



Bourdon tube pressure gauges for industrial applications with electrical contact type D4



Benefits

- Robust stainless steel housing
- Excellent readability
- Up to three switching contacts
- Available with MK, EK, IK

Application

For gaseous and liquid media which are not highly viscous, do not crystallise and do not attack copper alloys.

Technical specifications

Type
D4

Nominal size
100

Accuracy class (EN 837-1/6)
1,0

Ranges (EN 837-1/5)
See ordering table

Application area

Static load

≤ 600 bar: Full scale value
> 600 bar: ¾ x full scale value

Dynamic load

≤ 600 bar: 0.9 x full scale value
> 600 bar: ¾ x full scale value

Short-term

≤ 600 bar: 1.3 x full scale value
> 600 bar: Full scale value

Inductive contact (IK)

Magnetic spring contact (MK)

Minimum range* (in bar) at nominal size

Contact

IK Single: 1 bar

IK dual: 1 bar

MK Single: 1.6 bar

MK dual: 1.6 bar

Operating temperature range

Medium: Max. 60 °C

Ambient: -20/+60 °C

Temperature performance

Indication error when the temperature of the measuring system deviates from the normal temperature of 20 °C:
of full scale value

Degree of protection

IP 54 (EN 60529)



Standard version

Connection

Brass, bottom

Electrical connection

Cable gland M12 x 1.5

Cable 1 m

Measuring element

Bourdon tube

≤ 60 bar: "C" type tube, Copper alloy

> 60 bar: Helical tube, stainless steel 316 Ti/316 L

Movement

Brass

Dial

Aluminium, white

Scaling black

Pointer

Aluminium, black

Housing

Stainless steel 304, with blow-out

Bayonet type bezel

Stainless steel 304

Window

Plastic (Makrolon)

Supply voltage

DC 5 – 25 V

Current input

≥ 2.1 mA

Operating temperature range

-20/+70 °C

Supply voltage

Max. AC/DC 250 V

Max. 1 A

Max. 0.6 A

Switch rating

Max. 50 VA, max. 30 W

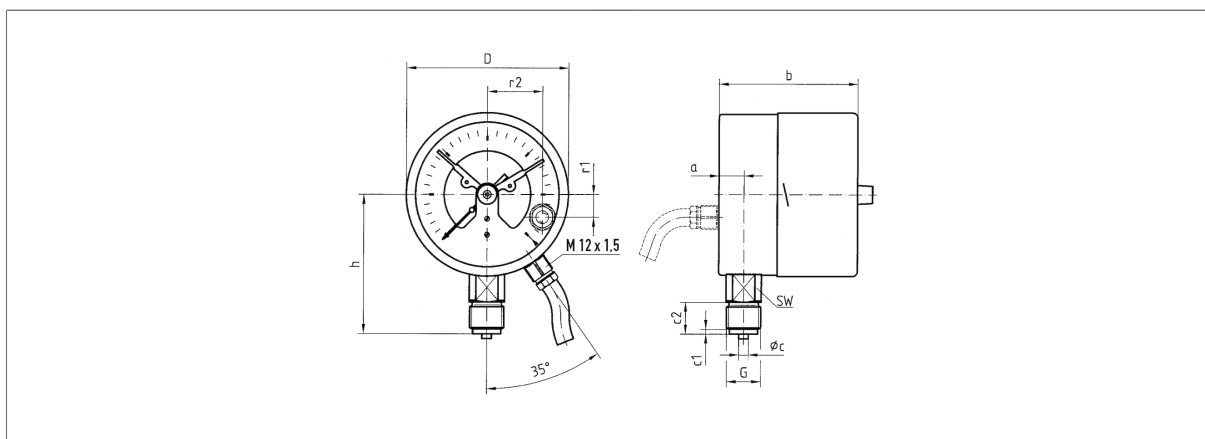
Operating temperature range

-20/+70 °C

Options

- Back flange
- 3-hole fixing, panel mounting bezel
- Damping screw
- Junction box
- Special scales
- Other process connections

Technical drawings



Dimensions (mm)

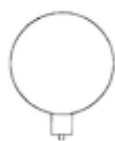
NG	a	b	b1	∅C	c1	c2	D	G	h	r1	r2	SW
100	15,6	87	90,5	6	3	20	101,5	G½B	86	14	34,5	22
160	17,5	97	100	6	3	20	161,5	G½B	116	14	34,5	22



Versions

RF100I IK1 D401

Housing \varnothing	Connection	Alignment	Housing	Accuracy class	Range	Type	Part no.
100 mm	G $\frac{1}{2}$ B	Bottom	Stainless steel 304	1,0	-1/0 bar	RF100I IK1 D401	87701401
100 mm	G $\frac{1}{2}$ B	Bottom	Stainless steel 304	1,0	-1/+0.6 bar	RF100I IK1 D401	87702401
100 mm	G $\frac{1}{2}$ B	Bottom	Stainless steel 304	1,0	-1/+1.5 bar	RF100I IK1 D401	87703401
100 mm	G $\frac{1}{2}$ B	Bottom	Stainless steel 304	1,0	-1/+3 bar	RF100I IK1 D401	87704401
100 mm	G $\frac{1}{2}$ B	Bottom	Stainless steel 304	1,0	-1/+5 bar	RF100I IK1 D401	87705401
100 mm	G $\frac{1}{2}$ B	Bottom	Stainless steel 304	1,0	-1/+9 bar	RF100I IK1 D401	87706401
100 mm	G $\frac{1}{2}$ B	Bottom	Stainless steel 304	1,0	-1/+15 bar	RF100I IK1 D401	87707401
100 mm	G $\frac{1}{2}$ B	Bottom	Stainless steel 304	1,0	0/0.6 bar	RF100I IK1 D401	87709401
100 mm	G $\frac{1}{2}$ B	Bottom	Stainless steel 304	1,0	0/1 bar	RF100I IK1 D401	87710401
100 mm	G $\frac{1}{2}$ B	Bottom	Stainless steel 304	1,0	0/1.6 bar	RF100I IK1 D401	87711401
100 mm	G $\frac{1}{2}$ B	Bottom	Stainless steel 304	1,0	0/2.5 bar	RF100I IK1 D401	87712401
100 mm	G $\frac{1}{2}$ B	Bottom	Stainless steel 304	1,0	0/4 bar	RF100I IK1 D401	87713401
100 mm	G $\frac{1}{2}$ B	Bottom	Stainless steel 304	1,0	0/6 bar	RF100I IK1 D401	87714401
100 mm	G $\frac{1}{2}$ B	Bottom	Stainless steel 304	1,0	0/10 bar	RF100I IK1 D401	87715401
100 mm	G $\frac{1}{2}$ B	Bottom	Stainless steel 304	1,0	0/16 bar	RF100I IK1 D401	87716401
100 mm	G $\frac{1}{2}$ B	Bottom	Stainless steel 304	1,0	0/25 bar	RF100I IK1 D401	87717401
100 mm	G $\frac{1}{2}$ B	Bottom	Stainless steel 304	1,0	0/40 bar	RF100I IK1 D401	87718401
100 mm	G $\frac{1}{2}$ B	Bottom	Stainless steel 304	1,0	0/60 bar	RF100I IK1 D401	87719401
100 mm	G $\frac{1}{2}$ B	Bottom	Stainless steel 304	1,0	0/100 bar	RF100I IK1 D401	87720401
100 mm	G $\frac{1}{2}$ B	Bottom	Stainless steel 304	1,0	0/160 bar	RF100I IK1 D401	87721401
100 mm	G $\frac{1}{2}$ B	Bottom	Stainless steel 304	1,0	0/250 bar	RF100I IK1 D401	87722401
100 mm	G $\frac{1}{2}$ B	Bottom	Stainless steel 304	1,0	0/400 bar	RF100I IK1 D401	87723401
100 mm	G $\frac{1}{2}$ B	Bottom	Stainless steel 304	1,0	0/600 bar	RF100I IK1 D401	87724401
100 mm	G $\frac{1}{2}$ B	Bottom	Stainless steel 304	1,0	0/1,000 bar	RF100I IK1 D401	87725401

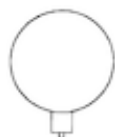


Blue part no. = in-stock items



RF100I IK2 D401

Housing \varnothing	Connection	Alignment	Housing	Accuracy class	Range	Type	Part no.
100 mm	G $\frac{1}{2}$ B	Bottom	Stainless steel 304	1,0	-1/0 bar	RF100I IK2 D401	87751401
100 mm	G $\frac{1}{2}$ B	Bottom	Stainless steel 304	1,0	-1/+0.6 bar	RF100I IK2 D401	87752401
100 mm	G $\frac{1}{2}$ B	Bottom	Stainless steel 304	1,0	-1/+1.5 bar	RF100I IK2 D401	87753401
100 mm	G $\frac{1}{2}$ B	Bottom	Stainless steel 304	1,0	-1/+3 bar	RF100I IK2 D401	87754401
100 mm	G $\frac{1}{2}$ B	Bottom	Stainless steel 304	1,0	-1/+5 bar	RF100I IK2 D401	87755401
100 mm	G $\frac{1}{2}$ B	Bottom	Stainless steel 304	1,0	-1/+9 bar	RF100I IK2 D401	87756401
100 mm	G $\frac{1}{2}$ B	Bottom	Stainless steel 304	1,0	-1/+15 bar	RF100I IK2 D401	87757401
100 mm	G $\frac{1}{2}$ B	Bottom	Stainless steel 304	1,0	0/0.6 bar	RF100I IK2 D401	87759401
100 mm	G $\frac{1}{2}$ B	Bottom	Stainless steel 304	1,0	0/1 bar	RF100I IK2 D401	87760401
100 mm	G $\frac{1}{2}$ B	Bottom	Stainless steel 304	1,0	0/1.6 bar	RF100I IK2 D401	87761401
100 mm	G $\frac{1}{2}$ B	Bottom	Stainless steel 304	1,0	0/2.5 bar	RF100I IK2 D401	87762401
100 mm	G $\frac{1}{2}$ B	Bottom	Stainless steel 304	1,0	0/4 bar	RF100I IK2 D401	87763401
100 mm	G $\frac{1}{2}$ B	Bottom	Stainless steel 304	1,0	0/6 bar	RF100I IK2 D401	87764401
100 mm	G $\frac{1}{2}$ B	Bottom	Stainless steel 304	1,0	0/10 bar	RF100I IK2 D401	87765401
100 mm	G $\frac{1}{2}$ B	Bottom	Stainless steel 304	1,0	0/16 bar	RF100I IK2 D401	87766401
100 mm	G $\frac{1}{2}$ B	Bottom	Stainless steel 304	1,0	0/25 bar	RF100I IK2 D401	87767401
100 mm	G $\frac{1}{2}$ B	Bottom	Stainless steel 304	1,0	0/40 bar	RF100I IK2 D401	87768401
100 mm	G $\frac{1}{2}$ B	Bottom	Stainless steel 304	1,0	0/60 bar	RF100I IK2 D401	87769401
100 mm	G $\frac{1}{2}$ B	Bottom	Stainless steel 304	1,0	0/100 bar	RF100I IK2 D401	87770401
100 mm	G $\frac{1}{2}$ B	Bottom	Stainless steel 304	1,0	0/160 bar	RF100I IK2 D401	87771401
100 mm	G $\frac{1}{2}$ B	Bottom	Stainless steel 304	1,0	0/250 bar	RF100I IK2 D401	87772401
100 mm	G $\frac{1}{2}$ B	Bottom	Stainless steel 304	1,0	0/400 bar	RF100I IK2 D401	87773401
100 mm	G $\frac{1}{2}$ B	Bottom	Stainless steel 304	1,0	0/600 bar	RF100I IK2 D401	87774401
100 mm	G $\frac{1}{2}$ B	Bottom	Stainless steel 304	1,0	0/1,000 bar	RF100I IK2 D401	87775401

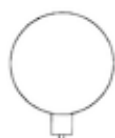


Blue part no. = in-stock items



RF100I MK1 D401

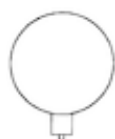
Housing \varnothing	Connection	Alignment	Housing	Accuracy class	Range	Type	Part no.
100 mm	G $\frac{1}{2}$ B	Bottom	Stainless steel 304	1,0	-1/+0.6 bar	RF100I MK1 D401	87602401
100 mm	G $\frac{1}{2}$ B	Bottom	Stainless steel 304	1,0	-1/+1.5 bar	RF100I MK1 D401	87603401
100 mm	G $\frac{1}{2}$ B	Bottom	Stainless steel 304	1,0	-1/+3 bar	RF100I MK1 D401	87604401
100 mm	G $\frac{1}{2}$ B	Bottom	Stainless steel 304	1,0	-1/+5 bar	RF100I MK1 D401	87605401
100 mm	G $\frac{1}{2}$ B	Bottom	Stainless steel 304	1,0	-1/+9 bar	RF100I MK1 D401	87606401
100 mm	G $\frac{1}{2}$ B	Bottom	Stainless steel 304	1,0	-1/+15 bar	RF100I MK1 D401	87607401
100 mm	G $\frac{1}{2}$ B	Bottom	Stainless steel 304	1,0	0/1.6 bar	RF100I MK1 D401	87611401
100 mm	G $\frac{1}{2}$ B	Bottom	Stainless steel 304	1,0	0/2.5 bar	RF100I MK1 D401	87612401
100 mm	G $\frac{1}{2}$ B	Bottom	Stainless steel 304	1,0	0/4 bar	RF100I MK1 D401	87613401
100 mm	G $\frac{1}{2}$ B	Bottom	Stainless steel 304	1,0	0/6 bar	RF100I MK1 D401	87614401
100 mm	G $\frac{1}{2}$ B	Bottom	Stainless steel 304	1,0	0/10 bar	RF100I MK1 D401	87615401
100 mm	G $\frac{1}{2}$ B	Bottom	Stainless steel 304	1,0	0/16 bar	RF100I MK1 D401	87616401
100 mm	G $\frac{1}{2}$ B	Bottom	Stainless steel 304	1,0	0/25 bar	RF100I MK1 D401	87617401
100 mm	G $\frac{1}{2}$ B	Bottom	Stainless steel 304	1,0	0/40 bar	RF100I MK1 D401	87618401
100 mm	G $\frac{1}{2}$ B	Bottom	Stainless steel 304	1,0	0/60 bar	RF100I MK1 D401	87619401
100 mm	G $\frac{1}{2}$ B	Bottom	Stainless steel 304	1,0	0/100 bar	RF100I MK1 D401	87620401
100 mm	G $\frac{1}{2}$ B	Bottom	Stainless steel 304	1,0	0/160 bar	RF100I MK1 D401	87621401
100 mm	G $\frac{1}{2}$ B	Bottom	Stainless steel 304	1,0	0/250 bar	RF100I MK1 D401	87622401
100 mm	G $\frac{1}{2}$ B	Bottom	Stainless steel 304	1,0	0/400 bar	RF100I MK1 D401	87623401
100 mm	G $\frac{1}{2}$ B	Bottom	Stainless steel 304	1,0	0/600 bar	RF100I MK1 D401	87624401
100 mm	G $\frac{1}{2}$ B	Bottom	Stainless steel 304	1,0	0/1,000 bar	RF100I MK1 D401	87625401



Blue part no. = in-stock items

RF100I MK2 D401

Housing \varnothing	Connection	Alignment	Housing	Accuracy class	Range	Type	Part no.
100 mm	G $\frac{1}{2}$ B	Bottom	Stainless steel 304	1,0	-1/+0.6 bar	RF100I MK2 D401	87652401
100 mm	G $\frac{1}{2}$ B	Bottom	Stainless steel 304	1,0	-1/+1.5 bar	RF100I MK2 D401	87653401
100 mm	G $\frac{1}{2}$ B	Bottom	Stainless steel 304	1,0	-1/+3 bar	RF100I MK2 D401	87654401
100 mm	G $\frac{1}{2}$ B	Bottom	Stainless steel 304	1,0	-1/+5 bar	RF100I MK2 D401	87655401



Blue part no. = in-stock items



Housing Ø	Connection	Alignment	Housing	Accuracy class	Range	Type	Part no.
100 mm	G½B	Bottom	Stainless steel 304	1,0	-1/+9 bar	RF100I MK2 D401	87656401
100 mm	G½B	Bottom	Stainless steel 304	1,0	-1/+15 bar	RF100I MK2 D401	87657401
100 mm	G½B	Bottom	Stainless steel 304	1,0	0/1.6 bar	RF100I MK2 D401	87661401
100 mm	G½B	Bottom	Stainless steel 304	1,0	0/2.5 bar	RF100I MK2 D401	87662401
100 mm	G½B	Bottom	Stainless steel 304	1,0	0/4 bar	RF100I MK2 D401	87663401
100 mm	G½B	Bottom	Stainless steel 304	1,0	0/6 bar	RF100I MK2 D401	87664401
100 mm	G½B	Bottom	Stainless steel 304	1,0	0/10 bar	RF100I MK2 D401	87665401
100 mm	G½B	Bottom	Stainless steel 304	1,0	0/16 bar	RF100I MK2 D401	87666401
100 mm	G½B	Bottom	Stainless steel 304	1,0	0/25 bar	RF100I MK2 D401	87667401
100 mm	G½B	Bottom	Stainless steel 304	1,0	0/40 bar	RF100I MK2 D401	87668401
100 mm	G½B	Bottom	Stainless steel 304	1,0	0/60 bar	RF100I MK2 D401	87669401
100 mm	G½B	Bottom	Stainless steel 304	1,0	0/100 bar	RF100I MK2 D401	87670401
100 mm	G½B	Bottom	Stainless steel 304	1,0	0/160 bar	RF100I MK2 D401	87671401
100 mm	G½B	Bottom	Stainless steel 304	1,0	0/250 bar	RF100I MK2 D401	87672401
100 mm	G½B	Bottom	Stainless steel 304	1,0	0/400 bar	RF100I MK2 D401	87673401
100 mm	G½B	Bottom	Stainless steel 304	1,0	0/600 bar	RF100I MK2 D401	87674401
100 mm	G½B	Bottom	Stainless steel 304	1,0	0/1,000 bar	RF100I MK2 D401	87675401

Blue part no. = in-stock items