



Standard Bourdon tube pressure gauges for refrigeration engineering type D8 with glycerine filling



Benefits

- Can be used in case of heavy vibrations and high, dynamic pressure loads
- Longer service life due to less wear and corrosion protection of the measuring system
- Various refrigerants measurable with multiple scales
- DNV- and GOSSTANDART-certified

Application

For simultaneous measurement of vapour pressures and temperatures in refrigeration engineering.
! For measuring gas or vapour, observe the table "Selection Criteria as per EN 837-2" (see appendix)!

Technical specifications

Type
D8

Nominal size
100

Accuracy class (EN 837-1/6)
1,0

Application area

Static load: $\frac{1}{4}$ x full scale value
Dynamic load: $\frac{2}{3}$ x full scale value
Short-term: Full scale value

Standard version

Connection

Stainless steel 316 Ti/316 L, bottom or bottom back
G $\frac{1}{2}$ B

Measuring element

Bourdon tube, stainless steel 316 Ti/316 L
"C" type tube

Movement

Brass

Dial

Aluminium, white
Black

Operating temperature range

Ambient: -20/+60 °C

Temperature performance

Indication error when the temperature of the measuring system deviates from the normal temperature of 20 °C:
of full scale value

Degree of protection

IP 54 (EN 60529)

Pointer

Aluminium, black

Housing

Stainless steel 304, with blow-out

Crimped bezel

Stainless steel 304

Window

Plastic

Filling liquid

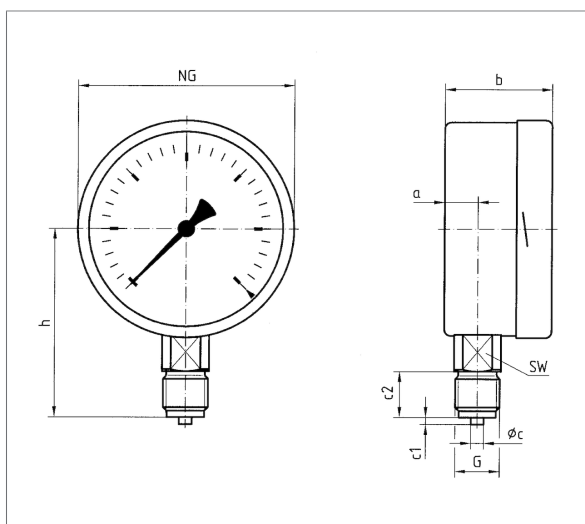
Glycerine (99.5 %)



Options

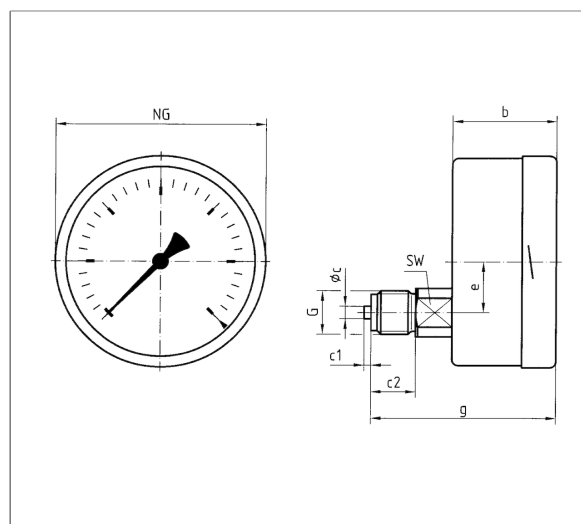
- Back flange
- Clamp fixing
- Damping screw
- Special scales
- Other process connections

Technical drawings



Dimensions (mm)

NG	a	b	∅c	c1	c2	G	h	SW
100	15,6	49	6	3	20	G½B	86	22



Dimensions (mm)

NG	b	∅c	c1	c2	e	g	G	SW
100	49	6	3	20	26,5	81	G½B	22

Versions

RF100KTGly D802

	Housing ∅	Connection	Alignment	Housing	Accuracy class	Type	Part no.
	100 mm	G½B	Bottom	Stainless steel 304	1,0	RF100KTGly D802	85231802
	100 mm	G½B	Bottom	Stainless steel 304	1,0	RF100KTGly D802	85232802
	100 mm	G½B	Bottom	Stainless steel 304	1,0	RF100KTGly D802	85233802

Blue part no. = in-stock items

RF100KTGly D812

	Housing ∅	Connection	Alignment	Housing	Accuracy class	Type	Part no.
	100 mm	G½B	Bottom back	Stainless steel 304	1,0	RF100KTGly D812	85231812
	100 mm	G½B	Bottom back	Stainless steel 304	1,0	RF100KTGly D812	85232812
	100 mm	G½B	Bottom back	Stainless steel 304	1,0	RF100KTGly D812	85233812

Blue part no. = in-stock items