



Bourdon tube pressure gauges for chemical applications Type D7 with glycerine filling



Benefits

- For chemical and process engineering applications
- Measuring system fully welded to housing
- Extremely robust design
- Can be used in case of heavy vibrations and high, dynamic pressure loads
- Tightness-tested with helium
- DNV- and GOSSTANDART-certified
- ATEX version (optional)

Application

For corrosive gaseous and liquid media which are not highly viscous and do not crystallise; suitable for corrosive environments. For measurements in areas with high vibration levels and high, dynamic pressure loads.

! For measuring gas or vapour, observe the table "Selection Criteria as per EN 837-2" (see appendix)!

Technical specifications

Type

D7

Nominal size

40 – 50 – 63

Accuracy class (EN 837-1/6)

1,6

2,5

Ranges (EN 837-1/5)

See ordering table

Application area

Static load: $\frac{3}{4}$ x full scale value

Dynamic load: $\frac{2}{3}$ x full scale value

Short-term: Full scale value

Operating temperature range

Medium: Max. 100 °C

Ambient: -20/+60 °C

Temperature performance

Indication error when the temperature of the measuring system deviates from the normal temperature of 20 °C:

of full scale value

Degree of protection

IP 54 (EN 60529)

IP 65 (EN 60529)



Standard version

Connection

Stainless steel 316 L, bottom, centre back or bottom back

Measuring element

Bourdon tube, stainless steel 316 Ti/316

L

≤ 60 bar: "C" type tube

> 60 bar: Helical tube

Tightness-tested with helium

Movement

Stainless steel

Dial

Aluminium, white

Scaling black

Pointer

Aluminium, black

Housing

Stainless steel 304, with blow-out

Crimped bezel

Stainless steel 304

Window

NG 40: Plastic (PMMA)

NG 50: Plastic

NG 63: Laminated safety glass

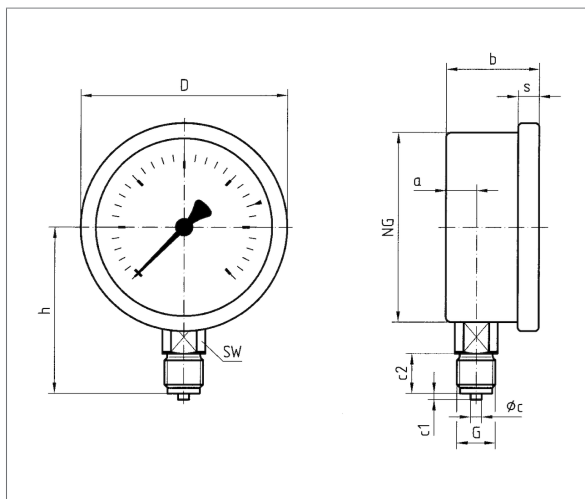
Filling liquid

Glycerine (99.5 %)

Options

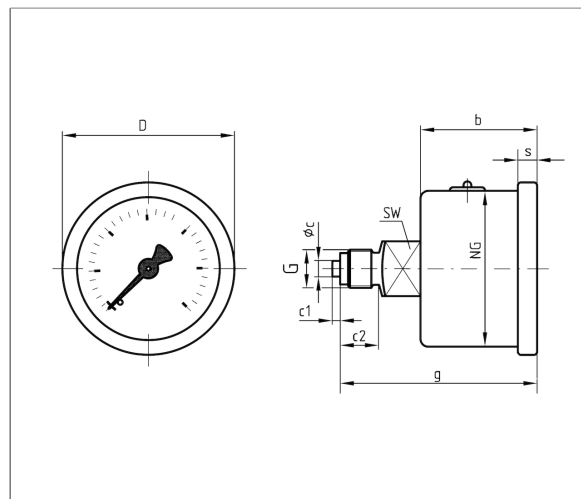
- Panel mounting bezel
- Clamp fixing
- Special scales
- Other process connections

Technical drawings



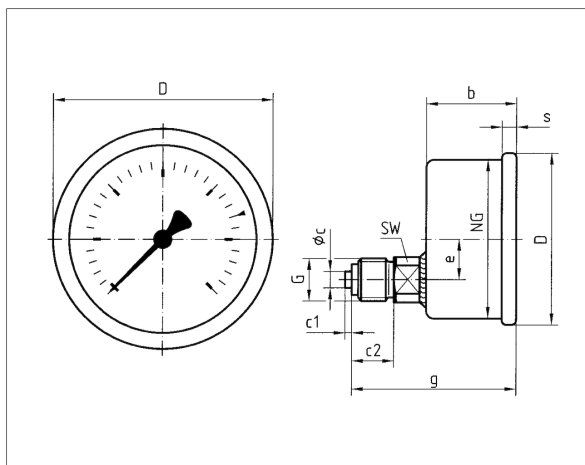
Dimensions (mm)

NG	a	b	∅c	c1	c2	D	G	h	s	SW
50	10,5	28	5	2	13	53	G $\frac{1}{4}$ B	46	4,5	14
63	11,5	32	5	2	13	68	G $\frac{1}{4}$ B	53	7	14



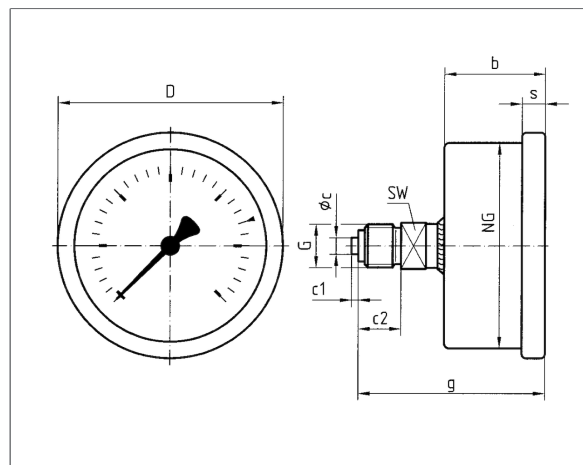
Dimensions (mm)

NG	b	∅c	c1	c2	D	G	g	s	SW
40	30	4	2	10	44	G $\frac{1}{4}$ B	50	4,5	14



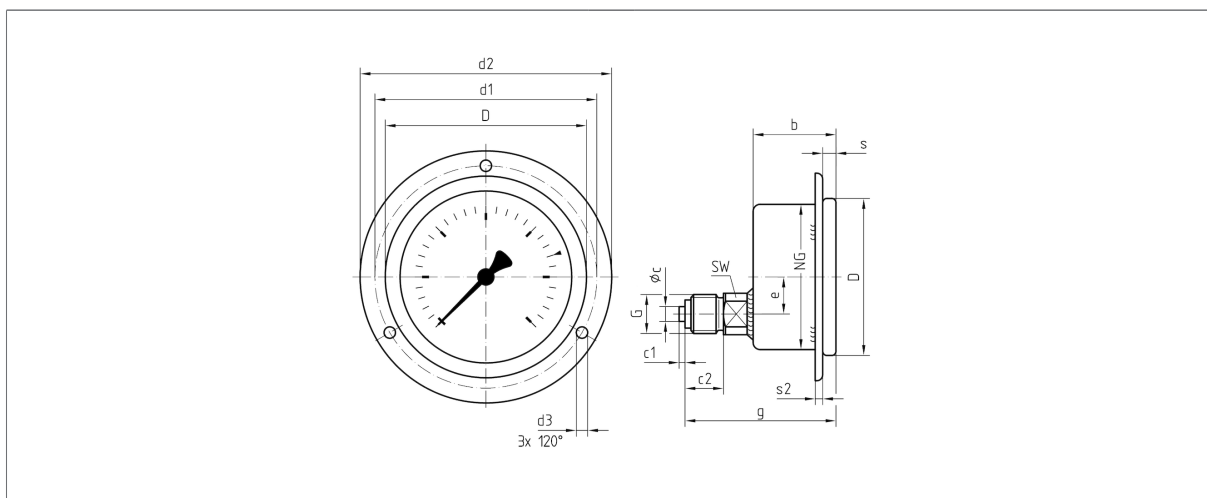
Dimensions (mm)

NG	b	∅c	c1	c2	D	e	G	g	s	SW
50	28	5	2	13	53	12,5	G¼B	51	4,5	14



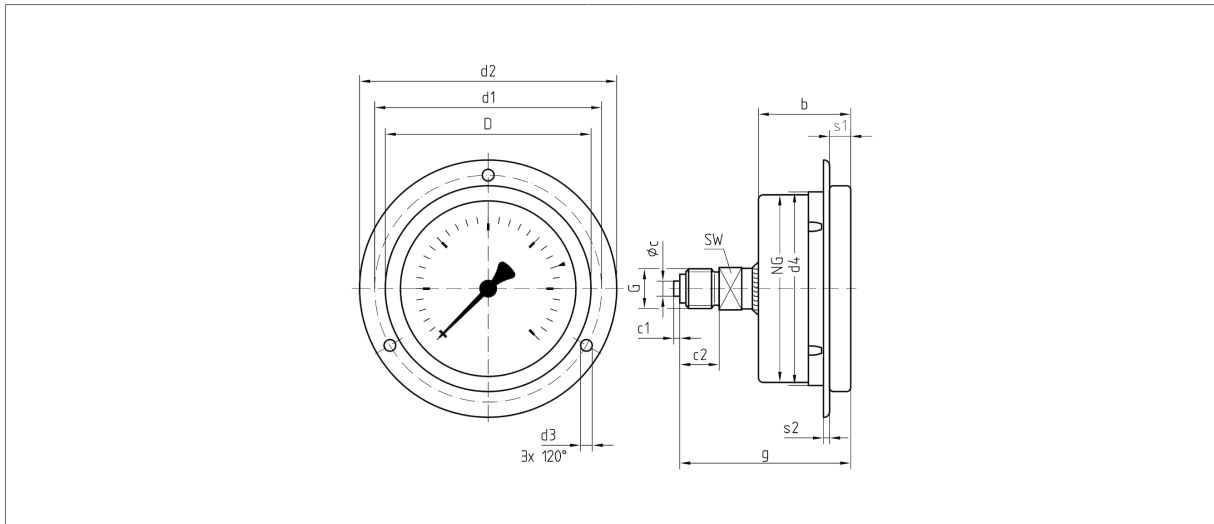
Dimensions (mm)

NG	b	∅c	c1	c2	D	G	g	s	SW
63	32	5	2	13	68	G¼B	56	7	14



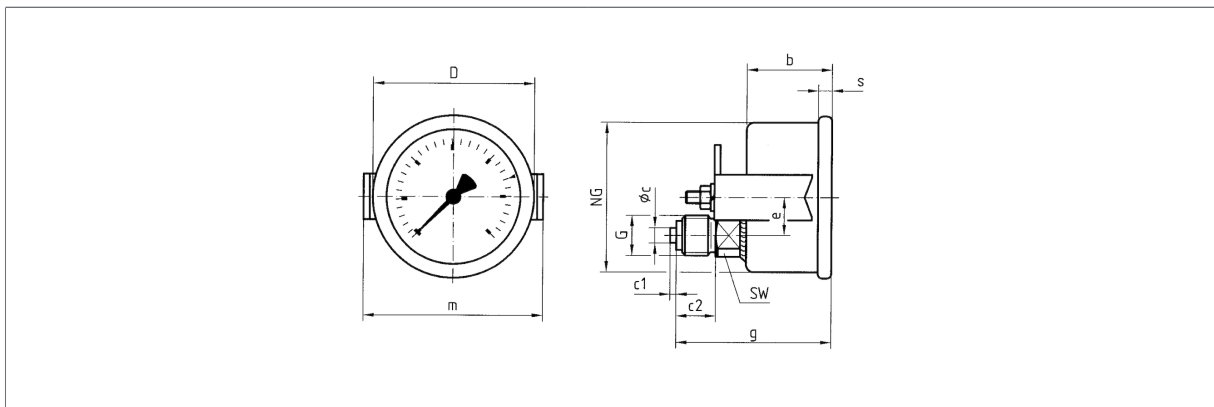
Dimensions (mm)

NG	b	∅c	c1	c2	d1*	d2*	d3*	D	e	G	g	s	s2	SW
50	28	5	2	13	60	70	3,6	53	12,5	G¼B	51	4,5	2,5	14



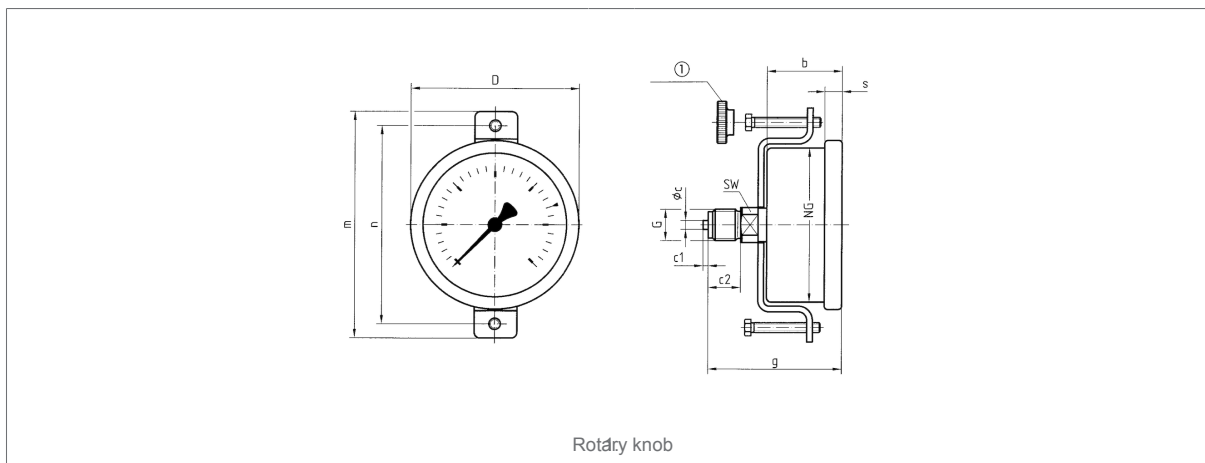
Dimensions (mm)

NG	b	∅c	c1	c2	d1*	d2*	d3*	d4	D	s1	s2	SW
63	32	5	2	13	75	85	3,6	64	68	5,5	2	14



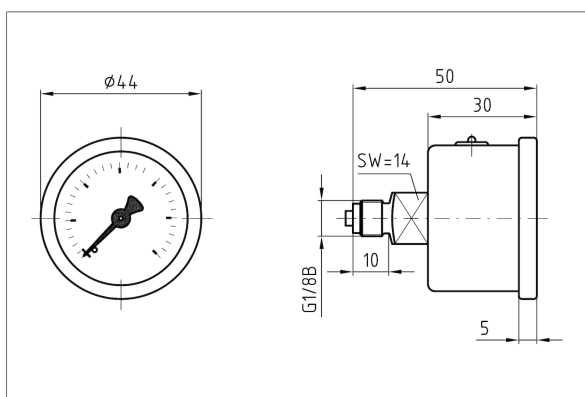
Dimensions (mm)

NG	b	∅c	c1	c2	D	e	G	g	m	s	SW
50	28	5	2	13	53	12,5	G ¹ / ₄ B	51	59	4,5	14



Dimensions (mm)

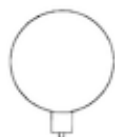
NG	b	∅c	c1	c2	D	G	g	m	n	s	SW
63	32	5	2	13	68	G¼B	56	94	82	7	14



Versions

RF50ChGly D702

Housing ∅	Connection	Alignment	Housing	Accuracy class	Range	Type	Part no.
50 mm	G¼B	Bottom	Stainless steel 304	1,6	-1/0 bar	RF50ChGly D702	85051702
50 mm	G¼B	Bottom	Stainless steel 304	1,6	-1/+0.6 bar	RF50ChGly D702	85052702
50 mm	G¼B	Bottom	Stainless steel 304	1,6	-1/+1.5 bar	RF50ChGly D702	85053702
50 mm	G¼B	Bottom	Stainless steel 304	1,6	-1/+3 bar	RF50ChGly D702	85054702
50 mm	G¼B	Bottom	Stainless steel 304	1,6	-1/+5 bar	RF50ChGly D702	85055702
50 mm	G¼B	Bottom	Stainless steel 304	1,6	-1/+9 bar	RF50ChGly D702	85056702
50 mm	G¼B	Bottom	Stainless steel 304	1,6	-1/+15 bar	RF50ChGly D702	85057702
50 mm	G¼B	Bottom	Stainless steel 304	1,6	0/0.6 bar	RF50ChGly D702	85059702
50 mm	G¼B	Bottom	Stainless steel 304	1,6	0/1 bar	RF50ChGly D702	85060702



Blue part no. = in-stock items

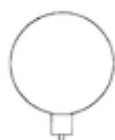


Housing \varnothing	Connection	Alignment	Housing	Accuracy class	Range	Type	Part no.
50 mm	G $\frac{1}{4}$ B	Bottom	Stainless steel 304	1,6	0/1.6 bar	RF50ChGly D702	85061702
50 mm	G $\frac{1}{4}$ B	Bottom	Stainless steel 304	1,6	0/2.5 bar	RF50ChGly D702	85062702
50 mm	G $\frac{1}{4}$ B	Bottom	Stainless steel 304	1,6	0/4 bar	RF50ChGly D702	85063702
50 mm	G $\frac{1}{4}$ B	Bottom	Stainless steel 304	1,6	0/6 bar	RF50ChGly D702	85064702
50 mm	G $\frac{1}{4}$ B	Bottom	Stainless steel 304	1,6	0/10 bar	RF50ChGly D702	85065702
50 mm	G $\frac{1}{4}$ B	Bottom	Stainless steel 304	1,6	0/16 bar	RF50ChGly D702	85066702
50 mm	G $\frac{1}{4}$ B	Bottom	Stainless steel 304	1,6	0/25 bar	RF50ChGly D702	85067702
50 mm	G $\frac{1}{4}$ B	Bottom	Stainless steel 304	1,6	0/40 bar	RF50ChGly D702	85068702
50 mm	G $\frac{1}{4}$ B	Bottom	Stainless steel 304	1,6	0/60 bar	RF50ChGly D702	85069702
50 mm	G $\frac{1}{4}$ B	Bottom	Stainless steel 304	1,6	0/100 bar	RF50ChGly D702	85070702
50 mm	G $\frac{1}{4}$ B	Bottom	Stainless steel 304	1,6	0/160 bar	RF50ChGly D702	85071702
50 mm	G $\frac{1}{4}$ B	Bottom	Stainless steel 304	1,6	0/250 bar	RF50ChGly D702	85072702
50 mm	G $\frac{1}{4}$ B	Bottom	Stainless steel 304	1,6	0/400 bar	RF50ChGly D702	85073702
50 mm	G $\frac{1}{4}$ B	Bottom	Stainless steel 304	1,6	0/600 bar	RF50ChGly D702	85074702

Blue part no. = in-stock items

RF63ChGly D702

Housing \varnothing	Connection	Alignment	Housing	Accuracy class	Range	Type	Part no.
63 mm	G $\frac{1}{4}$ B	Bottom	Stainless steel 304	1,6	-1/0 bar	RF63ChGly D702	85101702
63 mm	G $\frac{1}{4}$ B	Bottom	Stainless steel 304	1,6	-1/+0.6 bar	RF63ChGly D702	85102702
63 mm	G $\frac{1}{4}$ B	Bottom	Stainless steel 304	1,6	-1/+1.5 bar	RF63ChGly D702	85103702
63 mm	G $\frac{1}{4}$ B	Bottom	Stainless steel 304	1,6	-1/+3 bar	RF63ChGly D702	85104702
63 mm	G $\frac{1}{4}$ B	Bottom	Stainless steel 304	1,6	-1/+5 bar	RF63ChGly D702	85105702
63 mm	G $\frac{1}{4}$ B	Bottom	Stainless steel 304	1,6	-1/+9 bar	RF63ChGly D702	85106702
63 mm	G $\frac{1}{4}$ B	Bottom	Stainless steel 304	1,6	-1/+15 bar	RF63ChGly D702	85107702
63 mm	G $\frac{1}{4}$ B	Bottom	Stainless steel 304	1,6	0/0.6 bar	RF63ChGly D702	85109702
63 mm	G $\frac{1}{4}$ B	Bottom	Stainless steel 304	1,6	0/1 bar	RF63ChGly D702	85110702
63 mm	G $\frac{1}{4}$ B	Bottom	Stainless steel 304	1,6	0/1.6 bar	RF63ChGly D702	85111702
63 mm	G $\frac{1}{4}$ B	Bottom	Stainless steel 304	1,6	0/2.5 bar	RF63ChGly D702	85112702
63 mm	G $\frac{1}{4}$ B	Bottom	Stainless steel 304	1,6	0/4 bar	RF63ChGly D702	85113702



Blue part no. = in-stock items



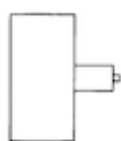
Housing \varnothing	Connection	Alignment	Housing	Accuracy class	Range	Type	Part no.
63 mm	G $\frac{1}{4}$ B	Bottom	Stainless steel 304	1,6	0/6 bar	RF63ChGly D702	85114702
63 mm	G $\frac{1}{4}$ B	Bottom	Stainless steel 304	1,6	0/10 bar	RF63ChGly D702	85115702
63 mm	G $\frac{1}{4}$ B	Bottom	Stainless steel 304	1,6	0/16 bar	RF63ChGly D702	85116702
63 mm	G $\frac{1}{4}$ B	Bottom	Stainless steel 304	1,6	0/25 bar	RF63ChGly D702	85117702
63 mm	G $\frac{1}{4}$ B	Bottom	Stainless steel 304	1,6	0/40 bar	RF63ChGly D702	85118702
63 mm	G $\frac{1}{4}$ B	Bottom	Stainless steel 304	1,6	0/60 bar	RF63ChGly D702	85119702
63 mm	G $\frac{1}{4}$ B	Bottom	Stainless steel 304	1,6	0/100 bar	RF63ChGly D702	85120702
63 mm	G $\frac{1}{4}$ B	Bottom	Stainless steel 304	1,6	0/160 bar	RF63ChGly D702	85121702
63 mm	G $\frac{1}{4}$ B	Bottom	Stainless steel 304	1,6	0/250 bar	RF63ChGly D702	85122702
63 mm	G $\frac{1}{4}$ B	Bottom	Stainless steel 304	1,6	0/400 bar	RF63ChGly D702	85123702
63 mm	G $\frac{1}{4}$ B	Bottom	Stainless steel 304	1,6	0/600 bar	RF63ChGly D702	85124702
63 mm	G $\frac{1}{4}$ B	Bottom	Stainless steel 304	1,6	0/1,000 bar	RF63ChGly D702	85125702

Blue part no. = in-stock items

RF40ChGly D712

Housing \varnothing	Connection	Alignment	Housing	Accuracy class	Range	Type	Part no.
40 mm	G $\frac{1}{4}$ B	Centre back	Stainless steel 304	2,5	0/1.6 bar	RF40ChGly D712	85011712
40 mm	G $\frac{1}{4}$ B	Centre back	Stainless steel 304	2,5	0/2.5 bar	RF40ChGly D712	85012712
40 mm	G $\frac{1}{4}$ B	Centre back	Stainless steel 304	2,5	0/4 bar	RF40ChGly D712	85013712
40 mm	G $\frac{1}{4}$ B	Centre back	Stainless steel 304	2,5	0/6 bar	RF40ChGly D712	85014712
40 mm	G $\frac{1}{4}$ B	Centre back	Stainless steel 304	2,5	0/10 bar	RF40ChGly D712	85015712
40 mm	G $\frac{1}{4}$ B	Centre back	Stainless steel 304	2,5	0/16 bar	RF40ChGly D712	85016712
40 mm	G $\frac{1}{4}$ B	Centre back	Stainless steel 304	2,5	0/25 bar	RF40ChGly D712	85017712
40 mm	G $\frac{1}{4}$ B	Centre back	Stainless steel 304	2,5	0/40 bar	RF40ChGly D712	85018712
40 mm	G $\frac{1}{4}$ B	Centre back	Stainless steel 304	2,5	0/60 bar	RF40ChGly D712	85019712
40 mm	G $\frac{1}{4}$ B	Centre back	Stainless steel 304	2,5	0/100 bar	RF40ChGly D712	85020712
40 mm	G $\frac{1}{4}$ B	Centre back	Stainless steel 304	2,5	0/160 bar	RF40ChGly D712	85021712
40 mm	G $\frac{1}{4}$ B	Centre back	Stainless steel 304	2,5	0/250 bar	RF40ChGly D712	85022712
40 mm	G $\frac{1}{4}$ B	Centre back	Stainless steel 304	2,5	0/400 bar	RF40ChGly D712	85023712

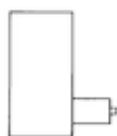
Blue part no. = in-stock items





RF50ChGly D712

Housing \varnothing	Connection	Alignment	Housing	Accuracy class	Range	Type	Part no.
50 mm	G $\frac{1}{4}$ B	Bottom back	Stainless steel 304	1,6	-1/0 bar	RF50ChGly D712	85051712
50 mm	G $\frac{1}{4}$ B	Bottom back	Stainless steel 304	1,6	-1/+0.6 bar	RF50ChGly D712	85052712
50 mm	G $\frac{1}{4}$ B	Bottom back	Stainless steel 304	1,6	-1/+1.5 bar	RF50ChGly D712	85053712
50 mm	G $\frac{1}{4}$ B	Bottom back	Stainless steel 304	1,6	-1/+3 bar	RF50ChGly D712	85054712
50 mm	G $\frac{1}{4}$ B	Bottom back	Stainless steel 304	1,6	-1/+5 bar	RF50ChGly D712	85055712
50 mm	G $\frac{1}{4}$ B	Bottom back	Stainless steel 304	1,6	-1/+9 bar	RF50ChGly D712	85056712
50 mm	G $\frac{1}{4}$ B	Bottom back	Stainless steel 304	1,6	-1/+15 bar	RF50ChGly D712	85057712
50 mm	G $\frac{1}{4}$ B	Bottom back	Stainless steel 304	1,6	0/0.6 bar	RF50ChGly D712	85059712
50 mm	G $\frac{1}{4}$ B	Bottom back	Stainless steel 304	1,6	0/1 bar	RF50ChGly D712	85060712
50 mm	G $\frac{1}{4}$ B	Bottom back	Stainless steel 304	1,6	0/1.6 bar	RF50ChGly D712	85061712
50 mm	G $\frac{1}{4}$ B	Bottom back	Stainless steel 304	1,6	0/2.5 bar	RF50ChGly D712	85062712
50 mm	G $\frac{1}{4}$ B	Bottom back	Stainless steel 304	1,6	0/4 bar	RF50ChGly D712	85063712
50 mm	G $\frac{1}{4}$ B	Bottom back	Stainless steel 304	1,6	0/6 bar	RF50ChGly D712	85064712
50 mm	G $\frac{1}{4}$ B	Bottom back	Stainless steel 304	1,6	0/10 bar	RF50ChGly D712	85065712
50 mm	G $\frac{1}{4}$ B	Bottom back	Stainless steel 304	1,6	0/16 bar	RF50ChGly D712	85066712
50 mm	G $\frac{1}{4}$ B	Bottom back	Stainless steel 304	1,6	0/25 bar	RF50ChGly D712	85067712
50 mm	G $\frac{1}{4}$ B	Bottom back	Stainless steel 304	1,6	0/40 bar	RF50ChGly D712	85068712
50 mm	G $\frac{1}{4}$ B	Bottom back	Stainless steel 304	1,6	0/60 bar	RF50ChGly D712	85069712
50 mm	G $\frac{1}{4}$ B	Bottom back	Stainless steel 304	1,6	0/100 bar	RF50ChGly D712	85070712
50 mm	G $\frac{1}{4}$ B	Bottom back	Stainless steel 304	1,6	0/160 bar	RF50ChGly D712	85071712
50 mm	G $\frac{1}{4}$ B	Bottom back	Stainless steel 304	1,6	0/250 bar	RF50ChGly D712	85072712
50 mm	G $\frac{1}{4}$ B	Bottom back	Stainless steel 304	1,6	0/400 bar	RF50ChGly D712	85073712
50 mm	G $\frac{1}{4}$ B	Bottom back	Stainless steel 304	1,6	0/600 bar	RF50ChGly D712	85074712

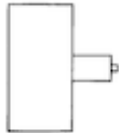


Blue part no. = in-stock items



RF63ChGly D712

Housing \varnothing	Connection	Alignment	Housing	Accuracy class	Range	Type	Part no.
63 mm	G $\frac{1}{4}$ B	Centre back	Stainless steel 304	1,6	-1/0 bar	RF63ChGly D712	85101712
63 mm	G $\frac{1}{4}$ B	Centre back	Stainless steel 304	1,6	-1/+0.6 bar	RF63ChGly D712	85102712
63 mm	G $\frac{1}{4}$ B	Centre back	Stainless steel 304	1,6	-1/+1.5 bar	RF63ChGly D712	85103712
63 mm	G $\frac{1}{4}$ B	Centre back	Stainless steel 304	1,6	-1/+3 bar	RF63ChGly D712	85104712
63 mm	G $\frac{1}{4}$ B	Centre back	Stainless steel 304	1,6	-1/+5 bar	RF63ChGly D712	85105712
63 mm	G $\frac{1}{4}$ B	Centre back	Stainless steel 304	1,6	-1/+9 bar	RF63ChGly D712	85106712
63 mm	G $\frac{1}{4}$ B	Centre back	Stainless steel 304	1,6	-1/+15 bar	RF63ChGly D712	85107712
63 mm	G $\frac{1}{4}$ B	Centre back	Stainless steel 304	1,6	0/0.6 bar	RF63ChGly D712	85109712
63 mm	G $\frac{1}{4}$ B	Centre back	Stainless steel 304	1,6	0/1 bar	RF63ChGly D712	85110712
63 mm	G $\frac{1}{4}$ B	Centre back	Stainless steel 304	1,6	0/1.6 bar	RF63ChGly D712	85111712
63 mm	G $\frac{1}{4}$ B	Centre back	Stainless steel 304	1,6	0/2.5 bar	RF63ChGly D712	85112712
63 mm	G $\frac{1}{4}$ B	Centre back	Stainless steel 304	1,6	0/4 bar	RF63ChGly D712	85113712
63 mm	G $\frac{1}{4}$ B	Centre back	Stainless steel 304	1,6	0/6 bar	RF63ChGly D712	85114712
63 mm	G $\frac{1}{4}$ B	Centre back	Stainless steel 304	1,6	0/10 bar	RF63ChGly D712	85115712
63 mm	G $\frac{1}{4}$ B	Centre back	Stainless steel 304	1,6	0/16 bar	RF63ChGly D712	85116712
63 mm	G $\frac{1}{4}$ B	Centre back	Stainless steel 304	1,6	0/25 bar	RF63ChGly D712	85117712
63 mm	G $\frac{1}{4}$ B	Centre back	Stainless steel 304	1,6	0/40 bar	RF63ChGly D712	85118712
63 mm	G $\frac{1}{4}$ B	Centre back	Stainless steel 304	1,6	0/60 bar	RF63ChGly D712	85119712
63 mm	G $\frac{1}{4}$ B	Centre back	Stainless steel 304	1,6	0/100 bar	RF63ChGly D712	85120712
63 mm	G $\frac{1}{4}$ B	Centre back	Stainless steel 304	1,6	0/160 bar	RF63ChGly D712	85121712
63 mm	G $\frac{1}{4}$ B	Centre back	Stainless steel 304	1,6	0/250 bar	RF63ChGly D712	85122712
63 mm	G $\frac{1}{4}$ B	Centre back	Stainless steel 304	1,6	0/400 bar	RF63ChGly D712	85123712
63 mm	G $\frac{1}{4}$ B	Centre back	Stainless steel 304	1,6	0/600 bar	RF63ChGly D712	85124712
63 mm	G $\frac{1}{4}$ B	Centre back	Stainless steel 304	1,6	0/1,000 bar	RF63ChGly D712	85125712



Blue part no. = in-stock items



RF50ChGly D732

Housing \varnothing	Connection	Alignment	Housing	Accuracy class	Range	Type	Part no.
50 mm	G $\frac{1}{4}$ B	Bottom back	Stainless steel 304	1,6	-1/0 bar	RF50ChGly D732	85052732
50 mm	G $\frac{1}{4}$ B	Bottom back	Stainless steel 304	1,6	-1/+0.6 bar	RF50ChGly D732	85051732
50 mm	G $\frac{1}{4}$ B	Bottom back	Stainless steel 304	1,6	-1/+1.5 bar	RF50ChGly D732	85053732
50 mm	G $\frac{1}{4}$ B	Bottom back	Stainless steel 304	1,6	-1/+3 bar	RF50ChGly D732	85054732
50 mm	G $\frac{1}{4}$ B	Bottom back	Stainless steel 304	1,6	-1/+5 bar	RF50ChGly D732	85055732
50 mm	G $\frac{1}{4}$ B	Bottom back	Stainless steel 304	1,6	-1/+9 bar	RF50ChGly D732	85056732
50 mm	G $\frac{1}{4}$ B	Bottom back	Stainless steel 304	1,6	-1/+15 bar	RF50ChGly D732	85057732
50 mm	G $\frac{1}{4}$ B	Bottom back	Stainless steel 304	1,6	0/0.6 bar	RF50ChGly D732	85059732
50 mm	G $\frac{1}{4}$ B	Bottom back	Stainless steel 304	1,6	0/1 bar	RF50ChGly D732	85060732
50 mm	G $\frac{1}{4}$ B	Bottom back	Stainless steel 304	1,6	0/1.6 bar	RF50ChGly D732	85061732
50 mm	G $\frac{1}{4}$ B	Bottom back	Stainless steel 304	1,6	0/2.5 bar	RF50ChGly D732	85062732
50 mm	G $\frac{1}{4}$ B	Bottom back	Stainless steel 304	1,6	0/4 bar	RF50ChGly D732	85063732
50 mm	G $\frac{1}{4}$ B	Bottom back	Stainless steel 304	1,6	0/6 bar	RF50ChGly D732	85064732
50 mm	G $\frac{1}{4}$ B	Bottom back	Stainless steel 304	1,6	0/10 bar	RF50ChGly D732	85065732
50 mm	G $\frac{1}{4}$ B	Bottom back	Stainless steel 304	1,6	0/16 bar	RF50ChGly D732	85066732
50 mm	G $\frac{1}{4}$ B	Bottom back	Stainless steel 304	1,6	0/25 bar	RF50ChGly D732	85067732
50 mm	G $\frac{1}{4}$ B	Bottom back	Stainless steel 304	1,6	0/40 bar	RF50ChGly D732	85068732
50 mm	G $\frac{1}{4}$ B	Bottom back	Stainless steel 304	1,6	0/60 bar	RF50ChGly D732	85069732
50 mm	G $\frac{1}{4}$ B	Bottom back	Stainless steel 304	1,6	0/100 bar	RF50ChGly D732	85070732
50 mm	G $\frac{1}{4}$ B	Bottom back	Stainless steel 304	1,6	0/160 bar	RF50ChGly D732	85071732
50 mm	G $\frac{1}{4}$ B	Bottom back	Stainless steel 304	1,6	0/250 bar	RF50ChGly D732	85072732
50 mm	G $\frac{1}{4}$ B	Bottom back	Stainless steel 304	1,6	0/400 bar	RF50ChGly D732	85073732
50 mm	G $\frac{1}{4}$ B	Bottom back	Stainless steel 304	1,6	0/600 bar	RF50ChGly D732	85074732

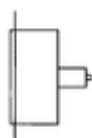


Blue part no. = in-stock items



RF63ChGly D732

Housing \varnothing	Connection	Alignment	Housing	Accuracy class	Range	Type	Part no.
63 mm	G $\frac{1}{4}$ B	Centre back	Stainless steel 304	1,6	-1/0 bar	RF63ChGly D732	85101732
63 mm	G $\frac{1}{4}$ B	Centre back	Stainless steel 304	1,6	-1/+0.6 bar	RF63ChGly D732	85102732
63 mm	G $\frac{1}{4}$ B	Centre back	Stainless steel 304	1,6	-1/+1.5 bar	RF63ChGly D732	85103732
63 mm	G $\frac{1}{4}$ B	Centre back	Stainless steel 304	1,6	-1/+3 bar	RF63ChGly D732	85104732
63 mm	G $\frac{1}{4}$ B	Centre back	Stainless steel 304	1,6	-1/+5 bar	RF63ChGly D732	85105732
63 mm	G $\frac{1}{4}$ B	Centre back	Stainless steel 304	1,6	-1/+9 bar	RF63ChGly D732	85106732
63 mm	G $\frac{1}{4}$ B	Centre back	Stainless steel 304	1,6	-1/+15 bar	RF63ChGly D732	85107732
63 mm	G $\frac{1}{4}$ B	Centre back	Stainless steel 304	1,6	0/0.6 bar	RF63ChGly D732	85109732
63 mm	G $\frac{1}{4}$ B	Centre back	Stainless steel 304	1,6	0/1 bar	RF63ChGly D732	85110732
63 mm	G $\frac{1}{4}$ B	Centre back	Stainless steel 304	1,6	0/1.6 bar	RF63ChGly D732	85111732
63 mm	G $\frac{1}{4}$ B	Centre back	Stainless steel 304	1,6	0/2.5 bar	RF63ChGly D732	85112732
63 mm	G $\frac{1}{4}$ B	Centre back	Stainless steel 304	1,6	0/4 bar	RF63ChGly D732	85113732
63 mm	G $\frac{1}{4}$ B	Centre back	Stainless steel 304	1,6	0/6 bar	RF63ChGly D732	85114732
63 mm	G $\frac{1}{4}$ B	Centre back	Stainless steel 304	1,6	0/10 bar	RF63ChGly D732	85115732
63 mm	G $\frac{1}{4}$ B	Centre back	Stainless steel 304	1,6	0/16 bar	RF63ChGly D732	85116732
63 mm	G $\frac{1}{4}$ B	Centre back	Stainless steel 304	1,6	0/25 bar	RF63ChGly D732	85117732
63 mm	G $\frac{1}{4}$ B	Centre back	Stainless steel 304	1,6	0/40 bar	RF63ChGly D732	85118732
63 mm	G $\frac{1}{4}$ B	Centre back	Stainless steel 304	1,6	0/60 bar	RF63ChGly D732	85119732
63 mm	G $\frac{1}{4}$ B	Centre back	Stainless steel 304	1,6	0/100 bar	RF63ChGly D732	85120732
63 mm	G $\frac{1}{4}$ B	Centre back	Stainless steel 304	1,6	0/160 bar	RF63ChGly D732	85121732
63 mm	G $\frac{1}{4}$ B	Centre back	Stainless steel 304	1,6	0/250 bar	RF63ChGly D732	85122732
63 mm	G $\frac{1}{4}$ B	Centre back	Stainless steel 304	1,6	0/400 bar	RF63ChGly D732	85123732
63 mm	G $\frac{1}{4}$ B	Centre back	Stainless steel 304	1,6	0/600 bar	RF63ChGly D732	85124732
63 mm	G $\frac{1}{4}$ B	Centre back	Stainless steel 304	1,6	0/1,000 bar	RF63ChGly D732	85125732

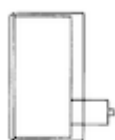


Blue part no. = in-stock items



RF50ChGly D752

Housing \varnothing	Connection	Alignment	Housing	Accuracy class	Range	Type	Part no.
50 mm	G $\frac{1}{4}$ B	Bottom back	Stainless steel 304	1,6	-1/0 bar	RF50ChGly D752	85051752
50 mm	G $\frac{1}{4}$ B	Bottom back	Stainless steel 304	1,6	-1/+0.6 bar	RF50ChGly D752	85052752
50 mm	G $\frac{1}{4}$ B	Bottom back	Stainless steel 304	1,6	-1/+1.5 bar	RF50ChGly D752	85053752
50 mm	G $\frac{1}{4}$ B	Bottom back	Stainless steel 304	1,6	-1/+3 bar	RF50ChGly D752	85054752
50 mm	G $\frac{1}{4}$ B	Bottom back	Stainless steel 304	1,6	-1/+5 bar	RF50ChGly D752	85055752
50 mm	G $\frac{1}{4}$ B	Bottom back	Stainless steel 304	1,6	-1/+9 bar	RF50ChGly D752	85056752
50 mm	G $\frac{1}{4}$ B	Bottom back	Stainless steel 304	1,6	-1/+15 bar	RF50ChGly D752	85057752
50 mm	G $\frac{1}{4}$ B	Bottom back	Stainless steel 304	1,6	0/0.6 bar	RF50ChGly D752	85059752
50 mm	G $\frac{1}{4}$ B	Bottom back	Stainless steel 304	1,6	0/1 bar	RF50ChGly D752	85060752
50 mm	G $\frac{1}{4}$ B	Bottom back	Stainless steel 304	1,6	0/1.6 bar	RF50ChGly D752	85061752
50 mm	G $\frac{1}{4}$ B	Bottom back	Stainless steel 304	1,6	0/2.5 bar	RF50ChGly D752	85062752
50 mm	G $\frac{1}{4}$ B	Bottom back	Stainless steel 304	1,6	0/4 bar	RF50ChGly D752	85063752
50 mm	G $\frac{1}{4}$ B	Bottom back	Stainless steel 304	1,6	0/6 bar	RF50ChGly D752	85064752
50 mm	G $\frac{1}{4}$ B	Bottom back	Stainless steel 304	1,6	0/10 bar	RF50ChGly D752	85065752
50 mm	G $\frac{1}{4}$ B	Bottom back	Stainless steel 304	1,6	0/16 bar	RF50ChGly D752	85066752
50 mm	G $\frac{1}{4}$ B	Bottom back	Stainless steel 304	1,6	0/25 bar	RF50ChGly D752	85067752
50 mm	G $\frac{1}{4}$ B	Bottom back	Stainless steel 304	1,6	0/40 bar	RF50ChGly D752	85068752
50 mm	G $\frac{1}{4}$ B	Bottom back	Stainless steel 304	1,6	0/60 bar	RF50ChGly D752	85069752
50 mm	G $\frac{1}{4}$ B	Bottom back	Stainless steel 304	1,6	0/100 bar	RF50ChGly D752	85070752
50 mm	G $\frac{1}{4}$ B	Bottom back	Stainless steel 304	1,6	0/160 bar	RF50ChGly D752	85071752
50 mm	G $\frac{1}{4}$ B	Bottom back	Stainless steel 304	1,6	0/250 bar	RF50ChGly D752	85072752
50 mm	G $\frac{1}{4}$ B	Bottom back	Stainless steel 304	1,6	0/400 bar	RF50ChGly D752	85073752
50 mm	G $\frac{1}{4}$ B	Bottom back	Stainless steel 304	1,6	0/600 bar	RF50ChGly D752	85074752

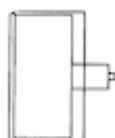


Blue part no. = in-stock items



RF63ChGly D752

Housing \varnothing	Connection	Alignment	Housing	Accuracy class	Range	Type	Part no.
63 mm	G $\frac{1}{4}$ B	Centre back	Stainless steel 304	1,6	-1/0 bar	RF63ChGly D752	85101752
63 mm	G $\frac{1}{4}$ B	Centre back	Stainless steel 304	1,6	-1/+0.6 bar	RF63ChGly D752	85102752
63 mm	G $\frac{1}{4}$ B	Centre back	Stainless steel 304	1,6	-1/+1.5 bar	RF63ChGly D752	85103752
63 mm	G $\frac{1}{4}$ B	Centre back	Stainless steel 304	1,6	-1/+3 bar	RF63ChGly D752	85104752
63 mm	G $\frac{1}{4}$ B	Centre back	Stainless steel 304	1,6	-1/+5 bar	RF63ChGly D752	85105752
63 mm	G $\frac{1}{4}$ B	Centre back	Stainless steel 304	1,6	-1/+9 bar	RF63ChGly D752	85106752
63 mm	G $\frac{1}{4}$ B	Centre back	Stainless steel 304	1,6	-1/+15 bar	RF63ChGly D752	85107752
63 mm	G $\frac{1}{4}$ B	Centre back	Stainless steel 304	1,6	0/0.6 bar	RF63ChGly D752	85109752
63 mm	G $\frac{1}{4}$ B	Centre back	Stainless steel 304	1,6	0/1 bar	RF63ChGly D752	85110752
63 mm	G $\frac{1}{4}$ B	Centre back	Stainless steel 304	1,6	0/1.6 bar	RF63ChGly D752	85111752
63 mm	G $\frac{1}{4}$ B	Centre back	Stainless steel 304	1,6	0/2.5 bar	RF63ChGly D752	85112752
63 mm	G $\frac{1}{4}$ B	Centre back	Stainless steel 304	1,6	0/4 bar	RF63ChGly D752	85113752
63 mm	G $\frac{1}{4}$ B	Centre back	Stainless steel 304	1,6	0/6 bar	RF63ChGly D752	85114752
63 mm	G $\frac{1}{4}$ B	Centre back	Stainless steel 304	1,6	0/10 bar	RF63ChGly D752	85115752
63 mm	G $\frac{1}{4}$ B	Centre back	Stainless steel 304	1,6	0/16 bar	RF63ChGly D752	85116752
63 mm	G $\frac{1}{4}$ B	Centre back	Stainless steel 304	1,6	0/25 bar	RF63ChGly D752	85117752
63 mm	G $\frac{1}{4}$ B	Centre back	Stainless steel 304	1,6	0/40 bar	RF63ChGly D752	85118752
63 mm	G $\frac{1}{4}$ B	Centre back	Stainless steel 304	1,6	0/60 bar	RF63ChGly D752	85119752
63 mm	G $\frac{1}{4}$ B	Centre back	Stainless steel 304	1,6	0/100 bar	RF63ChGly D752	85120752
63 mm	G $\frac{1}{4}$ B	Centre back	Stainless steel 304	1,6	0/160 bar	RF63ChGly D752	85121752
63 mm	G $\frac{1}{4}$ B	Centre back	Stainless steel 304	1,6	0/250 bar	RF63ChGly D752	85122752
63 mm	G $\frac{1}{4}$ B	Centre back	Stainless steel 304	1,6	0/400 bar	RF63ChGly D752	85123752
63 mm	G $\frac{1}{4}$ B	Centre back	Stainless steel 304	1,6	0/600 bar	RF63ChGly D752	85124752
63 mm	G $\frac{1}{4}$ B	Centre back	Stainless steel 304	1,6	0/1,000 bar	RF63ChGly D752	85125752



Blue part no. = in-stock items