



Standard Bourdon tube pressure gauges for refrigeration engineering type D7 with glycerine filling



Benefits

- Can be used in case of heavy vibrations and high, dynamic pressure loads
- Longer service life due to less wear and corrosion protection of the measuring system
- Various refrigerants measurable with multiple scales
- DNV- and GOSSTANDART-certified

Application

For simultaneous measurement of vapour pressures and temperatures in refrigeration engineering.
! For measuring gas or vapour, observe the table "Selection Criteria as per EN 837-2" (see appendix)!

Technical specifications

Type
D7

Nominal size
63 – 80 – 100

Accuracy class
EN 837-1/6

NG 63:	1,6
NG 80:	1,0
NG 100:	1,0

Ranges
-1/+9 bar
-1/+12.5 bar
-1/+15 bar
-1/+24 bar
-1/+30 bar

Application area

Static load:	$\frac{3}{4}$ x full scale value
Dynamic load:	$\frac{2}{3}$ x full scale value
Short-term:	Full scale value

Operating temperature range

Ambient: -20/+60 °C

Temperature performance

Indication error when the temperature of the measuring system deviates from the normal temperature of 20 °C:
of full scale value

Degree of protection

IP 54 (EN 60529)
IP 65 (EN 60529)



Standard version

Connection

Brass, bottom or centre back
7/16-20 UNF

Measuring element

Bourdon tube, Copper alloy
"C" type tube

Movement

Brass

Dial

Aluminium, white
Black

Pointer

Aluminium, black

Housing

Stainless steel 304, with blow-out

Crimped bezel

Stainless steel 304

Window

Plastic

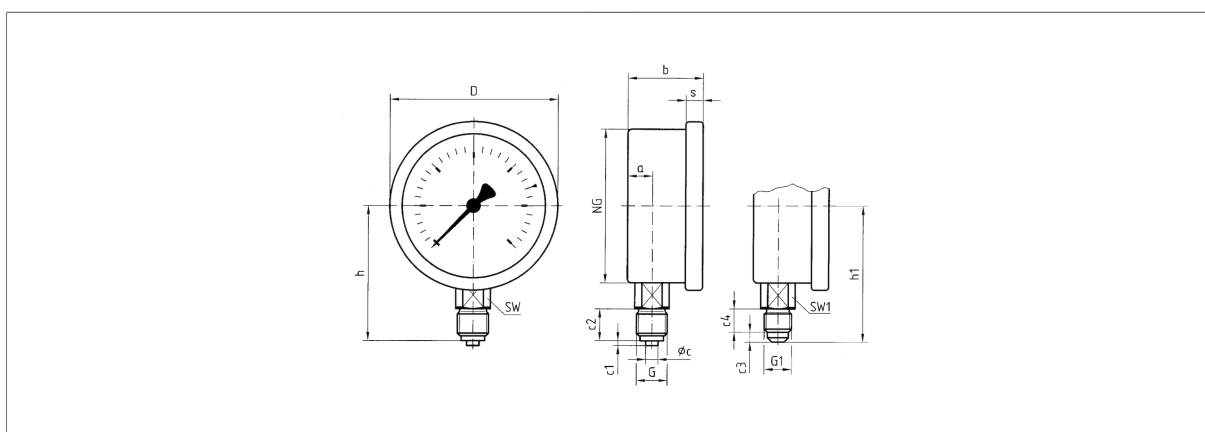
Filling liquid

Glycerine (99.5 %)

Options

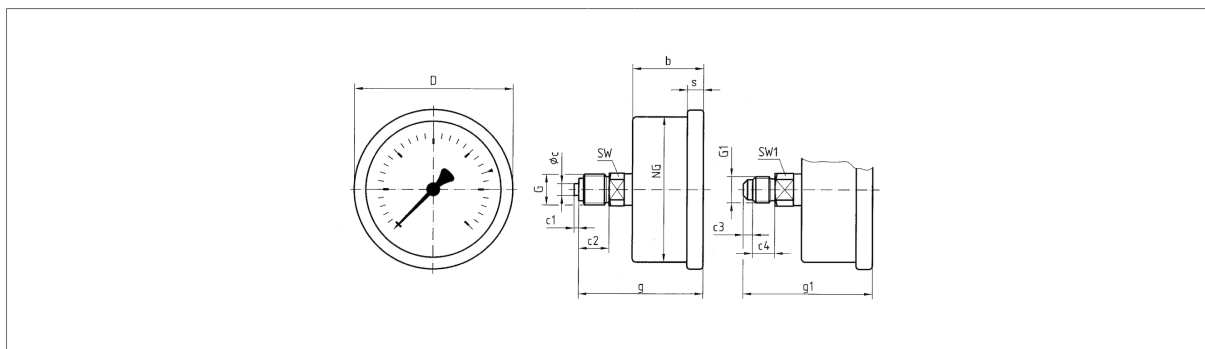
- Back flange
- Clamp fixing
- Damping screw
- Special scales
- Other process connections

Technical drawings



Dimensions (mm)

NG	a	b	Øc	c1	c2	c3	c4	D	G	G1	h	h1	s	SW	SW1
63	9,5	30,5	5	2	13	4	9,5	68	G¼B	7/16-20 UNF	53	55	7	14	14
80	12,2	33,5	6	3	20	4	9,5	85	G½B	7/16-20 UNF	71	62,5	7	22	14
100	12,2	33,5	6	3	20	4	9,5	106	G½B	7/16-20 UNF	81	72,5	7	22	14



Dimensions (mm)

NG	b	∅c	c1	c2	c3	c4	D	g	g1	G	G1	s	SW	SW1
63	30,5	5	2	13	4	9,5	68	53,5	55,5	G¼B	7/16-20 UNF	7	14	14
80	33,5	6	3	20	4	9,5	85	65,5	58,5	G½B	7/16-20 UNF	7	22	14
100	33,5	6	3	20	4	9,5	106	65,5	58,5	G½B	7/16-20 UNF	7	22	14

Versions

RF63KTGly D701

	Housing ∅	Connection	Alignment	Housing	Accuracy class	Range	Type	Part no.
	63 mm	7/16-20 UNF	Bottom	Stainless steel 304	1,6	-1/+9 bar	RF63KTGly D701	85130701
	63 mm	7/16-20 UNF	Bottom	Stainless steel 304	1,6	-1/+12.5 bar	RF63KTGly D701	85131701
	63 mm	7/16-20 UNF	Bottom	Stainless steel 304	1,6	-1/+15 bar	RF63KTGly D701	85132701
	63 mm	7/16-20 UNF	Bottom	Stainless steel 304	1,6	-1/+24 bar	RF63KTGly D701	85133701
	63 mm	7/16-20 UNF	Bottom	Stainless steel 304	1,6	-1/+30 bar	RF63KTGly D701	85134701

Blue part no. = in-stock items

RF80KTGly D701

	Housing ∅	Connection	Alignment	Housing	Accuracy class	Range	Type	Part no.
	80 mm	7/16-20 UNF	Bottom	Stainless steel 304	1,0	-1/+9 bar	RF80KTGly D701	85180701
	80 mm	7/16-20 UNF	Bottom	Stainless steel 304	1,0	-1/+12.5 bar	RF80KTGly D701	85181701
	80 mm	7/16-20 UNF	Bottom	Stainless steel 304	1,0	-1/+15 bar	RF80KTGly D701	85182701
	80 mm	7/16-20 UNF	Bottom	Stainless steel 304	1,0	-1/+24 bar	RF80KTGly D701	85183701
	80 mm	7/16-20 UNF	Bottom	Stainless steel 304	1,0	-1/+30 bar	RF80KTGly D701	85184701

Blue part no. = in-stock items



RF100KTGly D701

	Housing \varnothing	Connection	Alignment	Housing	Accuracy class	Range	Type	Part no.
	100 mm	7/16-20 UNF	Bottom	Stainless steel 304	1,0	-1/+9 bar	RF100KTGly D701	85230701
	100 mm	7/16-20 UNF	Bottom	Stainless steel 304	1,0	-1/+12.5 bar	RF100KTGly D701	85231701
	100 mm	7/16-20 UNF	Bottom	Stainless steel 304	1,0	-1/+15 bar	RF100KTGly D701	85232701
	100 mm	7/16-20 UNF	Bottom	Stainless steel 304	1,0	-1/+24 bar	RF100KTGly D701	85233701
	100 mm	7/16-20 UNF	Bottom	Stainless steel 304	1,0	-1/+30 bar	RF100KTGly D701	85234701

Blue part no. = in-stock items

RF63KTGly D711

	Housing \varnothing	Connection	Alignment	Housing	Accuracy class	Range	Type	Part no.
	63 mm	7/16-20 UNF	Centre back	Stainless steel 304	1,6	-1/+9 bar	RF63KTGly D711	85130711
	63 mm	7/16-20 UNF	Centre back	Stainless steel 304	1,6	-1/+12.5 bar	RF63KTGly D711	85131711
	63 mm	7/16-20 UNF	Centre back	Stainless steel 304	1,6	-1/+15 bar	RF63KTGly D711	85132711
	63 mm	7/16-20 UNF	Centre back	Stainless steel 304	1,6	-1/+24 bar	RF63KTGly D711	85133711
	63 mm	7/16-20 UNF	Centre back	Stainless steel 304	1,6	-1/+30 bar	RF63KTGly D711	85134711

Blue part no. = in-stock items

RF80KTGly D711

	Housing \varnothing	Connection	Alignment	Housing	Accuracy class	Range	Type	Part no.
	80 mm	7/16-20 UNF	Centre back	Stainless steel 304	1,0	-1/+9 bar	RF80KTGly D711	85180711
	80 mm	7/16-20 UNF	Centre back	Stainless steel 304	1,0	-1/+12.5 bar	RF80KTGly D711	85181711
	80 mm	7/16-20 UNF	Centre back	Stainless steel 304	1,0	-1/+15 bar	RF80KTGly D711	85182711
	80 mm	7/16-20 UNF	Centre back	Stainless steel 304	1,0	-1/+24 bar	RF80KTGly D711	85183711
	80 mm	7/16-20 UNF	Centre back	Stainless steel 304	1,0	-1/+30 bar	RF80KTGly D711	85184711

Blue part no. = in-stock items

RF100KTGly D711

	Housing \varnothing	Connection	Alignment	Housing	Accuracy class	Range	Type	Part no.
	100 mm	7/16-20 UNF	Centre back	Stainless steel 304	1,0	-1/+9 bar	RF100KTGly D711	85230711
	100 mm	7/16-20 UNF	Centre back	Stainless steel 304	1,0	-1/+12.5 bar	RF100KTGly D711	85231711
	100 mm	7/16-20 UNF	Centre back	Stainless steel 304	1,0	-1/+15 bar	RF100KTGly D711	85232711
	100 mm	7/16-20 UNF	Centre back	Stainless steel 304	1,0	-1/+24 bar	RF100KTGly D711	85233711
	100 mm	7/16-20 UNF	Centre back	Stainless steel 304	1,0	-1/+30 bar	RF100KTGly D711	85234711

Blue part no. = in-stock items