



## Standard Bourdon tube pressure gauges Process Gauges Type D1



### Benefits

- Extremely robust pressure gauge for offshore and onshore applications
- Glass-fibre reinforced safety housing with solid baffle wall and blow-out
- Integrated pressure compensation diaphragm
- Tightness-tested with helium
- GOSSTANDART-certified

### Application

For corrosive gaseous and liquid media which are not highly viscous and do not crystallise. Specially suitable for the oil and chemical industries.

### Technical specifications

**Type**  
D1

**Nominal size**  
4.5

**Accuracy class (ASME B 40.100)**  
Grade 2A (correspond to an accuracy of 0.5 %)

**Ranges (EN 837-1/5)**  
See ordering table

**Application area**  
Static load: Full scale value  
Dynamic load: 0.9 x full scale value  
Short-term: 1.3 x full scale value

**Operating temperature range**  
Medium: Max. 100 °C  
Ambient: -40/+65 °C

**Temperature performance**  
Indication error when the temperature of the measuring system deviates from the normal temperature of 20 °C:  
of full scale value

**Degree of protection**  
IP 67 (EN 60529)



## Standard version

### Connection

Brass: D101  
 Brass: D111  
 Stainless steel 316 L: D102  
 Stainless steel 316 L: D112  
 Bottom or bottom  
 back

### Measuring element

Bourdon tube, stainless steel 316 Ti/316 L  
 ≤ 60 bar: "C" type tube  
 > 60 bar: Helical tube  
 Tightness-tested with helium

### Movement

Stainless steel

### Dial

Aluminium, white  
 Scaling black

### Pointer

Micro-adjustable pointer  
 Brass, black

### Housing

PP-GF20, black

### Screw type bezel

PP-GF20, black Internal

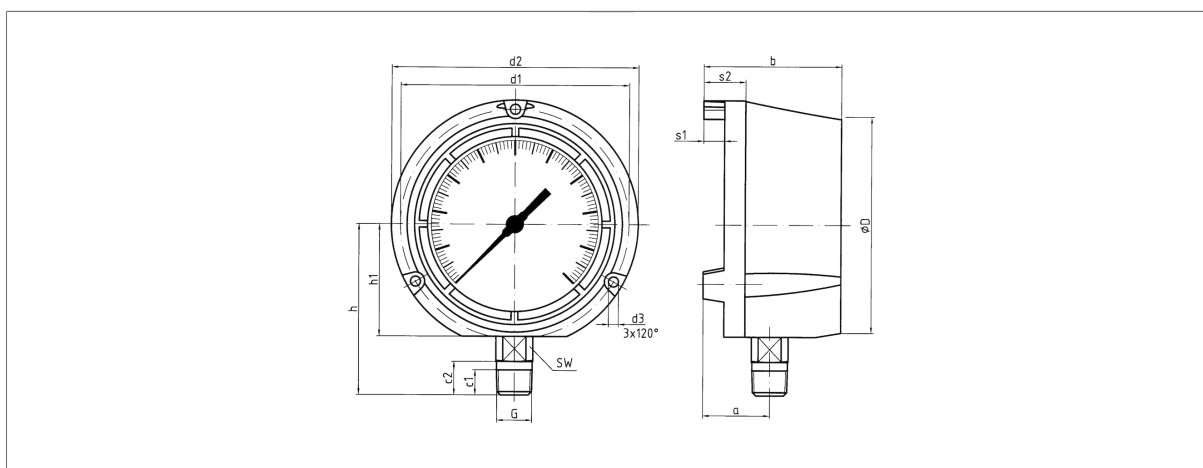
### Window

Plastic (PMMA)

## Options

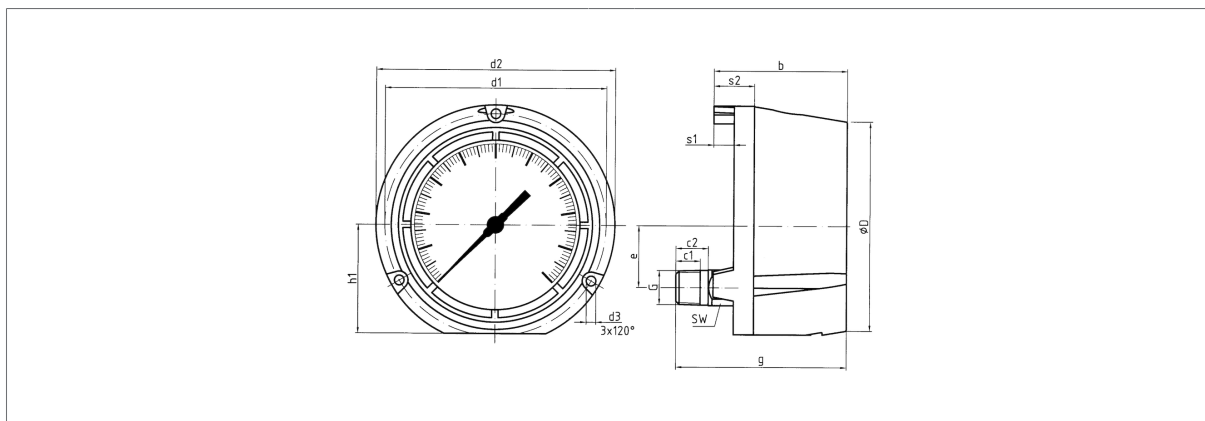
- Laminated safety glass window
- Reference pointer
- Electrical contacts
- Special scales
- Other process connections

## Technical drawings



### Dimensions (mm)

NG	a	b	c1	c2	d1	d2	d3	ØD	G	h	h1	s1	s2	SW
4½"	40	82,5	15	20	137	148	6	129	½-14 NPT	102	67	12,5	25	22



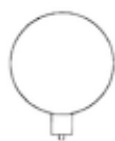
**Dimensions (mm)**

NG	b	c1	c2	d1	d2	d3	ØD	e	G	g	h1	s1	s2	SW
4½"	82,5	15	20	137	148	6	129	38	½-14 NPT	105,5	67	12,5	25	22

**Versions**

**RF130PG D101**

Housing Ø	Connection	Alignment	Housing	Accuracy class	Range	Type	Part no.
4.5 "	½-14 NPT	Bottom	PP-GF20, black	Grade 2A	-1/0 bar	RF130PG D101	87901101
4.5 "	½-14 NPT	Bottom	PP-GF20, black	Grade 2A	-1/+0.6 bar	RF130PG D101	87902101
4.5 "	½-14 NPT	Bottom	PP-GF20, black	Grade 2A	-1/+1.5 bar	RF130PG D101	87903101
4.5 "	½-14 NPT	Bottom	PP-GF20, black	Grade 2A	-1/+3 bar	RF130PG D101	87904101
4.5 "	½-14 NPT	Bottom	PP-GF20, black	Grade 2A	-1/+5 bar	RF130PG D101	87905101
4.5 "	½-14 NPT	Bottom	PP-GF20, black	Grade 2A	-1/+9 bar	RF130PG D101	87906101
4.5 "	½-14 NPT	Bottom	PP-GF20, black	Grade 2A	-1/+15 bar	RF130PG D101	87907101
4.5 "	½-14 NPT	Bottom	PP-GF20, black	Grade 2A	0/0.6 bar	RF130PG D101	87909101
4.5 "	½-14 NPT	Bottom	PP-GF20, black	Grade 2A	0/1 bar	RF130PG D101	87910101
4.5 "	½-14 NPT	Bottom	PP-GF20, black	Grade 2A	0/1.6 bar	RF130PG D101	87911101
4.5 "	½-14 NPT	Bottom	PP-GF20, black	Grade 2A	0/2.5 bar	RF130PG D101	87912101
4.5 "	½-14 NPT	Bottom	PP-GF20, black	Grade 2A	0/4 bar	RF130PG D101	87913101
4.5 "	½-14 NPT	Bottom	PP-GF20, black	Grade 2A	0/6 bar	RF130PG D101	87914101
4.5 "	½-14 NPT	Bottom	PP-GF20, black	Grade 2A	0/10 bar	RF130PG D101	87915101
4.5 "	½-14 NPT	Bottom	PP-GF20, black	Grade 2A	0/16 bar	RF130PG D101	87916101



Blue part no. = in-stock items



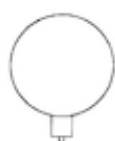
Housing Ø	Connection	Alignment	Housing	Accuracy class	Range	Type	Part no.
4.5 "	½-14 NPT	Bottom	PP-GF20, black	Grade 2A	0/25 bar	RF130PG D101	87917101
4.5 "	½-14 NPT	Bottom	PP-GF20, black	Grade 2A	0/40 bar	RF130PG D101	87918101
4.5 "	½-14 NPT	Bottom	PP-GF20, black	Grade 2A	0/60 bar	RF130PG D101	87919101
4.5 "	½-14 NPT	Bottom	PP-GF20, black	Grade 2A	0/100 bar	RF130PG D101	87920101
4.5 "	½-14 NPT	Bottom	PP-GF20, black	Grade 2A	0/160 bar	RF130PG D101	87921101
4.5 "	½-14 NPT	Bottom	PP-GF20, black	Grade 2A	0/250 bar	RF130PG D101	87922101
4.5 "	½-14 NPT	Bottom	PP-GF20, black	Grade 2A	0/400 bar	RF130PG D101	87923101
4.5 "	½-14 NPT	Bottom	PP-GF20, black	Grade 2A	0/600 bar	RF130PG D101	87924101

Blue part no. = in-stock items

### RF130PG D102

Housing Ø	Connection	Alignment	Housing	Accuracy class	Range	Type	Part no.
4.5 "	½-14 NPT	Bottom	PP-GF20, black	Grade 2A	-1/0 bar	RF130PG D102	87901102
4.5 "	½-14 NPT	Bottom	PP-GF20, black	Grade 2A	-1/+0.6 bar	RF130PG D102	87902102
4.5 "	½-14 NPT	Bottom	PP-GF20, black	Grade 2A	-1/+1.5 bar	RF130PG D102	87903102
4.5 "	½-14 NPT	Bottom	PP-GF20, black	Grade 2A	-1/+3 bar	RF130PG D102	87904102
4.5 "	½-14 NPT	Bottom	PP-GF20, black	Grade 2A	-1/+5 bar	RF130PG D102	87905102
4.5 "	½-14 NPT	Bottom	PP-GF20, black	Grade 2A	-1/+9 bar	RF130PG D102	87906102
4.5 "	½-14 NPT	Bottom	PP-GF20, black	Grade 2A	-1/+15 bar	RF130PG D102	87907102
4.5 "	½-14 NPT	Bottom	PP-GF20, black	Grade 2A	0/0.6 bar	RF130PG D102	87909102
4.5 "	½-14 NPT	Bottom	PP-GF20, black	Grade 2A	0/1 bar	RF130PG D102	87910102
4.5 "	½-14 NPT	Bottom	PP-GF20, black	Grade 2A	0/1.6 bar	RF130PG D102	87911102
4.5 "	½-14 NPT	Bottom	PP-GF20, black	Grade 2A	0/2.5 bar	RF130PG D102	87912102
4.5 "	½-14 NPT	Bottom	PP-GF20, black	Grade 2A	0/4 bar	RF130PG D102	87913102
4.5 "	½-14 NPT	Bottom	PP-GF20, black	Grade 2A	0/6 bar	RF130PG D102	87914102
4.5 "	½-14 NPT	Bottom	PP-GF20, black	Grade 2A	0/10 bar	RF130PG D102	87915102
4.5 "	½-14 NPT	Bottom	PP-GF20, black	Grade 2A	0/16 bar	RF130PG D102	87916102
4.5 "	½-14 NPT	Bottom	PP-GF20, black	Grade 2A	0/25 bar	RF130PG D102	87917102
4.5 "	½-14 NPT	Bottom	PP-GF20, black	Grade 2A	0/40 bar	RF130PG D102	87918102
4.5 "	½-14 NPT	Bottom	PP-GF20, black	Grade 2A	0/60 bar	RF130PG D102	87919102

Blue part no. = in-stock items





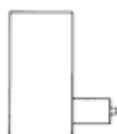
Housing Ø	Connection	Alignment	Housing	Accuracy class	Range	Type	Part no.
4.5 "	½-14 NPT	Bottom	PP-GF20, black	Grade 2A	0/100 bar	RF130PG D102	87920102
4.5 "	½-14 NPT	Bottom	PP-GF20, black	Grade 2A	0/160 bar	RF130PG D102	87921102
4.5 "	½-14 NPT	Bottom	PP-GF20, black	Grade 2A	0/250 bar	RF130PG D102	87922102
4.5 "	½-14 NPT	Bottom	PP-GF20, black	Grade 2A	0/400 bar	RF130PG D102	87923102
4.5 "	½-14 NPT	Bottom	PP-GF20, black	Grade 2A	0/600 bar	RF130PG D102	87924102

Blue part no. = in-stock items

### RF130PG D111

Housing Ø	Connection	Alignment	Housing	Accuracy class	Range	Type	Part no.
4.5 "	½-14 NPT	Bottom back	PP-GF20, black	Grade 2A	-1/0 bar	RF130PG D111	87901111
4.5 "	½-14 NPT	Bottom back	PP-GF20, black	Grade 2A	-1/+0.6 bar	RF130PG D111	87902111
4.5 "	½-14 NPT	Bottom back	PP-GF20, black	Grade 2A	-1/+1.5 bar	RF130PG D111	87903111
4.5 "	½-14 NPT	Bottom back	PP-GF20, black	Grade 2A	-1/+3 bar	RF130PG D111	87904111
4.5 "	½-14 NPT	Bottom back	PP-GF20, black	Grade 2A	-1/+5 bar	RF130PG D111	87905111
4.5 "	½-14 NPT	Bottom back	PP-GF20, black	Grade 2A	-1/+9 bar	RF130PG D111	87906111
4.5 "	½-14 NPT	Bottom back	PP-GF20, black	Grade 2A	-1/+15 bar	RF130PG D111	87907111
4.5 "	½-14 NPT	Bottom back	PP-GF20, black	Grade 2A	0/0.6 bar	RF130PG D111	87909111
4.5 "	½-14 NPT	Bottom back	PP-GF20, black	Grade 2A	0/1 bar	RF130PG D111	87910111
4.5 "	½-14 NPT	Bottom back	PP-GF20, black	Grade 2A	0/1.6 bar	RF130PG D111	87911111
4.5 "	½-14 NPT	Bottom back	PP-GF20, black	Grade 2A	0/2.5 bar	RF130PG D111	87912111
4.5 "	½-14 NPT	Bottom back	PP-GF20, black	Grade 2A	0/4 bar	RF130PG D111	87913111
4.5 "	½-14 NPT	Bottom back	PP-GF20, black	Grade 2A	0/6 bar	RF130PG D111	87914111
4.5 "	½-14 NPT	Bottom back	PP-GF20, black	Grade 2A	0/10 bar	RF130PG D111	87915111
4.5 "	½-14 NPT	Bottom back	PP-GF20, black	Grade 2A	0/16 bar	RF130PG D111	87916111
4.5 "	½-14 NPT	Bottom back	PP-GF20, black	Grade 2A	0/25 bar	RF130PG D111	87917111
4.5 "	½-14 NPT	Bottom back	PP-GF20, black	Grade 2A	0/40 bar	RF130PG D111	87918111
4.5 "	½-14 NPT	Bottom back	PP-GF20, black	Grade 2A	0/60 bar	RF130PG D111	87919111
4.5 "	½-14 NPT	Bottom back	PP-GF20, black	Grade 2A	0/100 bar	RF130PG D111	87920111
4.5 "	½-14 NPT	Bottom back	PP-GF20, black	Grade 2A	0/160 bar	RF130PG D111	87921111

Blue part no. = in-stock items





Housing Ø	Connection	Alignment	Housing	Accuracy class	Range	Type	Part no.
4.5 "	½-14 NPT	Bottom back	PP-GF20, black	Grade 2A	0/250 bar	RF130PG D111	87922111
4.5 "	½-14 NPT	Bottom back	PP-GF20, black	Grade 2A	0/400 bar	RF130PG D111	87923111
4.5 "	½-14 NPT	Bottom back	PP-GF20, black	Grade 2A	0/600 bar	RF130PG D111	87924111

Blue part no. = in-stock items

### RF130PG D112

Housing Ø	Connection	Alignment	Housing	Accuracy class	Range	Type	Part no.
4.5 "	½-14 NPT	Bottom back	PP-GF20, black	Grade 2A	-1/0 bar	RF130PG D112	87901112
4.5 "	½-14 NPT	Bottom back	PP-GF20, black	Grade 2A	-1/+0.6 bar	RF130PG D112	87902112
4.5 "	½-14 NPT	Bottom back	PP-GF20, black	Grade 2A	-1/+1.5 bar	RF130PG D112	87903112
4.5 "	½-14 NPT	Bottom back	PP-GF20, black	Grade 2A	-1/+3 bar	RF130PG D112	87904112
4.5 "	½-14 NPT	Bottom back	PP-GF20, black	Grade 2A	-1/+5 bar	RF130PG D112	87905112
4.5 "	½-14 NPT	Bottom back	PP-GF20, black	Grade 2A	-1/+9 bar	RF130PG D112	87906112
4.5 "	½-14 NPT	Bottom back	PP-GF20, black	Grade 2A	-1/+15 bar	RF130PG D112	87907112
4.5 "	½-14 NPT	Bottom back	PP-GF20, black	Grade 2A	0/0.6 bar	RF130PG D112	87909112
4.5 "	½-14 NPT	Bottom back	PP-GF20, black	Grade 2A	0/1 bar	RF130PG D112	87910112
4.5 "	½-14 NPT	Bottom back	PP-GF20, black	Grade 2A	0/1.6 bar	RF130PG D112	87911112
4.5 "	½-14 NPT	Bottom back	PP-GF20, black	Grade 2A	0/2.5 bar	RF130PG D112	87912112
4.5 "	½-14 NPT	Bottom back	PP-GF20, black	Grade 2A	0/4 bar	RF130PG D112	87913112
4.5 "	½-14 NPT	Bottom back	PP-GF20, black	Grade 2A	0/6 bar	RF130PG D112	87914112
4.5 "	½-14 NPT	Bottom back	PP-GF20, black	Grade 2A	0/10 bar	RF130PG D112	87915112
4.5 "	½-14 NPT	Bottom back	PP-GF20, black	Grade 2A	0/16 bar	RF130PG D112	87916112
4.5 "	½-14 NPT	Bottom back	PP-GF20, black	Grade 2A	0/25 bar	RF130PG D112	87917112
4.5 "	½-14 NPT	Bottom back	PP-GF20, black	Grade 2A	0/40 bar	RF130PG D112	87918112
4.5 "	½-14 NPT	Bottom back	PP-GF20, black	Grade 2A	0/60 bar	RF130PG D112	87919112
4.5 "	½-14 NPT	Bottom back	PP-GF20, black	Grade 2A	0/100 bar	RF130PG D112	87920112
4.5 "	½-14 NPT	Bottom back	PP-GF20, black	Grade 2A	0/160 bar	RF130PG D112	87921112
4.5 "	½-14 NPT	Bottom back	PP-GF20, black	Grade 2A	0/250 bar	RF130PG D112	87922112
4.5 "	½-14 NPT	Bottom back	PP-GF20, black	Grade 2A	0/400 bar	RF130PG D112	87923112
4.5 "	½-14 NPT	Bottom back	PP-GF20, black	Grade 2A	0/600 bar	RF130PG D112	87924112

Blue part no. = in-stock items

