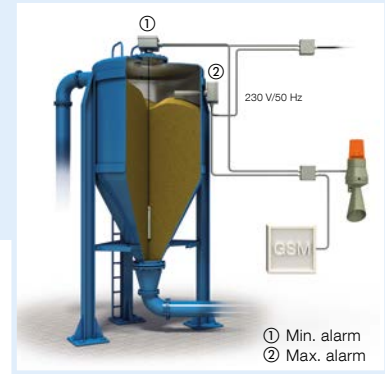


# Compact capacitance level switch

## CapFox® ENT 7



- For powdered and finely grained bulk solids or liquids
- Suitable for rough application conditions
- Switching output for signalling the limit level
- Optional high-temperature version (HT)



5

**Application** For detecting levels of powdered and finely grained bulk solids or of liquids. Especially suitable for use in silos, hoppers, tanks and containers.

**Description** The compact capacitance level switch CapFox® ENT 7, the control unit and the probe form a unit. It detects the change in electrical capacitance caused by the change in level. The device can be supplied with a flexible probe or a rod probe. The rod probe can be mounted in any mounting position. The response sensitivity is adjustable. CapFox® ENT 7 features a voltage-free relay contact which switches when the limit value is reached. The contact can be used to control external equipment such as flaps or sliders, pumps, visual or audible alarms (e.g. alarm lamp or horn) or to transmit the signal to a PLC. Minimum or maximum fail-safe modes can be selected as required.

### Technical specifications

#### Capacitance range

0–200 pF

#### Operating temperature range

Medium: -20/+80 °C

Ambient HT: -20/+220 °C

Ambient: -20/+60 °C

#### Process pressure

Atmospheric pressure

#### Process connection

G1½B

#### Rod probe

Stainless steel 316 Ti, partially PP-insulated, probe length 300 mm (min. length 300 mm – max. length 1,000 mm) or fully PTFE-insulated, probe length 300 mm

#### Flexible probe

Stainless steel 316 Ti, fully PP-insulated  
Probe length 3,000 mm  
(min. length 1,000 mm – max. length 6,000 mm)

#### Supply voltage

AC 230 V or DC 24 V (option)

#### Power input

5 VA

#### Switching output

Relay contact: 1 voltage-free changeover contact  
Contact rating: AC 250 V, 4 A (resistive load)

#### Fail-safe mode

Integrated selector for  
high level alarm or low level alarm

#### Housing

Impact-resistant plastic (ABS)  
W x H x D 104 x 65 x 144 mm

#### Degree of protection

IP 65 (EN 60529)

#### Electrical connections

2 x cable gland PG 11

#### Options

- Supply voltage DC 24 V
- Other probe lengths
- Other probe designs

DG: H, PG: 4	Part no.	Price €
<b>ENT 7, 300 mm partially PP-insulated</b>	52701	
Extra charge probe extension per 100 mm		
<b>ENT 7, 300 mm fully PTFE-insulated</b>	52707	
<b>ENT 7, 3 m flexible probe</b>	52708	
Extra charge probe extension per m		
<b>ENT 7 HT High temperature version up to max. 220 °C (300 mm active probe length)</b>	52709	

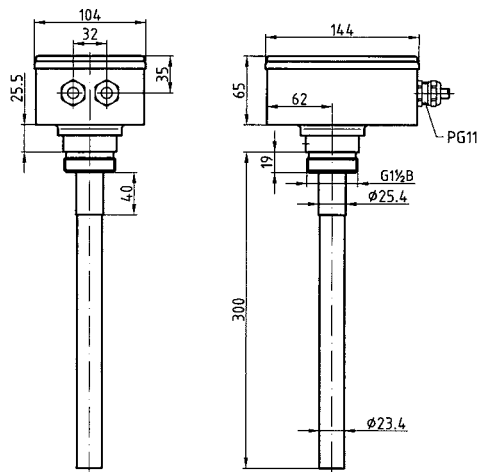
Blue part no. = in-stock items

# Capacitance level switch

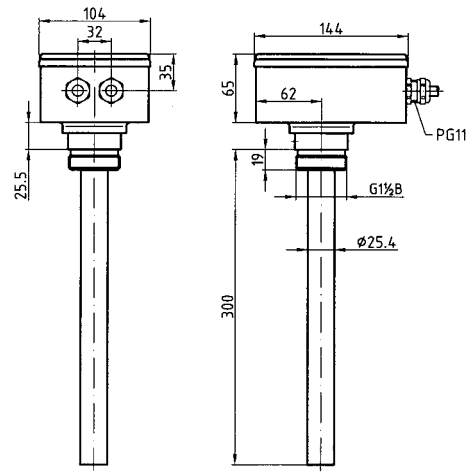
## CapFox® ENT 7

Types and dimensions (mm)

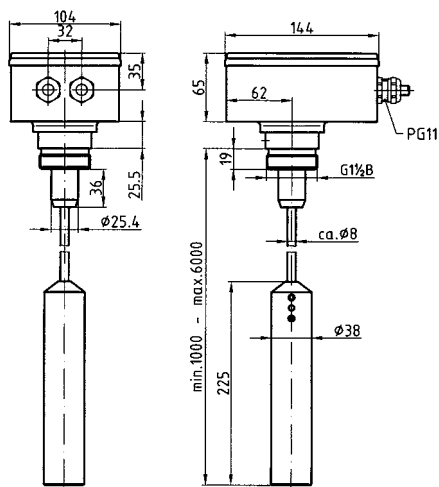
CapFox® ENT 7 with rod probe, partially PP-insulated



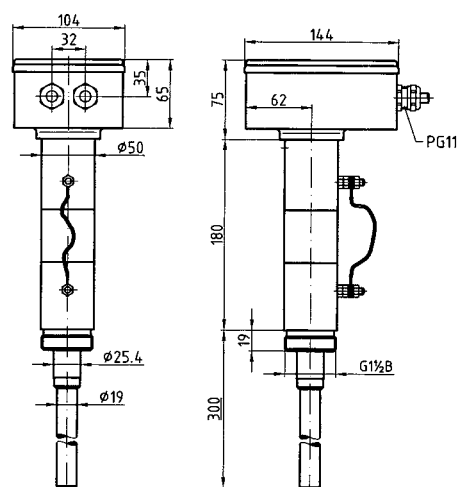
CapFox® ENT 7 with rod probe, fully PTFE-insulated



CapFox® ENT 7 with flexible probe



CapFox® ENT 7 HT with high-temperature barrier



Many other probe versions are available. Please enquire.