



Bourdon tube pressure gauges for chemical applications Type D4



Benefits

- For chemical and process engineering applications
- Measuring system fully welded to housing
- Extremely robust design
- For temperatures of the medium of up to 200 °C
- Tightness-tested with helium
- GOSSTANDART-certified
- ATEX version (optional)

Application

For corrosive gaseous and liquid media which are not highly viscous and do not crystallise; suitable for corrosive environments.
! For measuring gas or vapour, observe the table "Selection Criteria as per EN 837-2"!

Technical specifications

Type
D4

Nominal size
100 – 160

Accuracy class (EN 837-1/6)
1,0

Ranges (EN 837-1/5)
See ordering table

Application area

Static load

≤ 600 bar: Full scale value
> 600 bar: ¾ x full scale value

Dynamic load

≤ 600 bar: 0.9 x full scale value
> 600 bar: ¾ x full scale value

Short-term

≤ 600 bar: 1.3 x full scale value
> 600 bar: Full scale value

Operating temperature range

Medium: Max. 200 °C

Ambient: -20/+60 °C

Temperature performance

Indication error when the temperature of the measuring system deviates from the normal temperature of 20 °C:
of full scale value

Degree of protection

IP 54 (EN 60529)

IP 65 (EN 60529)



Standard version

Connection

Stainless steel 316 Ti/316 L, bottom or bottom back

Measuring element

Bourdon tube, stainless steel 316 Ti/316 L

L

≤ 60 bar: "C" type tube

> 60 bar: Helical tube

Tightness-tested with helium

Movement

Stainless steel

Dial

Aluminium, white

Scaling black

Pointer

Aluminium, black

Housing

Stainless steel 304, with blow-out

Bayonet type bezel

Stainless steel 304

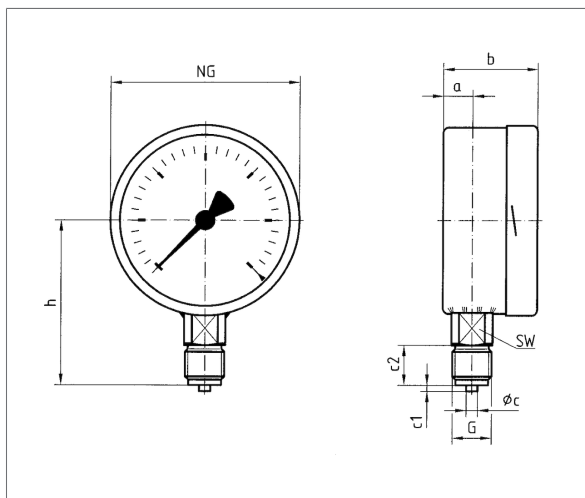
Window

Laminated safety glass

Options

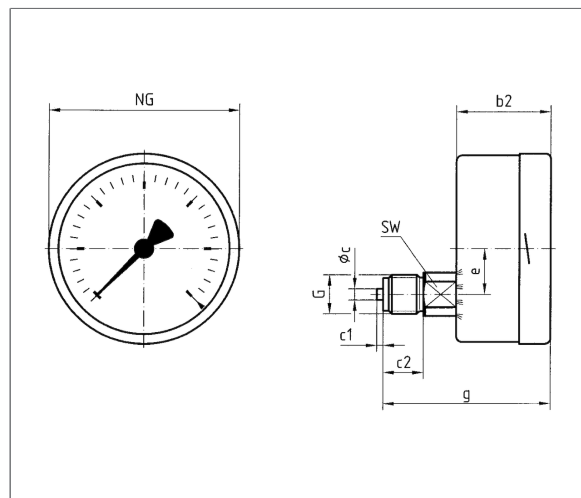
- Back flange
- Panel mounting bezel
- 3-hole fixing, panel mounting bezel
- Electrical contacts
- Special scales
- Other process connections

Technical drawings



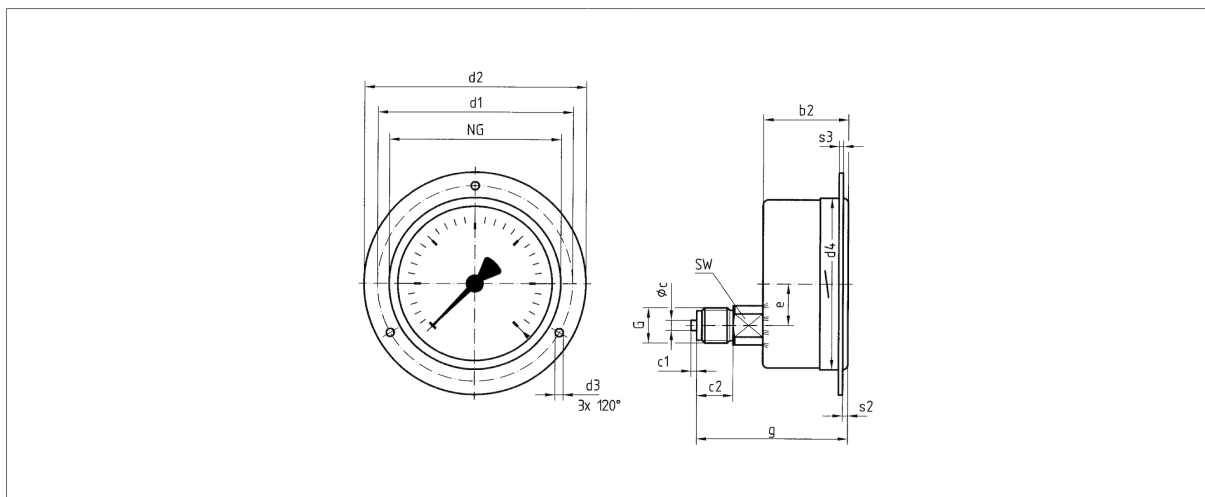
Dimensions (mm)

NG	a	b	∅c	c1	c2	G	h	SW
100	15,6	49	6	3	20	G½B	86	22
160	17,5	50	6	3	20	G½B	116	22



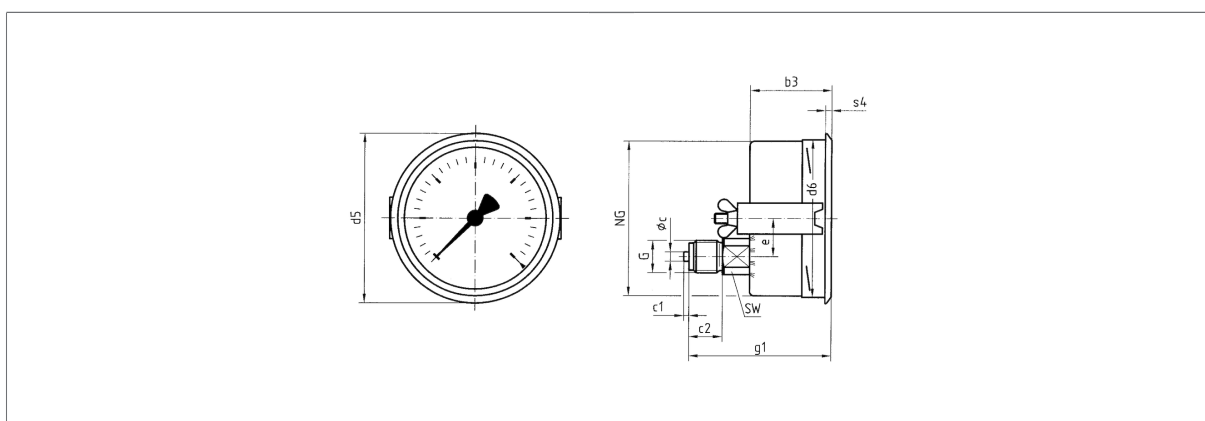
Dimensions (mm)

NG	b2	∅c	c1	c2	e	G	g	SW
100	49	6	3	20	34,5	G½B	83	22
160	50	6	3	20	34,5	G½B	84	22



Dimensions (mm)

NG	b2	∅c	c1	c2	d1*	d2*	d3*	d4	e	G	g	s2	s3	SW
100	49	6	3	20	116	132	4,8	104	34,5	G½B	83	4	2	22
160	50	6	3	20	178	196	5,8	164	34,5	G½B	84	4	2	22



Dimensions (mm)

NG	b3	∅c	c1	c2	d5	d6	e	G	g1	s4	SW
100	49	6	3	20	107	101	34,5	G½B	83	4	22
160	52	6	3	20	167	161	34,5	G½B	86	4,5	22

Versions

RF100Ch D402

	Housing ∅	Connection	Alignment	Housing	Accuracy class	Range	Type	Part no.
	100 mm	G½B	Bottom	Stainless steel 304	1,0	-1/0 bar	RF100Ch D402	85201402
	100 mm	G½B	Bottom	Stainless steel 304	1,0	-1/+0.6 bar	RF100Ch D402	85202402
	100 mm	G½B	Bottom	Stainless steel 304	1,0	-1/+1.5 bar	RF100Ch D402	85203402
	100 mm	G½B	Bottom	Stainless steel 304	1,0	-1/+3 bar	RF100Ch D402	85204402

Blue part no. = in-stock items

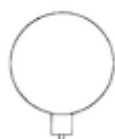


Housing Ø	Connection	Alignment	Housing	Accuracy class	Range	Type	Part no.
100 mm	G½B	Bottom	Stainless steel 304	1,0	-1/+5 bar	RF100Ch D402	85205402
100 mm	G½B	Bottom	Stainless steel 304	1,0	-1/+9 bar	RF100Ch D402	85206402
100 mm	G½B	Bottom	Stainless steel 304	1,0	-1/+15 bar	RF100Ch D402	85207402
100 mm	G½B	Bottom	Stainless steel 304	1,0	0/0.6 bar	RF100Ch D402	85209402
100 mm	G½B	Bottom	Stainless steel 304	1,0	0/1 bar	RF100Ch D402	85210402
100 mm	G½B	Bottom	Stainless steel 304	1,0	0/1.6 bar	RF100Ch D402	85211402
100 mm	G½B	Bottom	Stainless steel 304	1,0	0/2.5 bar	RF100Ch D402	85212402
100 mm	G½B	Bottom	Stainless steel 304	1,0	0/4 bar	RF100Ch D402	85213402
100 mm	G½B	Bottom	Stainless steel 304	1,0	0/6 bar	RF100Ch D402	85214402
100 mm	G½B	Bottom	Stainless steel 304	1,0	0/10 bar	RF100Ch D402	85215402
100 mm	G½B	Bottom	Stainless steel 304	1,0	0/16 bar	RF100Ch D402	85216402
100 mm	G½B	Bottom	Stainless steel 304	1,0	0/25 bar	RF100Ch D402	85217402
100 mm	G½B	Bottom	Stainless steel 304	1,0	0/40 bar	RF100Ch D402	85218402
100 mm	G½B	Bottom	Stainless steel 304	1,0	0/60 bar	RF100Ch D402	85219402
100 mm	G½B	Bottom	Stainless steel 304	1,0	0/100 bar	RF100Ch D402	85220402
100 mm	G½B	Bottom	Stainless steel 304	1,0	0/160 bar	RF100Ch D402	85221402
100 mm	G½B	Bottom	Stainless steel 304	1,0	0/250 bar	RF100Ch D402	85222402
100 mm	G½B	Bottom	Stainless steel 304	1,0	0/400 bar	RF100Ch D402	85223402
100 mm	G½B	Bottom	Stainless steel 304	1,0	0/600 bar	RF100Ch D402	85224402
100 mm	G½B	Bottom	Stainless steel 304	1,0	0/1,000 bar	RF100Ch D402	85225402

Blue part no. = in-stock items

RF160Ch D402

Housing Ø	Connection	Alignment	Housing	Accuracy class	Range	Type	Part no.
160 mm	G½B	Bottom	Stainless steel 304	1,0	-1/0 bar	RF160Ch D402	85251402
160 mm	G½B	Bottom	Stainless steel 304	1,0	-1/+0.6 bar	RF160Ch D402	85252402
160 mm	G½B	Bottom	Stainless steel 304	1,0	-1/+1.5 bar	RF160Ch D402	85253402
160 mm	G½B	Bottom	Stainless steel 304	1,0	-1/+3 bar	RF160Ch D402	85254402
160 mm	G½B	Bottom	Stainless steel 304	1,0	-1/+5 bar	RF160Ch D402	85255402
160 mm	G½B	Bottom	Stainless steel 304	1,0	-1/+9 bar	RF160Ch D402	85256402



Blue part no. = in-stock items

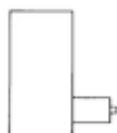


Housing Ø	Connection	Alignment	Housing	Accuracy class	Range	Type	Part no.
160 mm	G½B	Bottom	Stainless steel 304	1,0	-1/+15 bar	RF160Ch D402	85257402
160 mm	G½B	Bottom	Stainless steel 304	1,0	0/0.6 bar	RF160Ch D402	85259402
160 mm	G½B	Bottom	Stainless steel 304	1,0	0/1 bar	RF160Ch D402	85260402
160 mm	G½B	Bottom	Stainless steel 304	1,0	0/1.6 bar	RF160Ch D402	85261402
160 mm	G½B	Bottom	Stainless steel 304	1,0	0/2.5 bar	RF160Ch D402	85262402
160 mm	G½B	Bottom	Stainless steel 304	1,0	0/4 bar	RF160Ch D402	85263402
160 mm	G½B	Bottom	Stainless steel 304	1,0	0/6 bar	RF160Ch D402	85264402
160 mm	G½B	Bottom	Stainless steel 304	1,0	0/10 bar	RF160Ch D402	85265402
160 mm	G½B	Bottom	Stainless steel 304	1,0	0/16 bar	RF160Ch D402	85266402
160 mm	G½B	Bottom	Stainless steel 304	1,0	0/25 bar	RF160Ch D402	85267402
160 mm	G½B	Bottom	Stainless steel 304	1,0	0/40 bar	RF160Ch D402	85268402
160 mm	G½B	Bottom	Stainless steel 304	1,0	0/60 bar	RF160Ch D402	85269402
160 mm	G½B	Bottom	Stainless steel 304	1,0	0/100 bar	RF160Ch D402	85270402
160 mm	G½B	Bottom	Stainless steel 304	1,0	0/160 bar	RF160Ch D402	85271402
160 mm	G½B	Bottom	Stainless steel 304	1,0	0/250 bar	RF160Ch D402	85272402
160 mm	G½B	Bottom	Stainless steel 304	1,0	0/400 bar	RF160Ch D402	85273402
160 mm	G½B	Bottom	Stainless steel 304	1,0	0/600 bar	RF160Ch D402	85274402
160 mm	G½B	Bottom	Stainless steel 304	1,0	0/1,000 bar	RF160Ch D402	85275402
160 mm	G½B	Bottom	Stainless steel 304	1,0	0/1,600 bar	RF160Ch D402	85276402

Blue part no. = in-stock items

RF100Ch D412

Housing Ø	Connection	Alignment	Housing	Accuracy class	Range	Type	Part no.
100 mm	G½B	Bottom back	Stainless steel 304	1,0	-1/0 bar	RF100Ch D412	85201412
100 mm	G½B	Bottom back	Stainless steel 304	1,0	-1/+0.6 bar	RF100Ch D412	85202412
100 mm	G½B	Bottom back	Stainless steel 304	1,0	-1/+1.5 bar	RF100Ch D412	85203412
100 mm	G½B	Bottom back	Stainless steel 304	1,0	-1/+3 bar	RF100Ch D412	85204412
100 mm	G½B	Bottom back	Stainless steel 304	1,0	-1/+5 bar	RF100Ch D412	85205412
100 mm	G½B	Bottom back	Stainless steel 304	1,0	-1/+9 bar	RF100Ch D412	85206412
100 mm	G½B	Bottom back	Stainless steel 304	1,0	-1/+15 bar	RF100Ch D412	85207412



Blue part no. = in-stock items



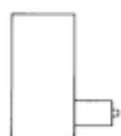
Housing Ø	Connection	Alignment	Housing	Accuracy class	Range	Type	Part no.
100 mm	G½B	Bottom back	Stainless steel 304	1,0	0/0.6 bar	RF100Ch D412	85209412
100 mm	G½B	Bottom back	Stainless steel 304	1,0	0/1 bar	RF100Ch D412	85210412
100 mm	G½B	Bottom back	Stainless steel 304	1,0	0/1.6 bar	RF100Ch D412	85211412
100 mm	G½B	Bottom back	Stainless steel 304	1,0	0/2.5 bar	RF100Ch D412	85212412
100 mm	G½B	Bottom back	Stainless steel 304	1,0	0/4 bar	RF100Ch D412	85213412
100 mm	G½B	Bottom back	Stainless steel 304	1,0	0/6 bar	RF100Ch D412	85214412
100 mm	G½B	Bottom back	Stainless steel 304	1,0	0/10 bar	RF100Ch D412	85215412
100 mm	G½B	Bottom back	Stainless steel 304	1,0	0/16 bar	RF100Ch D412	85216412
100 mm	G½B	Bottom back	Stainless steel 304	1,0	0/25 bar	RF100Ch D412	85217412
100 mm	G½B	Bottom back	Stainless steel 304	1,0	0/40 bar	RF100Ch D412	85218412
100 mm	G½B	Bottom back	Stainless steel 304	1,0	0/60 bar	RF100Ch D412	85219412
100 mm	G½B	Bottom back	Stainless steel 304	1,0	0/100 bar	RF100Ch D412	85220412
100 mm	G½B	Bottom back	Stainless steel 304	1,0	0/160 bar	RF100Ch D412	85221412
100 mm	G½B	Bottom back	Stainless steel 304	1,0	0/250 bar	RF100Ch D412	85222412
100 mm	G½B	Bottom back	Stainless steel 304	1,0	0/400 bar	RF100Ch D412	85223412
100 mm	G½B	Bottom back	Stainless steel 304	1,0	0/600 bar	RF100Ch D412	85224412
100 mm	G½B	Bottom back	Stainless steel 304	1,0	0/1,000 bar	RF100Ch D412	85225412

Blue part no. = in-stock items

RF160Ch D412

Housing Ø	Connection	Alignment	Housing	Accuracy class	Range	Type	Part no.
160 mm	G½B	Bottom back	Stainless steel 304	1,0	-1/0 bar	RF160Ch D412	85251412
160 mm	G½B	Bottom back	Stainless steel 304	1,0	-1/+0.6 bar	RF160Ch D412	85252412
160 mm	G½B	Bottom back	Stainless steel 304	1,0	-1/+1.5 bar	RF160Ch D412	85253412
160 mm	G½B	Bottom back	Stainless steel 304	1,0	-1/+3 bar	RF160Ch D412	85254412
160 mm	G½B	Bottom back	Stainless steel 304	1,0	-1/+5 bar	RF160Ch D412	85255412
160 mm	G½B	Bottom back	Stainless steel 304	1,0	-1/+9 bar	RF160Ch D412	85256412
160 mm	G½B	Bottom back	Stainless steel 304	1,0	-1/+15 bar	RF160Ch D412	85257412
160 mm	G½B	Bottom back	Stainless steel 304	1,0	0/0.6 bar	RF160Ch D412	85259412
160 mm	G½B	Bottom back	Stainless steel 304	1,0	0/1 bar	RF160Ch D412	85260412

Blue part no. = in-stock items





Housing \varnothing	Connection	Alignment	Housing	Accuracy class	Range	Type	Part no.
160 mm	G $\frac{1}{2}$ B	Bottom back	Stainless steel 304	1,0	0/1.6 bar	RF160Ch D412	85261412
160 mm	G $\frac{1}{2}$ B	Bottom back	Stainless steel 304	1,0	0/2.5 bar	RF160Ch D412	85262412
160 mm	G $\frac{1}{2}$ B	Bottom back	Stainless steel 304	1,0	0/4 bar	RF160Ch D412	85263412
160 mm	G $\frac{1}{2}$ B	Bottom back	Stainless steel 304	1,0	0/6 bar	RF160Ch D412	85264412
160 mm	G $\frac{1}{2}$ B	Bottom back	Stainless steel 304	1,0	0/10 bar	RF160Ch D412	85265412
160 mm	G $\frac{1}{2}$ B	Bottom back	Stainless steel 304	1,0	0/16 bar	RF160Ch D412	85266412
160 mm	G $\frac{1}{2}$ B	Bottom back	Stainless steel 304	1,0	0/25 bar	RF160Ch D412	85267412
160 mm	G $\frac{1}{2}$ B	Bottom back	Stainless steel 304	1,0	0/40 bar	RF160Ch D412	85268412
160 mm	G $\frac{1}{2}$ B	Bottom back	Stainless steel 304	1,0	0/60 bar	RF160Ch D412	85269412
160 mm	G $\frac{1}{2}$ B	Bottom back	Stainless steel 304	1,0	0/100 bar	RF160Ch D412	85270412
160 mm	G $\frac{1}{2}$ B	Bottom back	Stainless steel 304	1,0	0/160 bar	RF160Ch D412	85271412
160 mm	G $\frac{1}{2}$ B	Bottom back	Stainless steel 304	1,0	0/250 bar	RF160Ch D412	85272412
160 mm	G $\frac{1}{2}$ B	Bottom back	Stainless steel 304	1,0	0/400 bar	RF160Ch D412	85273412
160 mm	G $\frac{1}{2}$ B	Bottom back	Stainless steel 304	1,0	0/600 bar	RF160Ch D412	85274412
160 mm	G $\frac{1}{2}$ B	Bottom back	Stainless steel 304	1,0	0/1,000 bar	RF160Ch D412	85275412
160 mm	G $\frac{1}{2}$ B	Bottom back	Stainless steel 304	1,0	0/1,600 bar	RF160Ch D412	85276412

Blue part no. = in-stock items

RF100Ch D432

Housing \varnothing	Connection	Alignment	Housing	Accuracy class	Range	Type	Part no.
100 mm	G $\frac{1}{2}$ B	Bottom back	Stainless steel 304	1,0	-1/0 bar	RF100Ch D432	85201432
100 mm	G $\frac{1}{2}$ B	Bottom back	Stainless steel 304	1,0	-1/+0.6 bar	RF100Ch D432	85202432
100 mm	G $\frac{1}{2}$ B	Bottom back	Stainless steel 304	1,0	-1/+1.5 bar	RF100Ch D432	85203432
100 mm	G $\frac{1}{2}$ B	Bottom back	Stainless steel 304	1,0	-1/+3 bar	RF100Ch D432	85204432
100 mm	G $\frac{1}{2}$ B	Bottom back	Stainless steel 304	1,0	-1/+5 bar	RF100Ch D432	85205432
100 mm	G $\frac{1}{2}$ B	Bottom back	Stainless steel 304	1,0	-1/+9 bar	RF100Ch D432	85206432
100 mm	G $\frac{1}{2}$ B	Bottom back	Stainless steel 304	1,0	-1/+15 bar	RF100Ch D432	85207432
100 mm	G $\frac{1}{2}$ B	Bottom back	Stainless steel 304	1,0	0/0.6 bar	RF100Ch D432	85209432
100 mm	G $\frac{1}{2}$ B	Bottom back	Stainless steel 304	1,0	0/1 bar	RF100Ch D432	85210432
100 mm	G $\frac{1}{2}$ B	Bottom back	Stainless steel 304	1,0	0/1.6 bar	RF100Ch D432	85211432

Blue part no. = in-stock items





Housing \varnothing	Connection	Alignment	Housing	Accuracy class	Range	Type	Part no.
100 mm	G $\frac{1}{2}$ B	Bottom back	Stainless steel 304	1,0	0/2.5 bar	RF100Ch D432	85212432
100 mm	G $\frac{1}{2}$ B	Bottom back	Stainless steel 304	1,0	0/4 bar	RF100Ch D432	85213432
100 mm	G $\frac{1}{2}$ B	Bottom back	Stainless steel 304	1,0	0/6 bar	RF100Ch D432	85214432
100 mm	G $\frac{1}{2}$ B	Bottom back	Stainless steel 304	1,0	0/10 bar	RF100Ch D432	85215432
100 mm	G $\frac{1}{2}$ B	Bottom back	Stainless steel 304	1,0	0/16 bar	RF100Ch D432	85216432
100 mm	G $\frac{1}{2}$ B	Bottom back	Stainless steel 304	1,0	0/25 bar	RF100Ch D432	85217432
100 mm	G $\frac{1}{2}$ B	Bottom back	Stainless steel 304	1,0	0/40 bar	RF100Ch D432	85218432
100 mm	G $\frac{1}{2}$ B	Bottom back	Stainless steel 304	1,0	0/60 bar	RF100Ch D432	85219432
100 mm	G $\frac{1}{2}$ B	Bottom back	Stainless steel 304	1,0	0/100 bar	RF100Ch D432	85220432
100 mm	G $\frac{1}{2}$ B	Bottom back	Stainless steel 304	1,0	0/160 bar	RF100Ch D432	85221432
100 mm	G $\frac{1}{2}$ B	Bottom back	Stainless steel 304	1,0	0/250 bar	RF100Ch D432	85222432
100 mm	G $\frac{1}{2}$ B	Bottom back	Stainless steel 304	1,0	0/400 bar	RF100Ch D432	85223432
100 mm	G $\frac{1}{2}$ B	Bottom back	Stainless steel 304	1,0	0/600 bar	RF100Ch D432	85224432
100 mm	G $\frac{1}{2}$ B	Bottom back	Stainless steel 304	1,0	0/1,000 bar	RF100Ch D432	85225432

Blue part no. = in-stock items

RF160Ch D432

Housing \varnothing	Connection	Alignment	Housing	Accuracy class	Range	Type	Part no.
160 mm	G $\frac{1}{2}$ B	Bottom back	Stainless steel 304	1,0	-1/0 bar	RF160Ch D432	85251432
160 mm	G $\frac{1}{2}$ B	Bottom back	Stainless steel 304	1,0	-1/+0.6 bar	RF160Ch D432	85252432
160 mm	G $\frac{1}{2}$ B	Bottom back	Stainless steel 304	1,0	-1/+1.5 bar	RF160Ch D432	85253432
160 mm	G $\frac{1}{2}$ B	Bottom back	Stainless steel 304	1,0	-1/+3 bar	RF160Ch D432	85254432
160 mm	G $\frac{1}{2}$ B	Bottom back	Stainless steel 304	1,0	-1/+5 bar	RF160Ch D432	85255432
160 mm	G $\frac{1}{2}$ B	Bottom back	Stainless steel 304	1,0	-1/+9 bar	RF160Ch D432	85256432
160 mm	G $\frac{1}{2}$ B	Bottom back	Stainless steel 304	1,0	-1/+15 bar	RF160Ch D432	85257432
160 mm	G $\frac{1}{2}$ B	Bottom back	Stainless steel 304	1,0	0/0.6 bar	RF160Ch D432	85259432
160 mm	G $\frac{1}{2}$ B	Bottom back	Stainless steel 304	1,0	0/1 bar	RF160Ch D432	85260432
160 mm	G $\frac{1}{2}$ B	Bottom back	Stainless steel 304	1,0	0/1.6 bar	RF160Ch D432	85261432
160 mm	G $\frac{1}{2}$ B	Bottom back	Stainless steel 304	1,0	0/2.5 bar	RF160Ch D432	85262432
160 mm	G $\frac{1}{2}$ B	Bottom back	Stainless steel 304	1,0	0/4 bar	RF160Ch D432	85263432

Blue part no. = in-stock items





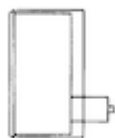
Housing \varnothing	Connection	Alignment	Housing	Accuracy class	Range	Type	Part no.
160 mm	G $\frac{1}{2}$ B	Bottom back	Stainless steel 304	1,0	0/6 bar	RF160Ch D432	85264432
160 mm	G $\frac{1}{2}$ B	Bottom back	Stainless steel 304	1,0	0/10 bar	RF160Ch D432	85265432
160 mm	G $\frac{1}{2}$ B	Bottom back	Stainless steel 304	1,0	0/16 bar	RF160Ch D432	85266432
160 mm	G $\frac{1}{2}$ B	Bottom back	Stainless steel 304	1,0	0/25 bar	RF160Ch D432	85267432
160 mm	G $\frac{1}{2}$ B	Bottom back	Stainless steel 304	1,0	0/40 bar	RF160Ch D432	85268432
160 mm	G $\frac{1}{2}$ B	Bottom back	Stainless steel 304	1,0	0/60 bar	RF160Ch D432	85269432
160 mm	G $\frac{1}{2}$ B	Bottom back	Stainless steel 304	1,0	0/100 bar	RF160Ch D432	85270432
160 mm	G $\frac{1}{2}$ B	Bottom back	Stainless steel 304	1,0	0/160 bar	RF160Ch D432	85271432
160 mm	G $\frac{1}{2}$ B	Bottom back	Stainless steel 304	1,0	0/250 bar	RF160Ch D432	85272432
160 mm	G $\frac{1}{2}$ B	Bottom back	Stainless steel 304	1,0	0/400 bar	RF160Ch D432	85273432
160 mm	G $\frac{1}{2}$ B	Bottom back	Stainless steel 304	1,0	0/600 bar	RF160Ch D432	85274432
160 mm	G $\frac{1}{2}$ B	Bottom back	Stainless steel 304	1,0	0/1,000 bar	RF160Ch D432	85275432
160 mm	G $\frac{1}{2}$ B	Bottom back	Stainless steel 304	1,0	0/1,600 bar	RF160Ch D432	85276432

Blue part no. = in-stock items

RF100Ch D452

Housing \varnothing	Connection	Alignment	Housing	Accuracy class	Range	Type	Part no.
100 mm	G $\frac{1}{2}$ B	Bottom back	Stainless steel 304	1,0	-1/0 bar	RF100Ch D452	85201452
100 mm	G $\frac{1}{2}$ B	Bottom back	Stainless steel 304	1,0	-1/+0.6 bar	RF100Ch D452	85202452
100 mm	G $\frac{1}{2}$ B	Bottom back	Stainless steel 304	1,0	-1/+1.5 bar	RF100Ch D452	85203452
100 mm	G $\frac{1}{2}$ B	Bottom back	Stainless steel 304	1,0	-1/+3 bar	RF100Ch D452	85204452
100 mm	G $\frac{1}{2}$ B	Bottom back	Stainless steel 304	1,0	-1/+5 bar	RF100Ch D452	85205452
100 mm	G $\frac{1}{2}$ B	Bottom back	Stainless steel 304	1,0	-1/+9 bar	RF100Ch D452	85206452
100 mm	G $\frac{1}{2}$ B	Bottom back	Stainless steel 304	1,0	-1/+15 bar	RF100Ch D452	85207452
100 mm	G $\frac{1}{2}$ B	Bottom back	Stainless steel 304	1,0	0/0.6 bar	RF100Ch D452	85209452
100 mm	G $\frac{1}{2}$ B	Bottom back	Stainless steel 304	1,0	0/1 bar	RF100Ch D452	85210452
100 mm	G $\frac{1}{2}$ B	Bottom back	Stainless steel 304	1,0	0/1.6 bar	RF100Ch D452	85211452
100 mm	G $\frac{1}{2}$ B	Bottom back	Stainless steel 304	1,0	0/2.5 bar	RF100Ch D452	85212452
100 mm	G $\frac{1}{2}$ B	Bottom back	Stainless steel 304	1,0	0/4 bar	RF100Ch D452	85213452
100 mm	G $\frac{1}{2}$ B	Bottom back	Stainless steel 304	1,0	0/6 bar	RF100Ch D452	85214452

Blue part no. = in-stock items





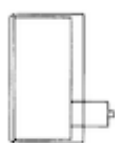
Housing Ø	Connection	Alignment	Housing	Accuracy class	Range	Type	Part no.
100 mm	G½B	Bottom back	Stainless steel 304	1,0	0/10 bar	RF100Ch D452	85215452
100 mm	G½B	Bottom back	Stainless steel 304	1,0	0/16 bar	RF100Ch D452	85216452
100 mm	G½B	Bottom back	Stainless steel 304	1,0	0/25 bar	RF100Ch D452	85217452
100 mm	G½B	Bottom back	Stainless steel 304	1,0	0/40 bar	RF100Ch D452	85218452
100 mm	G½B	Bottom back	Stainless steel 304	1,0	0/60 bar	RF100Ch D452	85219452
100 mm	G½B	Bottom back	Stainless steel 304	1,0	0/100 bar	RF100Ch D452	85220452
100 mm	G½B	Bottom back	Stainless steel 304	1,0	0/160 bar	RF100Ch D452	85221452
100 mm	G½B	Bottom back	Stainless steel 304	1,0	0/250 bar	RF100Ch D452	85222452
100 mm	G½B	Bottom back	Stainless steel 304	1,0	0/400 bar	RF100Ch D452	85223452
100 mm	G½B	Bottom back	Stainless steel 304	1,0	0/600 bar	RF100Ch D452	85224452
100 mm	G½B	Bottom back	Stainless steel 304	1,0	0/1,000 bar	RF100Ch D452	85225452

Blue part no. = in-stock items

RF160Ch D452

Housing Ø	Connection	Alignment	Housing	Accuracy class	Range	Type	Part no.
160 mm	G½B	Bottom back	Stainless steel 304	1,0	-1/0 bar	RF160Ch D452	85251452
160 mm	G½B	Bottom back	Stainless steel 304	1,0	-1/+0.6 bar	RF160Ch D452	85252452
160 mm	G½B	Bottom back	Stainless steel 304	1,0	-1/+1.5 bar	RF160Ch D452	85253452
160 mm	G½B	Bottom back	Stainless steel 304	1,0	-1/+3 bar	RF160Ch D452	85254452
160 mm	G½B	Bottom back	Stainless steel 304	1,0	-1/+5 bar	RF160Ch D452	85255452
160 mm	G½B	Bottom back	Stainless steel 304	1,0	-1/+9 bar	RF160Ch D452	85256452
160 mm	G½B	Bottom back	Stainless steel 304	1,0	-1/+15 bar	RF160Ch D452	85257452
160 mm	G½B	Bottom back	Stainless steel 304	1,0	0/0.6 bar	RF160Ch D452	85259452
160 mm	G½B	Bottom back	Stainless steel 304	1,0	0/1 bar	RF160Ch D452	85260452
160 mm	G½B	Bottom back	Stainless steel 304	1,0	0/1.6 bar	RF160Ch D452	85261452
160 mm	G½B	Bottom back	Stainless steel 304	1,0	0/2.5 bar	RF160Ch D452	85262452
160 mm	G½B	Bottom back	Stainless steel 304	1,0	0/4 bar	RF160Ch D452	85263452
160 mm	G½B	Bottom back	Stainless steel 304	1,0	0/6 bar	RF160Ch D452	85264452
160 mm	G½B	Bottom back	Stainless steel 304	1,0	0/10 bar	RF160Ch D452	85265452
160 mm	G½B	Bottom back	Stainless steel 304	1,0	0/16 bar	RF160Ch D452	85266452

Blue part no. = in-stock items





Housing \varnothing	Connection	Alignment	Housing	Accuracy class	Range	Type	Part no.
160 mm	G $\frac{1}{2}$ B	Bottom back	Stainless steel 304	1,0	0/25 bar	RF160Ch D452	85267452
160 mm	G $\frac{1}{2}$ B	Bottom back	Stainless steel 304	1,0	0/40 bar	RF160Ch D452	85268452
160 mm	G $\frac{1}{2}$ B	Bottom back	Stainless steel 304	1,0	0/60 bar	RF160Ch D452	85269452
160 mm	G $\frac{1}{2}$ B	Bottom back	Stainless steel 304	1,0	0/100 bar	RF160Ch D452	85270452
160 mm	G $\frac{1}{2}$ B	Bottom back	Stainless steel 304	1,0	0/160 bar	RF160Ch D452	85271452
160 mm	G $\frac{1}{2}$ B	Bottom back	Stainless steel 304	1,0	0/250 bar	RF160Ch D452	85272452
160 mm	G $\frac{1}{2}$ B	Bottom back	Stainless steel 304	1,0	0/400 bar	RF160Ch D452	85273452
160 mm	G $\frac{1}{2}$ B	Bottom back	Stainless steel 304	1,0	0/600 bar	RF160Ch D452	85274452
160 mm	G $\frac{1}{2}$ B	Bottom back	Stainless steel 304	1,0	0/1,000 bar	RF160Ch D452	85275452
160 mm	G $\frac{1}{2}$ B	Bottom back	Stainless steel 304	1,0	0/1,600 bar	RF160Ch D452	85276452

Blue part no. = in-stock items