

Twin thermostats with housing GDT



Benefits

- Mechanical temperature controller
- Ideal for all heat and process engineering applications
- With integrated safety temperature cut out
- Control directly at the process

Application

Twin thermostat with housing with pocket. Available with two temperature control thermostats (TRT) for controlling heating and cooling processes in industrial and domestic applications. Also available as version with temperature control thermostat (TRT) and safety temperature cut out (STB) with manual reset knob. The device is suitable for application areas in the field of heat and process engineering.

Description

The temperature measured at the probe causes a change in the volume of the measuring liquid. Electrical switching is triggered by the force acting. The thermowell allows for direct installation pressure-tight tanks.

Technical specifications

Type

GDT/TLSC

Tolerance

GDT/8HR: ± 3 K
GDT/8RS: $+0$ K/ -6 K at ambient temperature 20 °C
GDT/TTCA: ± 3 K

Switching differential

$\Delta T 4 \pm 1$ K

Setting

GDT/8HR: Internal/external
GDT/8RS: Fixed/external
GDT/TTCA: Internal/external

Probe

Copper
 $\varnothing 16$ mm
Length: 100, 280 mm

Probe element

Liquid-filled

Operating temperature range

Probe: Max. 125 °C
Housing: Max. 80 °C

Operating pressure at thermowell

Max. 4 bar

Housing

Plastic (PVC), grey (RAL 7035)

Cable entry

Plastic (PVC), black
M20 x 1.5

Degree of protection

IP 40 (EN 60529)

Time constant

DIN-tested
DIN EN
14597:2012-09
Registration number: TR/STB 1231

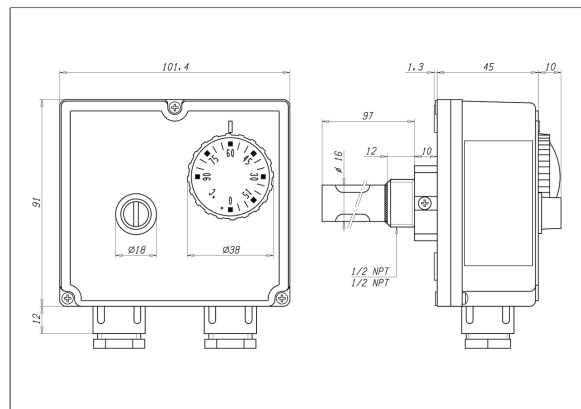
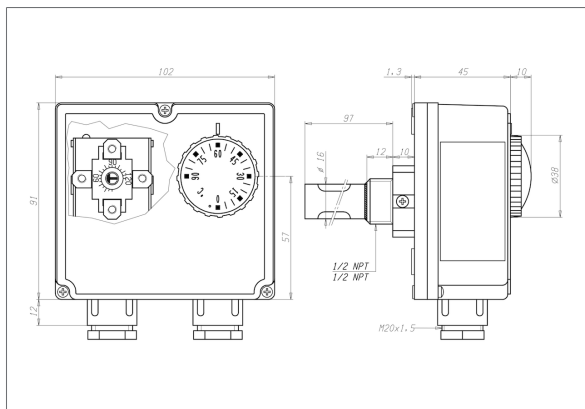
Electrical switching contact

2 x changeover contact

Contact rating

NC: AC 250 V, 10 (2.5) A
NO: AC 250 V, 6 (2.5) A, AC 250 V, 10 (2.5) A

Technical drawings



Versions

	Adjustment	Operating range	Switching point	Stem length	Part no.
Twin thermostat with housing GDT/8HR	Internal/external		–	100 mm	67447X
Twin thermostat with housing GDT/8RS	Fixed/external	0/90 °C	100 °C	100 mm	67453X
Twin thermostat with housing GDT/TTCA	Internal/external		–	280 mm	67640

Blue part no. = in-stock items