



## Magnetic piston pressure gauges for differential pressure - high overload protection



### Benefits

- Compact and robust stainless steel measuring system
- Max. static pressure PN 100, 250, 400
- Leak-proof due to mechanical separation of pressure chamber and display
- Various connection types
- Easy retrofitting of electrical contacts without intervention in the measuring system

### Application

For differential pressure measurements at very high static pressures. For gaseous and liquid, non-adhesive media that are not highly viscous. Particularly suitable for monitoring filters, pumps, pipe systems and cooling circuits.

### Technical specifications

#### Type

MAG80Dif D312  
MAG100Dif D312

#### Nominal size

80 – 100

#### Accuracy

± 3 % of full scale value  
(at increasing differential pressure)

#### Ranges (EN 837-3/5)

See ordering table

#### Standard version

Plastic, glass-fibre reinforced, black

#### Dial

Aluminium, white  
Dual scale (bar/psi)  
Scaling  
90°

#### Options

- 3-hole fixing, panel mounting bezel
- Other connection designs
- Special scales

100 bar

#### Overpressure safety

Up to the maximum static pressure at both ends

#### Operating temperature range

Medium: Max. 80 °C  
Ambient: 0/80 °C

#### Degree of protection

IP 65 (EN 60529)

#### Pointer

Aluminium, black

#### Housing

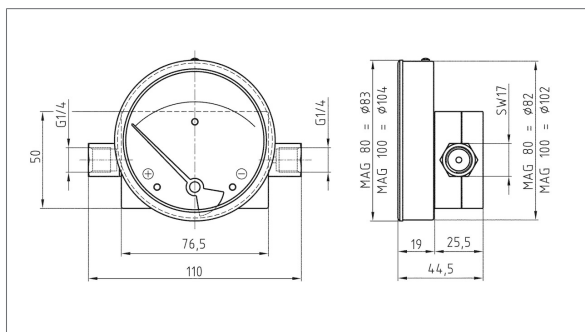
Stainless steel 304

#### Window

Instrument glass



## Technical drawings



## Versions

### MAG80Dif D312

| Housing $\varnothing$ | Housing             | Connection                        | Range      | Type          | Part no. |
|-----------------------|---------------------|-----------------------------------|------------|---------------|----------|
| 80 mm                 | Stainless steel 304 | 2 x G $\frac{1}{4}$ female thread | 0/0.25 bar | MAG80Dif D312 | 88002312 |
| 80 mm                 | Stainless steel 304 | 2 x G $\frac{1}{4}$ female thread | 0/0.4 bar  | MAG80Dif D312 | 88003312 |
| 80 mm                 | Stainless steel 304 | 2 x G $\frac{1}{4}$ female thread | 0/0.6 bar  | MAG80Dif D312 | 88004312 |
| 80 mm                 | Stainless steel 304 | 2 x G $\frac{1}{4}$ female thread | 0/1 bar    | MAG80Dif D312 | 88005312 |
| 80 mm                 | Stainless steel 304 | 2 x G $\frac{1}{4}$ female thread | 0/1.6 bar  | MAG80Dif D312 | 88006312 |
| 80 mm                 | Stainless steel 304 | 2 x G $\frac{1}{4}$ female thread | 0/2.5 bar  | MAG80Dif D312 | 88007312 |
| 80 mm                 | Stainless steel 304 | 2 x G $\frac{1}{4}$ female thread | 0/4 bar    | MAG80Dif D312 | 88008312 |
| 80 mm                 | Stainless steel 304 | 2 x G $\frac{1}{4}$ female thread | 0/6 bar    | MAG80Dif D312 | 88009312 |
| 80 mm                 | Stainless steel 304 | 2 x G $\frac{1}{4}$ female thread | 0/10 bar   | MAG80Dif D312 | 88010312 |

Blue part no. = in-stock items

### MAG100Dif D312

| Housing $\varnothing$ | Housing             | Connection                        | Range      | Type           | Part no. |
|-----------------------|---------------------|-----------------------------------|------------|----------------|----------|
| 100 mm                | Stainless steel 304 | 2 x G $\frac{1}{4}$ female thread | 0/0.25 bar | MAG100Dif D312 | 88013312 |
| 100 mm                | Stainless steel 304 | 2 x G $\frac{1}{4}$ female thread | 0/0.4 bar  | MAG100Dif D312 | 88014312 |
| 100 mm                | Stainless steel 304 | 2 x G $\frac{1}{4}$ female thread | 0/0.6 bar  | MAG100Dif D312 | 88015312 |
| 100 mm                | Stainless steel 304 | 2 x G $\frac{1}{4}$ female thread | 0/1 bar    | MAG100Dif D312 | 88016312 |
| 100 mm                | Stainless steel 304 | 2 x G $\frac{1}{4}$ female thread | 0/1.6 bar  | MAG100Dif D312 | 88017312 |
| 100 mm                | Stainless steel 304 | 2 x G $\frac{1}{4}$ female thread | 0/2.5 bar  | MAG100Dif D312 | 88018312 |

Blue part no. = in-stock items



| Housing $\varnothing$ | Housing             | Connection                        | Range    | Type           | Part no. |
|-----------------------|---------------------|-----------------------------------|----------|----------------|----------|
| 100 mm                | Stainless steel 304 | 2 x G $\frac{1}{4}$ female thread | 0/4 bar  | MAG100Dif D312 | 88019312 |
| 100 mm                | Stainless steel 304 | 2 x G $\frac{1}{4}$ female thread | 0/6 bar  | MAG100Dif D312 | 88020312 |
| 100 mm                | Stainless steel 304 | 2 x G $\frac{1}{4}$ female thread | 0/10 bar | MAG100Dif D312 | 88021312 |

Blue part no. = in-stock items