



Diaphragm pressure gauges for chemical applications Type D4



Benefits

- For low pressure ranges
- High overload protection
- High resistance
- Optional flange connections

Application

For corrosive gaseous and liquid media, also for use in corrosive environments. With open connection flange also suitable for viscous and polluted media. For measuring gas or vapour, observe the table "Selection Criteria as per EN 837-2" (see appendix)!

Technical specifications

Type
D4

Nominal size
100 – 160

Accuracy class (EN 837-3/6)
1,6

Ranges (EN 837-3/5)
See ordering table

Application area
Static load: Full scale value
Dynamic load: 0.9 x full scale value

Overpressure safety
At least 5 x FS
Max. 40 bar

Operating temperature range
Medium: Max. 100 °C
Ambient: -20/+60 °C

Temperature performance
Indication error when the temperature of the measuring system deviates from the normal temperature of 20 °C:
of full scale value

Degree of protection
IP 54 (EN 60529)



Standard version

Connection

Stainless steel 316 Ti/316 L, bottom
 Stainless steel 316 Ti/316 L
 Stainless steel 304

Measuring element

Diaphragm
 Duratherm
 Stainless steel 316 Ti/316 L

Seal

FPM (Viton)

Movement

Stainless steel

Dial

Aluminium, white
 Scaling black

Pointer

Aluminium, black

Housing

Stainless steel 304, with blow-out

Bayonet type bezel

Stainless steel 304

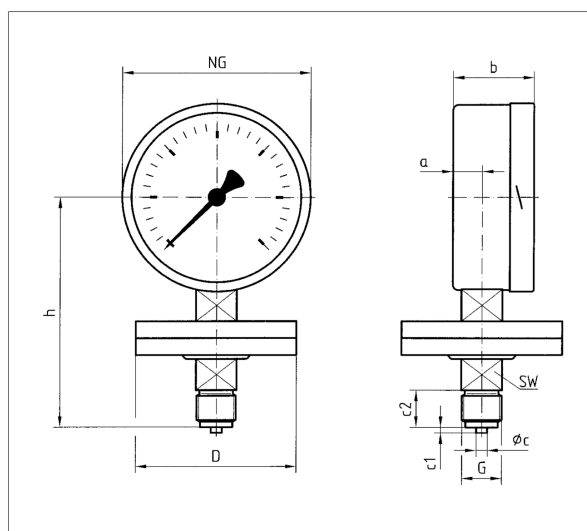
Window

Laminated safety glass

Options

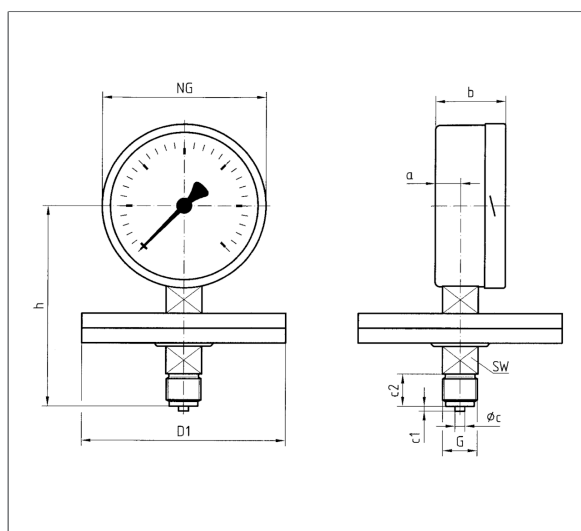
- Electrical contacts

Technical drawings



Dimensions (mm)

NG	a	b	∅c	c1	c2	D	G	h	SW
100	20	55	6	3	20	100	G½B	127	22



Dimensions (mm)

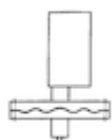
NG	a	b	∅c	c1	c2	D1	G	h	SW
160	20	55	6	3	20	160	G½B	156	22



Versions

PF100Ch D402

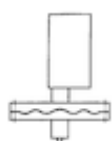
Housing \varnothing	Housing	Accuracy class	Range	Type	Part no.
100 mm	Stainless steel 304	1,6	0/0.4 bar	PF100Ch D402	85909402
100 mm	Stainless steel 304	1,6	0/0.6 bar	PF100Ch D402	85910402
100 mm	Stainless steel 304	1,6	0/1 bar	PF100Ch D402	85911402
100 mm	Stainless steel 304	1,6	0/1.6 bar	PF100Ch D402	85912402
100 mm	Stainless steel 304	1,6	0/2.5 bar	PF100Ch D402	85913402
100 mm	Stainless steel 304	1,6	0/4 bar	PF100Ch D402	85914402
100 mm	Stainless steel 304	1,6	0/6 bar	PF100Ch D402	85915402
100 mm	Stainless steel 304	1,6	0/10 bar	PF100Ch D402	85916402
100 mm	Stainless steel 304	1,6	0/16 bar	PF100Ch D402	85917402
100 mm	Stainless steel 304	1,6	0/25 bar	PF100Ch D402	85918402
100 mm	Stainless steel 304	1,6	0/10 mbar	PF100Ch D402	85901402
100 mm	Stainless steel 304	1,6	0/16 mbar	PF100Ch D402	85902402
100 mm	Stainless steel 304	1,6	0/25 mbar	PF100Ch D402	85903402
100 mm	Stainless steel 304	1,6	0/40 mbar	PF100Ch D402	85904402
100 mm	Stainless steel 304	1,6	0/60 mbar	PF100Ch D402	85905402
100 mm	Stainless steel 304	1,6	0/100 mbar	PF100Ch D402	85906402
100 mm	Stainless steel 304	1,6	0/160 mbar	PF100Ch D402	85907402
100 mm	Stainless steel 304	1,6	0/250 mbar	PF100Ch D402	85908402



Blue part no. = in-stock items

PF160Ch D402

Housing \varnothing	Housing	Accuracy class	Range	Type	Part no.
160 mm	Stainless steel 304	1,6	0/0.4 bar	PF160Ch D402	85959402
160 mm	Stainless steel 304	1,6	0/0.6 bar	PF160Ch D402	85960402
160 mm	Stainless steel 304	1,6	0/1 bar	PF160Ch D402	85961402
160 mm	Stainless steel 304	1,6	0/1.6 bar	PF160Ch D402	85962402
160 mm	Stainless steel 304	1,6	0/2.5 bar	PF160Ch D402	85963402



Blue part no. = in-stock items



Housing Ø	Housing	Accuracy class	Range	Type	Part no.
160 mm	Stainless steel 304	1,6	0/4 bar	PF160Ch D402	85964402
160 mm	Stainless steel 304	1,6	0/6 bar	PF160Ch D402	85965402
160 mm	Stainless steel 304	1,6	0/10 bar	PF160Ch D402	85966402
160 mm	Stainless steel 304	1,6	0/16 bar	PF160Ch D402	85967402
160 mm	Stainless steel 304	1,6	0/25 bar	PF160Ch D402	85968402
160 mm	Stainless steel 304	1,6	0/10 mbar	PF160Ch D402	85951402
160 mm	Stainless steel 304	1,6	0/16 mbar	PF160Ch D402	85952402
160 mm	Stainless steel 304	1,6	0/25 mbar	PF160Ch D402	85953402
160 mm	Stainless steel 304	1,6	0/40 mbar	PF160Ch D402	85954402
160 mm	Stainless steel 304	1,6	0/60 mbar	PF160Ch D402	85955402
160 mm	Stainless steel 304	1,6	0/100 mbar	PF160Ch D402	85956402
160 mm	Stainless steel 304	1,6	0/160 mbar	PF160Ch D402	85957402
160 mm	Stainless steel 304	1,6	0/250 mbar	PF160Ch D402	85958402

Blue part no. = in-stock items