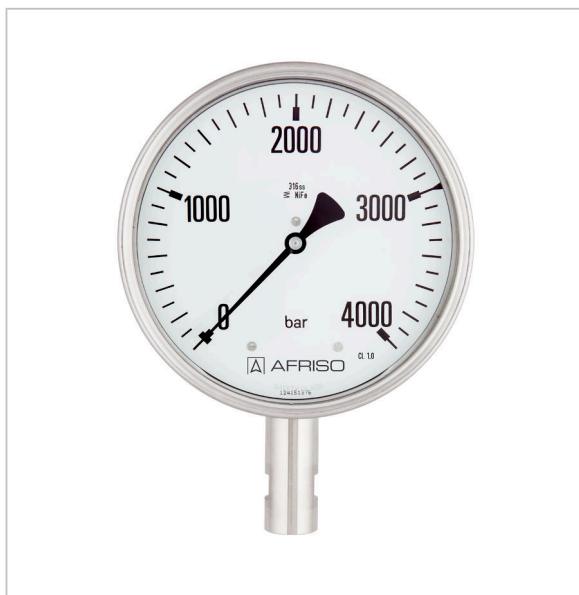




Bourdon tube pressure gauges for high pressure Type D4



Benefits

- For pressure ranges up to 4,000 bar
- Housing with solid baffle wall and blow-out

Application

For measurement of extremely high pressures in gaseous and liquid corrosive media which are not highly viscous and do not crystallise; also suitable for corrosive atmospheres.

Technical specifications

Type

D4

Nominal size

100 – 160

Accuracy class (EN 837-1/6)

1,0

Ranges

0/2,500 bar

0/4,000 bar

Standard version

Connection

Stainless steel 316 L, bottom

HP connection 1/4" with female thread M16 x 1.5 with sealing cone 60°

Measuring element

Bourdon tube, NiFe alloy

Helical tube

Movement

Stainless steel

Dial

Aluminium, white

Scaling black

Operating temperature range

Medium: Max. 100 °C

Ambient: -20/+60 °C

Temperature performance

Indication error when the temperature of the measuring system deviates from the normal temperature of 20 °C: of full scale value

Degree of protection

IP 54 (EN 60529)

Pointer

Aluminium, black

Housing

Stainless steel 304

Bayonet type bezel

Stainless steel 304

Window

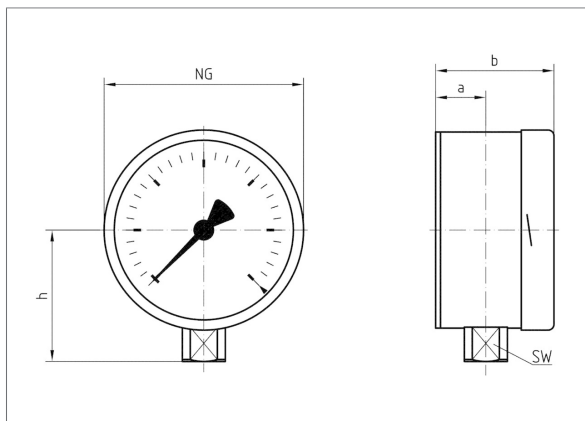
Laminated safety glass



Options

- 3-hole fixing, panel mounting bezel
- Other process connections

Technical drawings



Dimensions (mm)

NG	a	b	h	SW
100	27	60	71	22
160	34	78	139	22

Versions

RF100HD D402

	Housing \varnothing	Connection	Alignment	Housing	Accuracy class	Range	Type	Part no.
	100 mm	HP connection 1/4" with female thread M16 x 1.5	Bottom	Stainless steel 304	1,0	0/2,500 bar	RF100HD D402	85247402
	100 mm	HP connection 1/4" with female thread M16 x 1.5	Bottom	Stainless steel 304	1,0	0/4,000 bar	RF100HD D402	85248402

Blue part no. = in-stock items

RF160HD D402

	Housing \varnothing	Connection	Alignment	Housing	Accuracy class	Range	Type	Part no.
	160 mm	HP connection 1/4" with female thread M16 x 1.5	Bottom	Stainless steel 304	1,0	0/2,500 bar	RF160HD D402	85277402
	160 mm	HP connection 1/4" with female thread M16 x 1.5	Bottom	Stainless steel 304	1,0	0/4,000 bar	RF160HD D402	85278402

Blue part no. = in-stock items