



In-line chemical seal RD 50 for hygienic processes



Benefits

- For dairy fitting DIN 11851
- No T piece required in pipe
- Easy, fast installation in pipe

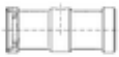
Application

For use with Bourdon tube pressure gauges, pressure transducers or pressure switches. For flowing, corrosive and highly viscous media; designed for direct installation in pipes. Typical application areas:

- Biochemical applications
- Food and luxury food industry
- Beverages industry
- Pharmaceutical industry

Versions

male thread DIN 11851

	Process connection	Instrument connection	Nominal pressure	Minimum range* (in bar) at nominal size				Part no.
				63	100	160	DMU	
	DN 15	Welded connection	PN 40	1.6 bar	–	–	4 bar	31952W
	DN 25	Welded connection	PN 40	1.6 bar	2.5 bar	–	1 bar	31365W
	DN 32	Welded connection	PN 40	1 bar	2.5 bar	–	1 bar	31953W
	DN 40	Welded connection	PN 40	1 bar	2.5 bar	4 bar	1 bar	31366W
	DN 50	Welded connection	PN 25	1 bar	2.5 bar	4 bar	0.6 bar	31367W
	DN 80	Welded connection	PN 25	1 bar	2.5 bar	4 bar	0.6 bar	31369W

Blue part no. = in-stock items



Technical specifications

Process connection/tubus

Stainless steel 316 L
Male thread DIN 11851

Diaphragm

Stainless steel 316 L, welded to body, no dead space

Instrument connection

Stainless steel 316 L
Welded connection

Pressure transmission liquid

Paraffin oil (FM 09), FDA-listed

Pressure range

See ordering table

Nominal pressure

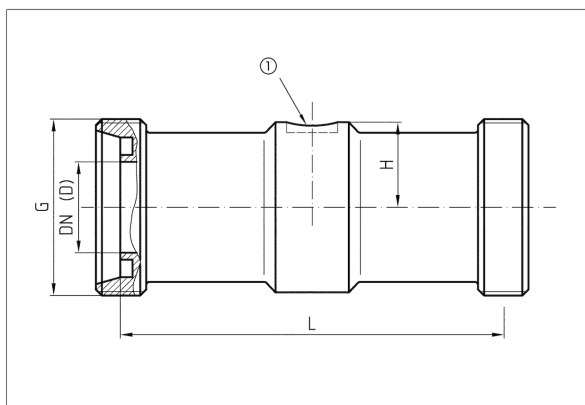
PN 40, PN 25

Options

- Capillary tube

Technical drawings

Type RD 50 - DIN 11851/DIN 11887



DN	PN	G	L	D	H
15	40	Rd34x1/6"	240	16	20
25	40	Rd52x1/6"	110	26	24
32	40	Rd58x1/6"	110	32	29
40	40	Rd65x1/6"	110	38	31,5
50	25	Rd78x1/6"	110	50	37
65	25	Rd95x1/6"	110	66	45
80	25	Rd110x1/4"	60	81	51,5