



Stainless steel Bourdon tube pressure gauges Type D3



Benefits

- Extremely compact design
- Wetted parts and movement made of stainless steel
- Pressure connection welded to housing
- Optional for control cabinet mounting
- Tightness-tested with helium
- GOSSTANDART-certified

Application

For corrosive gaseous and liquid media which are not highly viscous and do not crystallise.
! For measuring gas or vapour, observe the table "Selection Criteria as per EN 837-2" (see appendix)!

Technical specifications

Type
D3

Nominal size
40

Accuracy class (EN 837-1/6)
2,5

Ranges (EN 837-1/5)
See ordering table

Application area

Static load: $\frac{1}{4}$ x full scale value
Dynamic load: $\frac{1}{2}$ x full scale value
Short-term: Full scale value

Operating temperature range

Medium: Max. 100 °C
Ambient: -20/+60 °C

Temperature performance

Indication error when the temperature of the measuring system deviates from the normal temperature of 20 °C:
of full scale value

Degree of protection

IP 32 (EN 60529)



Standard version

Connection

Stainless steel 316 L, bottom or centre back

Measuring element

Bourdon tube, Stainless steel 316 L

≤ 60 bar: "C" type tube

> 60 bar: Helical tube

Tightness-tested with helium

Movement

Stainless steel

Dial

Aluminium, white

Scaling black

Pointer

Aluminium, black

Housing

Stainless steel 304

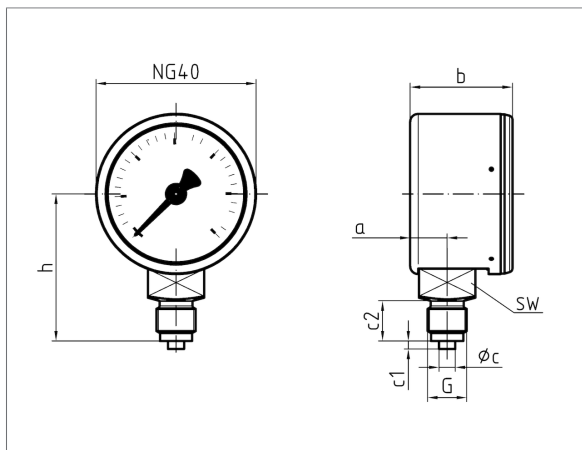
Window

Plastic, clipped in

Options

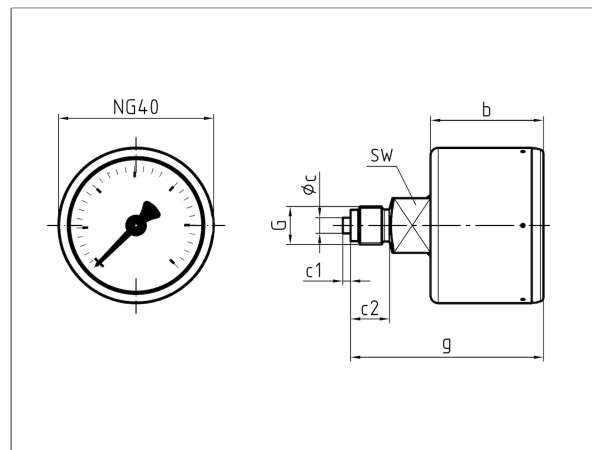
- 3-hole fixing, panel mounting bezel
- Special scales
- Other process connections

Technical drawings



Dimensions (mm)

NG	a	b	∅c	c1	c2	G	h	SW
40	9,2	25,5	4	2	10	G $\frac{1}{4}$ B	36,5	14



Dimensions (mm)

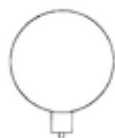
NG	b	∅c	c1	c2	G	g	SW
40	29	4	2	10	G $\frac{1}{4}$ B	49,5	14



Versions

RF40E D302

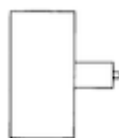
Housing Ø	Connection	Alignment	Housing	Accuracy class	Range	Type	Part no.
40 mm	G½B	Bottom	Stainless steel 304	2,5	0/1.6 bar	RF40E D302	85011302
40 mm	G½B	Bottom	Stainless steel 304	2,5	0/2.5 bar	RF40E D302	85012302
40 mm	G½B	Bottom	Stainless steel 304	2,5	0/4 bar	RF40E D302	85013302
40 mm	G½B	Bottom	Stainless steel 304	2,5	0/6 bar	RF40E D302	85014302
40 mm	G½B	Bottom	Stainless steel 304	2,5	0/10 bar	RF40E D302	85015302
40 mm	G½B	Bottom	Stainless steel 304	2,5	0/16 bar	RF40E D302	85016302
40 mm	G½B	Bottom	Stainless steel 304	2,5	0/25 bar	RF40E D302	85017302
40 mm	G½B	Bottom	Stainless steel 304	2,5	0/40 bar	RF40E D302	85018302
40 mm	G½B	Bottom	Stainless steel 304	2,5	0/60 bar	RF40E D302	85019302
40 mm	G½B	Bottom	Stainless steel 304	2,5	0/100 bar	RF40E D302	85020302
40 mm	G½B	Bottom	Stainless steel 304	2,5	0/160 bar	RF40E D302	85021302
40 mm	G½B	Bottom	Stainless steel 304	2,5	0/250 bar	RF40E D302	85022302
40 mm	G½B	Bottom	Stainless steel 304	2,5	0/400 bar	RF40E D302	85023302
40 mm	G½B	Bottom	Stainless steel 304	2,5	0/600 bar	RF40E D302	85024302



Blue part no. = in-stock items

RF40E D312

Housing Ø	Connection	Alignment	Housing	Accuracy class	Range	Type	Part no.
40 mm	G½B	Centre back	Stainless steel 304	2,5	0/1.6 bar	RF40E D312	85011312
40 mm	G½B	Centre back	Stainless steel 304	2,5	0/2.5 bar	RF40E D312	85012312
40 mm	G½B	Centre back	Stainless steel 304	2,5	0/4 bar	RF40E D312	85013312
40 mm	G½B	Centre back	Stainless steel 304	2,5	0/6 bar	RF40E D312	85014312
40 mm	G½B	Centre back	Stainless steel 304	2,5	0/10 bar	RF40E D312	85015312
40 mm	G½B	Centre back	Stainless steel 304	2,5	0/16 bar	RF40E D312	85016312
40 mm	G½B	Centre back	Stainless steel 304	2,5	0/25 bar	RF40E D312	85017312
40 mm	G½B	Centre back	Stainless steel 304	2,5	0/40 bar	RF40E D312	85018312
40 mm	G½B	Centre back	Stainless steel 304	2,5	0/60 bar	RF40E D312	85019312



Blue part no. = in-stock items



Housing Ø	Connection	Alignment	Housing	Accuracy class	Range	Type	Part no.
40 mm	G½B	Centre back	Stainless steel 304	2,5	0/100 bar	RF40E D312	85020312
40 mm	G½B	Centre back	Stainless steel 304	2,5	0/160 bar	RF40E D312	85021312
40 mm	G½B	Centre back	Stainless steel 304	2,5	0/250 bar	RF40E D312	85022312
40 mm	G½B	Centre back	Stainless steel 304	2,5	0/400 bar	RF40E D312	85023312
40 mm	G½B	Centre back	Stainless steel 304	2,5	0/600 bar	RF40E D312	85024312

Blue part no. = in-stock items

RF40E D332

Housing Ø	Connection	Alignment	Housing	Accuracy class	Range	Type	Part no.
40 mm	G½B	Centre back	Stainless steel 304	2,5	0/1.6 bar	RF40E D332	85011332
40 mm	G½B	Centre back	Stainless steel 304	2,5	0/2.5 bar	RF40E D332	85012332
40 mm	G½B	Centre back	Stainless steel 304	2,5	0/4 bar	RF40E D332	85013332
40 mm	G½B	Centre back	Stainless steel 304	2,5	0/6 bar	RF40E D332	85014332
40 mm	G½B	Centre back	Stainless steel 304	2,5	0/10 bar	RF40E D332	85015332
40 mm	G½B	Centre back	Stainless steel 304	2,5	0/16 bar	RF40E D332	85016332
40 mm	G½B	Centre back	Stainless steel 304	2,5	0/25 bar	RF40E D332	85017332
40 mm	G½B	Centre back	Stainless steel 304	2,5	0/40 bar	RF40E D332	85018332
40 mm	G½B	Centre back	Stainless steel 304	2,5	0/60 bar	RF40E D332	85019332
40 mm	G½B	Centre back	Stainless steel 304	2,5	0/100 bar	RF40E D332	85020332
40 mm	G½B	Centre back	Stainless steel 304	2,5	0/160 bar	RF40E D332	85021332
40 mm	G½B	Centre back	Stainless steel 304	2,5	0/250 bar	RF40E D332	85022332
40 mm	G½B	Centre back	Stainless steel 304	2,5	0/400 bar	RF40E D332	85023332
40 mm	G½B	Centre back	Stainless steel 304	2,5	0/600 bar	RF40E D332	85024332

Blue part no. = in-stock items

