

Thermostats with housing GTK With capillary tube



Benefits

- Mechanical temperature controller for remote measurement
- For controlling heating and cooling processes
- Ideal for heat and process engineering

Application

Mechanical temperature controller and limiter for remote measurement. The device is suitable for application areas in the field of heat and process engineering. Heating and cooling processes in industrial and domestic applications (in particular solar systems) are easy to control and monitor.

Description

The temperature measured at the probe causes a change in the volume of the measuring liquid in the probe-capillary system. Electrical switching is triggered by the force acting. A thermowell allows for pressure-tight installation of the probe in various types of pressurised tanks.



Technical specifications

Type

GTK/TC2

Operating range

0/90 °C

Tolerance

±0.4 %/10 K

Switching differential

ΔT 4 ± 1 K

Setting

External

Probe

Copper

∅ 6.5 x 95 mm

Probe element

Liquid-filled

Operating temperature range

Probe: Max. 150 °C

Housing: Max. 80 °C

Housing

Plastic (PVC), grey (RAL 7035)

Cable entry

Plastic (PVC), black

M20 x 1.5

Capillary tube

Cu capillary tube with

PVC coating, black

Length: 1,000, 2,000 mm

Degree of protection

IP 40 (EN 60529)

Time constant

DIN-tested

DIN EN

14597:2012-09

Registration number: TR/STB 1211

Electrical switching contact

Changeover contact

Contact rating

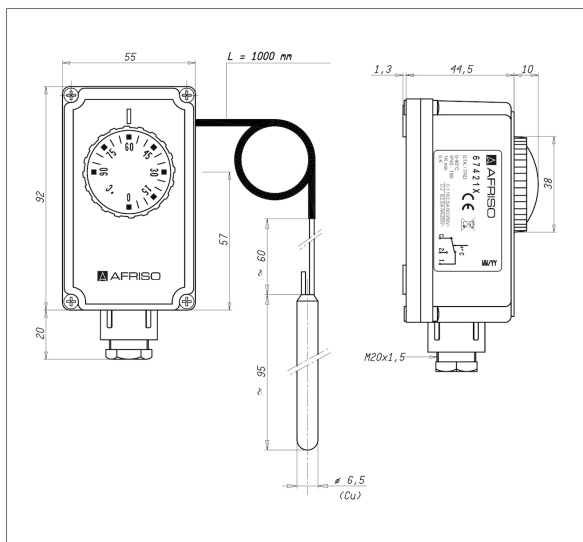
NC: AC 250 V, 10 (2.5) A

NO: AC 250 V, 6 (2.5) A

Options

- Customised versions

Technical drawings





Versions

	Adjustment	Operating range	Capillary length	Part no.
Thermostat with housing GT-K/7RD	External	0/90 °C	1,000 mm	67421X
Thermostat with housing GT-K/7RD	External	0/90 °C	2,000 mm	67424X

Blue part no. = in-stock items