



## Stainless steel diaphragm pressure gauges Type D4



### Benefits

- Robust and compact design
- Various process connections possible
- Flush mounted versions without transmission liquid
- Wetted area without seals due to welding
- GOSSTANDART-certified
- ATEX version (optional)

### Application

For corrosive gaseous and liquid media, also for use in corrosive environments. With open connection flange also suitable for viscous and polluted media; with hygienic connections specially suitable for pharmaceutical processes. For measuring gas or vapour, observe the table "Selection Criteria as per EN 837-2" (see appendix)!

### Technical specifications

#### Type

D4

#### Nominal size

100 – 160

#### Accuracy class (EN 837-3/6)

1,6

#### Ranges (EN 837-3/5)

See ordering table

#### Application area

Static load: Full scale value

Dynamic load: 0.9 x full scale value

#### Overpressure safety

At least 5 x FS

Max. 40 bar

#### Operating temperature range

Medium: Max. 100 °C

Ambient: -20/+60 °C

#### Temperature performance

Indication error when the temperature of the measuring system deviates from the normal temperature of 20 °C:  
of full scale value

#### Degree of protection

IP 54 (EN 60529)

### Standard version

#### Connection

Stainless steel 316 Ti/316 L, bottom

Stainless steel 316 Ti/316 L

Stainless steel 316 L

#### Measuring element

Diaphragm

Stainless steel 316 Ti/316 L

Duratherm

#### Movement

Stainless steel

#### Dial

Aluminium, white

Scaling black

#### Pointer

Aluminium, black

#### Housing

Stainless steel 304, with blow-out

#### Bayonet type bezel

Stainless steel 304

#### Window

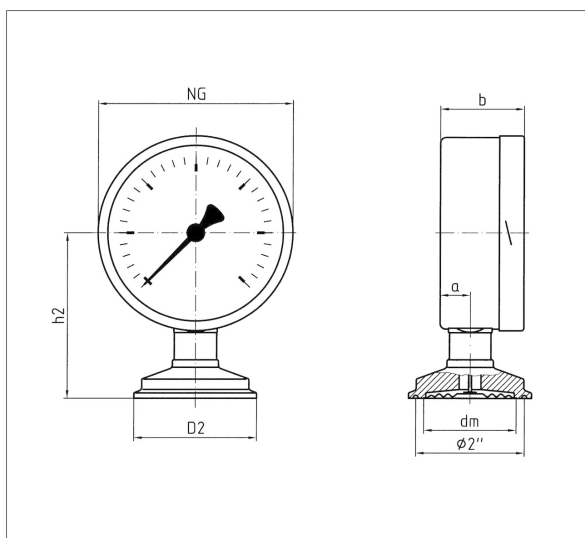
Laminated safety glass



## Options

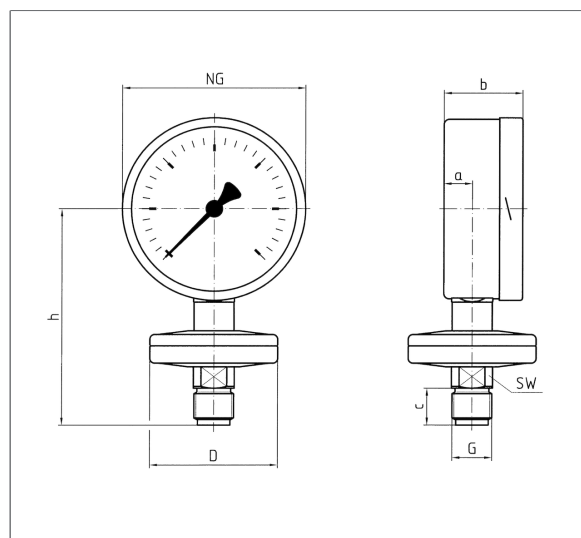
- Clamp connection

## Technical drawings



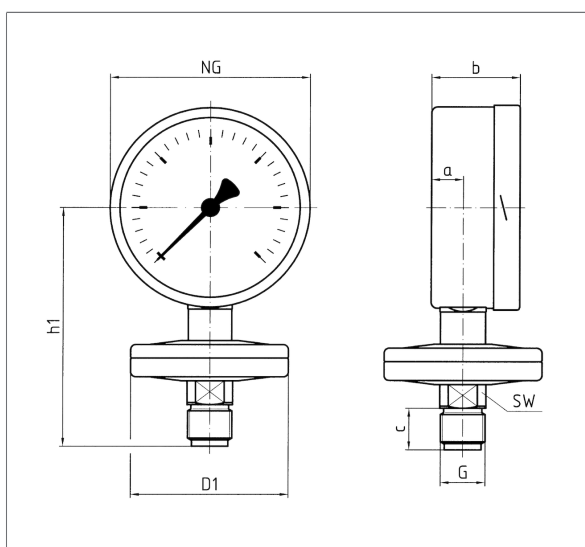
Dimensions (mm)

NG	a	b	dm	D2	h2
100	15,6	49	48	64	86
160	17,5	50	48	64	117



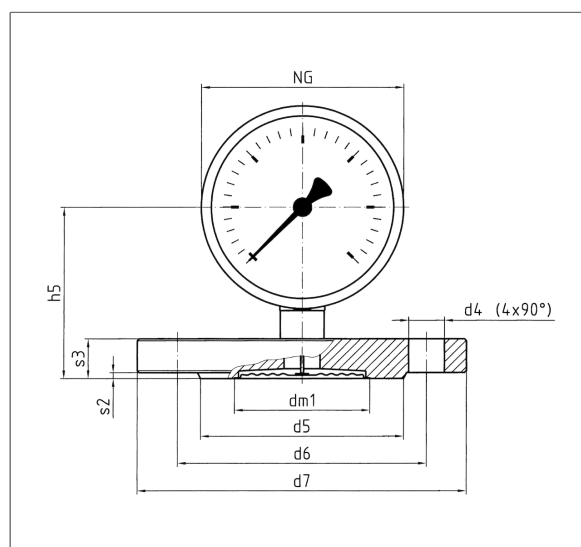
Dimensions (mm)

NG	a	b	c	D	G	h	SW
100	15,6	49	20	69	G½B	117	22
160	17,5	50	20	69	G½B	148	22



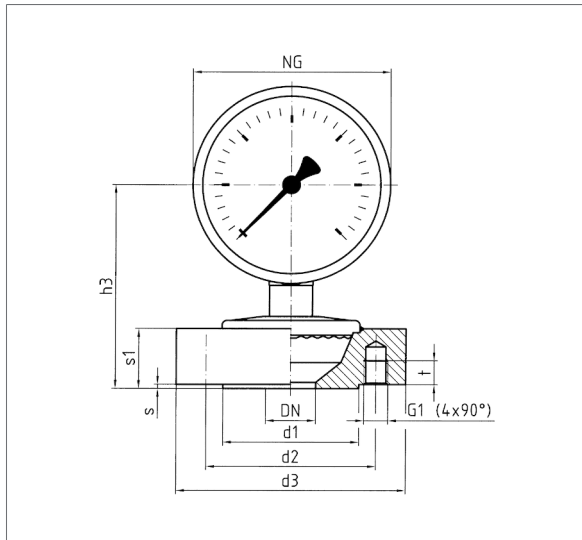
Dimensions (mm)

NG	a	b	c	D1	G	h1	SW
100	15,6	49	20	78	G½B	117	22
160	17,5	50	20	78	G½B	148	22



Dimensions (mm)

NG	d4	d5	d6	d7	dm1	h5	s2	s3
100	4x∅18	102	125	165	68	86	3	20
160	4x∅18	102	125	165	68	117	3	20



### Dimensions (mm)

NG	d1	d2	d3	G1	h3	s	s1
100	68	85	115	4xM12	102	2	30
160	68	85	115	4xM12	133	2	30

### Versions

#### PF100CP D402

	Housing $\varnothing$	Housing	Accuracy class	Range	Type	Part no.
	100 mm	Stainless steel 304	1,6	0/1 bar	PF100CP D402	88980402
	100 mm	Stainless steel 304	1,6	0/1.6 bar	PF100CP D402	88981402
	100 mm	Stainless steel 304	1,6	0/2.5 bar	PF100CP D402	88982402
	100 mm	Stainless steel 304	1,6	0/4 bar	PF100CP D402	88983402
	100 mm	Stainless steel 304	1,6	0/6 bar	PF100CP D402	88984402

Blue part no. = in-stock items

#### PF160CP D402

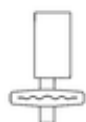
	Housing $\varnothing$	Housing	Accuracy class	Range	Type	Part no.
	160 mm	Stainless steel 304	1,6	0/1 bar	PF160CP D402	88990402
	160 mm	Stainless steel 304	1,6	0/1.6 bar	PF160CP D402	88991402
	160 mm	Stainless steel 304	1,6	0/2.5 bar	PF160CP D402	88992402
	160 mm	Stainless steel 304	1,6	0/4 bar	PF160CP D402	88993402
	160 mm	Stainless steel 304	1,6	0/6 bar	PF160CP D402	88994402

Blue part no. = in-stock items



**PF100E D402**

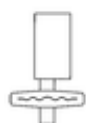
Housing $\varnothing$	Housing	Accuracy class	Range	Type	Part no.
100 mm	Stainless steel 304	1,6	0/0.6 bar	PF100E D402	85890402
100 mm	Stainless steel 304	1,6	0/1 bar	PF100E D402	85891402
100 mm	Stainless steel 304	1,6	0/1.6 bar	PF100E D402	85892402
100 mm	Stainless steel 304	1,6	0/2.5 bar	PF100E D402	85893402
100 mm	Stainless steel 304	1,6	0/4 bar	PF100E D402	85894402
100 mm	Stainless steel 304	1,6	0/6 bar	PF100E D402	85895402
100 mm	Stainless steel 304	1,6	0/10 bar	PF100E D402	85896402
100 mm	Stainless steel 304	1,6	0/16 bar	PF100E D402	85897402
100 mm	Stainless steel 304	1,6	0/25 bar	PF100E D402	85898402
100 mm	Stainless steel 304	1,6	0/100 mbar	PF100E D402	85886402
100 mm	Stainless steel 304	1,6	0/160 mbar	PF100E D402	85887402
100 mm	Stainless steel 304	1,6	0/250 mbar	PF100E D402	85888402
100 mm	Stainless steel 304	1,6	0/400 mbar	PF100E D402	85889402



Blue part no. = in-stock items

**PF160E D402**

Housing $\varnothing$	Housing	Accuracy class	Range	Type	Part no.
160 mm	Stainless steel 304	1,6	0/0.6 bar	PF160E D402	85930402
160 mm	Stainless steel 304	1,6	0/1 bar	PF160E D402	85931402
160 mm	Stainless steel 304	1,6	0/1.6 bar	PF160E D402	85932402
160 mm	Stainless steel 304	1,6	0/2.5 bar	PF160E D402	85933402
160 mm	Stainless steel 304	1,6	0/4 bar	PF160E D402	85934402
160 mm	Stainless steel 304	1,6	0/6 bar	PF160E D402	85935402
160 mm	Stainless steel 304	1,6	0/10 bar	PF160E D402	85936402
160 mm	Stainless steel 304	1,6	0/16 bar	PF160E D402	85937402
160 mm	Stainless steel 304	1,6	0/25 bar	PF160E D402	85938402
160 mm	Stainless steel 304	1,6	0/100 mbar	PF160E D402	85926402



Blue part no. = in-stock items



Housing $\varnothing$	Housing	Accuracy class	Range	Type	Part no.
160 mm	Stainless steel 304	1,6	0/160 mbar	PF160E D402	85927402
160 mm	Stainless steel 304	1,6	0/250 mbar	PF160E D402	85928402
160 mm	Stainless steel 304	1,6	0/400 mbar	PF160E D402	85929402

Blue part no. = in-stock items

#### PF100FL D402

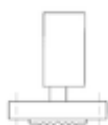
Housing $\varnothing$	Housing	Accuracy class	Range	Type	Part no.
100 mm	Stainless steel 304	1,6	0/0.6 bar	PF100FL D402	88950402
100 mm	Stainless steel 304	1,6	0/1 bar	PF100FL D402	88951402
100 mm	Stainless steel 304	1,6	0/1.6 bar	PF100FL D402	88952402
100 mm	Stainless steel 304	1,6	0/2.5 bar	PF100FL D402	88953402
100 mm	Stainless steel 304	1,6	0/4 bar	PF100FL D402	88954402
100 mm	Stainless steel 304	1,6	0/6 bar	PF100FL D402	88955402
100 mm	Stainless steel 304	1,6	0/10 bar	PF100FL D402	88956402
100 mm	Stainless steel 304	1,6	0/16 bar	PF100FL D402	88957402
100 mm	Stainless steel 304	1,6	0/25 bar	PF100FL D402	88958402
100 mm	Stainless steel 304	1,6	0/100 mbar	PF100FL D402	88946402
100 mm	Stainless steel 304	1,6	0/160 mbar	PF100FL D402	88947402
100 mm	Stainless steel 304	1,6	0/250 mbar	PF100FL D402	88948402
100 mm	Stainless steel 304	1,6	0/400 mbar	PF100FL D402	88949402



Blue part no. = in-stock items

#### PF160FL D402

Housing $\varnothing$	Housing	Accuracy class	Range	Type	Part no.
160 mm	Stainless steel 304	1,6	0/0.6 bar	PF160FL D402	88970402
160 mm	Stainless steel 304	1,6	0/1 bar	PF160FL D402	88971402
160 mm	Stainless steel 304	1,6	0/1.6 bar	PF160FL D402	88972402
160 mm	Stainless steel 304	1,6	0/2.5 bar	PF160FL D402	88973402
160 mm	Stainless steel 304	1,6	0/4 bar	PF160FL D402	88974402
160 mm	Stainless steel 304	1,6	0/6 bar	PF160FL D402	88975402
160 mm	Stainless steel 304	1,6	0/10 bar	PF160FL D402	88976402



Blue part no. = in-stock items

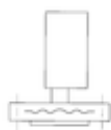


Housing Ø	Housing	Accuracy class	Range	Type	Part no.
160 mm	Stainless steel 304	1,6	0/16 bar	PF160FL D402	88977402
160 mm	Stainless steel 304	1,6	0/25 bar	PF160FL D402	88978402
160 mm	Stainless steel 304	1,6	0/100 mbar	PF160FL D402	88966402
160 mm	Stainless steel 304	1,6	0/160 mbar	PF160FL D402	88967402
160 mm	Stainless steel 304	1,6	0/250 mbar	PF160FL D402	88968402
160 mm	Stainless steel 304	1,6	0/400 mbar	PF160FL D402	88969402

Blue part no. = in-stock items

#### PF100FLO D402

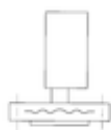
Housing Ø	Housing	Accuracy class	Range	Type	Part no.
100 mm	Stainless steel 304	1,6	0/0.6 bar	PF100FLO D402	88910402
100 mm	Stainless steel 304	1,6	0/1 bar	PF100FLO D402	88911402
100 mm	Stainless steel 304	1,6	0/1.6 bar	PF100FLO D402	88912402
100 mm	Stainless steel 304	1,6	0/2.5 bar	PF100FLO D402	88913402
100 mm	Stainless steel 304	1,6	0/4 bar	PF100FLO D402	88914402
100 mm	Stainless steel 304	1,6	0/6 bar	PF100FLO D402	88915402
100 mm	Stainless steel 304	1,6	0/10 bar	PF100FLO D402	88916402
100 mm	Stainless steel 304	1,6	0/16 bar	PF100FLO D402	88917402
100 mm	Stainless steel 304	1,6	0/25 bar	PF100FLO D402	88918402
100 mm	Stainless steel 304	–	0/100 mbar	PF100FLO D402	88906402
100 mm	Stainless steel 304	–	0/160 mbar	PF100FLO D402	88907402
100 mm	Stainless steel 304	–	0/250 mbar	PF100FLO D402	88908402
100 mm	Stainless steel 304	–	0/400 mbar	PF100FLO D402	88909402



Blue part no. = in-stock items

#### PF160FLO D402

Housing Ø	Housing	Accuracy class	Range	Type	Part no.
160 mm	Stainless steel 304	1,6	0/0.6 bar	PF160FLO D402	88930402
160 mm	Stainless steel 304	1,6	0/1 bar	PF160FLO D402	88931402
160 mm	Stainless steel 304	1,6	0/1.6 bar	PF160FLO D402	88932402
160 mm	Stainless steel 304	1,6	0/2.5 bar	PF160FLO D402	88933402



Blue part no. = in-stock items



Housing $\varnothing$	Housing	Accuracy class	Range	Type	Part no.
160 mm	Stainless steel 304	1,6	0/4 bar	PF160FLO D402	88934402
160 mm	Stainless steel 304	1,6	0/6 bar	PF160FLO D402	88935402
160 mm	Stainless steel 304	1,6	0/10 bar	PF160FLO D402	88936402
160 mm	Stainless steel 304	1,6	0/16 bar	PF160FLO D402	88937402
160 mm	Stainless steel 304	1,6	0/25 bar	PF160FLO D402	88938402
160 mm	Stainless steel 304	–	0/100 mbar	PF160FLO D402	88926402
160 mm	Stainless steel 304	–	0/160 mbar	PF160FLO D402	88927402
160 mm	Stainless steel 304	–	0/250 mbar	PF160FLO D402	88928402
160 mm	Stainless steel 304	–	0/400 mbar	PF160FLO D402	88929402

Blue part no. = in-stock items