



Bourdon tube safety pressure gauges Type D8 with glycerine filling



Benefits

- Safety housing S3 as per EN 837-1/9.7.2
- Measuring system fully welded to housing
- Tightness-tested with helium
- DNV- and GOSSTANDART-certified
- ATEX version (optional)

Application

For corrosive gaseous and liquid media which are not highly viscous and do not crystallise; suitable for corrosive environments. This gauge is designed for applications as per EN 837-1/9.7.2.

Technical specifications

Type
D8

Nominal size
63 – 100 – 160

Accuracy class
EN 837-1/6

NG 63, ≤ 400 bar:	1,6
NG 63:	2,5
NG 100:	1,0
NG 160:	1,0

Ranges (EN 837-1/5)
See ordering table

Application area
NG 100, NG 160

Static load

≤ 600 bar:	Full scale value
> 600 bar:	¾ x full scale value

Dynamic load

≤ 600 bar:	0.9 x full scale value
> 600 bar:	¾ x full scale value

Short-term

≤ 600 bar:	1.3 x full scale value
> 600 bar:	Full scale value

Operating temperature range

Medium:	Max. 100 °C
Ambient:	-20/+60 °C

Degree of protection

IP 54 (EN 60529)



Standard version

Connection

Stainless steel 316 L, bottom

Measuring element

Bourdon tube, Stainless steel 316 L

Tightness-tested with helium

Movement

Stainless steel

Dial

Aluminium, white

Scaling black

Pointer

Aluminium, black

Housing

Stainless steel 304

Bayonet type bezel

Stainless steel 304

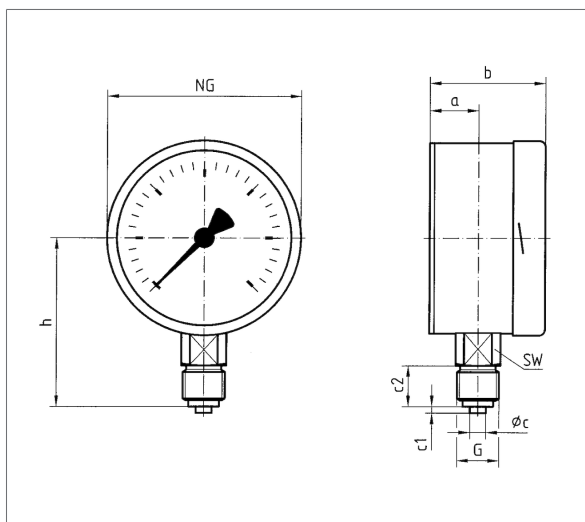
Window

Laminated safety glass

Filling liquid

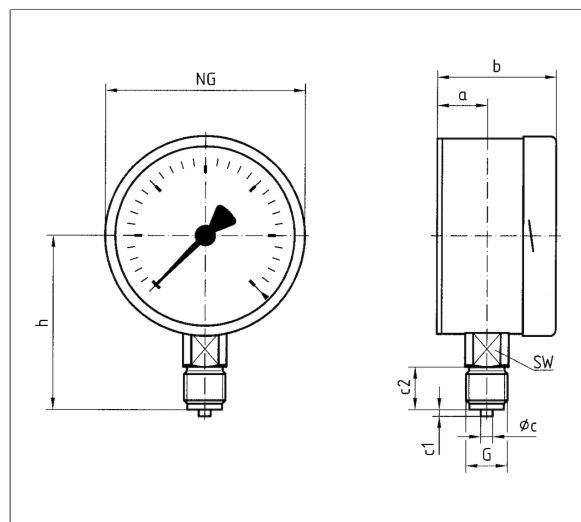
Glycerine (99.5 %)

Technical drawings



Dimensions (mm)

NG	a	b	∅c	c1	c2	G	h	SW
63	18	41	5	2	13	G $\frac{1}{4}$ B	53	14



Dimensions (mm)

NG	a	b	∅c	c1	c2	G	h	SW
100	27	60	6	3	20	G $\frac{1}{2}$ B	86	22
160	40	78	6	3	20	G $\frac{1}{2}$ B	118	22

Versions

RF63SiGly D802

	Housing ∅	Connection	Alignment	Housing	Accuracy class	Range	Type	Part no.
	63 mm	G $\frac{1}{4}$ B	Bottom	Stainless steel 304	1,6	-1/0 bar	RF63SiGly D802	85401802
	63 mm	G $\frac{1}{4}$ B	Bottom	Stainless steel 304	1,6	-1/+0.6 bar	RF63SiGly D802	85402802
	63 mm	G $\frac{1}{4}$ B	Bottom	Stainless steel 304	1,6	-1/+1.5 bar	RF63SiGly D802	85403802
	63 mm	G $\frac{1}{4}$ B	Bottom	Stainless steel 304	1,6	-1/+3 bar	RF63SiGly D802	85404802

Blue part no. = in-stock items

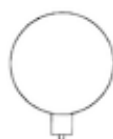


Housing Ø	Connection	Alignment	Housing	Accuracy class	Range	Type	Part no.
63 mm	G¼B	Bottom	Stainless steel 304	1,6	-1/+5 bar	RF63SiGly D802	85405802
63 mm	G¼B	Bottom	Stainless steel 304	1,6	-1/+9 bar	RF63SiGly D802	85406802
63 mm	G¼B	Bottom	Stainless steel 304	1,6	-1/+15 bar	RF63SiGly D802	85407802
63 mm	G¼B	Bottom	Stainless steel 304	1,6	0/0.6 bar	RF63SiGly D802	85409802
63 mm	G¼B	Bottom	Stainless steel 304	1,6	0/1 bar	RF63SiGly D802	85410802
63 mm	G¼B	Bottom	Stainless steel 304	1,6	0/1.6 bar	RF63SiGly D802	85411802
63 mm	G¼B	Bottom	Stainless steel 304	1,6	0/2.5 bar	RF63SiGly D802	85412802
63 mm	G¼B	Bottom	Stainless steel 304	1,6	0/4 bar	RF63SiGly D802	85413802
63 mm	G¼B	Bottom	Stainless steel 304	1,6	0/6 bar	RF63SiGly D802	85414802
63 mm	G¼B	Bottom	Stainless steel 304	1,6	0/10 bar	RF63SiGly D802	85415802
63 mm	G¼B	Bottom	Stainless steel 304	1,6	0/16 bar	RF63SiGly D802	85416802
63 mm	G¼B	Bottom	Stainless steel 304	1,6	0/25 bar	RF63SiGly D802	85417802
63 mm	G¼B	Bottom	Stainless steel 304	1,6	0/40 bar	RF63SiGly D802	85418802
63 mm	G¼B	Bottom	Stainless steel 304	1,6	0/60 bar	RF63SiGly D802	85419802
63 mm	G¼B	Bottom	Stainless steel 304	1,6	0/100 bar	RF63SiGly D802	85420802
63 mm	G¼B	Bottom	Stainless steel 304	1,6	0/160 bar	RF63SiGly D802	85421802
63 mm	G¼B	Bottom	Stainless steel 304	1,6	0/250 bar	RF63SiGly D802	85422802
63 mm	G¼B	Bottom	Stainless steel 304	1,6	0/400 bar	RF63SiGly D802	85423802
63 mm	G¼B	Bottom	Stainless steel 304	2,5	0/600 bar	RF63SiGly D802	85424802
63 mm	G¼B	Bottom	Stainless steel 304	2,5	0/1,000 bar	RF63SiGly D802	85425802

Blue part no. = in-stock items

RF100SiGly D802

Housing Ø	Connection	Alignment	Housing	Accuracy class	Range	Type	Part no.
100 mm	G½B	Bottom	Stainless steel 304	1,0	-1/0 bar	RF100SiGly D802	85451802
100 mm	G½B	Bottom	Stainless steel 304	1,0	-1/+0.6 bar	RF100SiGly D802	85452802
100 mm	G½B	Bottom	Stainless steel 304	1,0	-1/+1.5 bar	RF100SiGly D802	85453802
100 mm	G½B	Bottom	Stainless steel 304	1,0	-1/+3 bar	RF100SiGly D802	85454802
100 mm	G½B	Bottom	Stainless steel 304	1,0	-1/+5 bar	RF100SiGly D802	85455802
100 mm	G½B	Bottom	Stainless steel 304	1,0	-1/+9 bar	RF100SiGly D802	85456802



Blue part no. = in-stock items



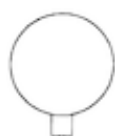
Housing Ø	Connection	Alignment	Housing	Accuracy class	Range	Type	Part no.
100 mm	G½B	Bottom	Stainless steel 304	1,0	-1/+15 bar	RF100SiGly D802	85457802
100 mm	G½B	Bottom	Stainless steel 304	1,0	0/0.6 bar	RF100SiGly D802	85459802
100 mm	G½B	Bottom	Stainless steel 304	1,0	0/1 bar	RF100SiGly D802	85460802
100 mm	G½B	Bottom	Stainless steel 304	1,0	0/1.6 bar	RF100SiGly D802	85461802
100 mm	G½B	Bottom	Stainless steel 304	1,0	0/2.5 bar	RF100SiGly D802	85462802
100 mm	G½B	Bottom	Stainless steel 304	1,0	0/4 bar	RF100SiGly D802	85463802
100 mm	G½B	Bottom	Stainless steel 304	1,0	0/6 bar	RF100SiGly D802	85464802
100 mm	G½B	Bottom	Stainless steel 304	1,0	0/10 bar	RF100SiGly D802	85465802
100 mm	G½B	Bottom	Stainless steel 304	1,0	0/16 bar	RF100SiGly D802	85466802
100 mm	G½B	Bottom	Stainless steel 304	1,0	0/25 bar	RF100SiGly D802	85467802
100 mm	G½B	Bottom	Stainless steel 304	1,0	0/40 bar	RF100SiGly D802	85468802
100 mm	G½B	Bottom	Stainless steel 304	1,0	0/60 bar	RF100SiGly D802	85469802
100 mm	G½B	Bottom	Stainless steel 304	1,0	0/100 bar	RF100SiGly D802	85470802
100 mm	G½B	Bottom	Stainless steel 304	1,0	0/160 bar	RF100SiGly D802	85471802
100 mm	G½B	Bottom	Stainless steel 304	1,0	0/250 bar	RF100SiGly D802	85472802
100 mm	G½B	Bottom	Stainless steel 304	1,0	0/400 bar	RF100SiGly D802	85473802
100 mm	G½B	Bottom	Stainless steel 304	1,0	0/600 bar	RF100SiGly D802	85474802
100 mm	G½B	Bottom	Stainless steel 304	1,0	0/1,000 bar	RF100SiGly D802	85475802

Blue part no. = in-stock items

RF160SiGly D802

Housing Ø	Connection	Alignment	Housing	Accuracy class	Range	Type	Part no.
160 mm	G½B	Bottom	Stainless steel 304	1,0	-1/0 bar	RF160SiGly D802	85501802
160 mm	G½B	Bottom	Stainless steel 304	1,0	-1/+0.6 bar	RF160SiGly D802	85502802
160 mm	G½B	Bottom	Stainless steel 304	1,0	-1/+1.5 bar	RF160SiGly D802	85503802
160 mm	G½B	Bottom	Stainless steel 304	1,0	-1/+3 bar	RF160SiGly D802	85504802
160 mm	G½B	Bottom	Stainless steel 304	1,0	-1/+5 bar	RF160SiGly D802	85505802
160 mm	G½B	Bottom	Stainless steel 304	1,0	-1/+9 bar	RF160SiGly D802	85506802
160 mm	G½B	Bottom	Stainless steel 304	1,0	-1/+15 bar	RF160SiGly D802	85507802
160 mm	G½B	Bottom	Stainless steel 304	1,0	0/0.6 bar	RF160SiGly D802	85509802

Blue part no. = in-stock items





Housing Ø	Connection	Alignment	Housing	Accuracy class	Range	Type	Part no.
160 mm	G½B	Bottom	Stainless steel 304	1,0	0/1 bar	RF160SiGly D802	85510802
160 mm	G½B	Bottom	Stainless steel 304	1,0	0/1.6 bar	RF160SiGly D802	85511802
160 mm	G½B	Bottom	Stainless steel 304	1,0	0/2.5 bar	RF160SiGly D802	85512802
160 mm	G½B	Bottom	Stainless steel 304	1,0	0/4 bar	RF160SiGly D802	85513802
160 mm	G½B	Bottom	Stainless steel 304	1,0	0/6 bar	RF160SiGly D802	85514802
160 mm	G½B	Bottom	Stainless steel 304	1,0	0/10 bar	RF160SiGly D802	85515802
160 mm	G½B	Bottom	Stainless steel 304	1,0	0/16 bar	RF160SiGly D802	85516802
160 mm	G½B	Bottom	Stainless steel 304	1,0	0/25 bar	RF160SiGly D802	85517802
160 mm	G½B	Bottom	Stainless steel 304	1,0	0/40 bar	RF160SiGly D802	85518802
160 mm	G½B	Bottom	Stainless steel 304	1,0	0/60 bar	RF160SiGly D802	85519802
160 mm	G½B	Bottom	Stainless steel 304	1,0	0/100 bar	RF160SiGly D802	85520802
160 mm	G½B	Bottom	Stainless steel 304	1,0	0/160 bar	RF160SiGly D802	85521802
160 mm	G½B	Bottom	Stainless steel 304	1,0	0/250 bar	RF160SiGly D802	85522802
160 mm	G½B	Bottom	Stainless steel 304	1,0	0/400 bar	RF160SiGly D802	85523802
160 mm	G½B	Bottom	Stainless steel 304	1,0	0/600 bar	RF160SiGly D802	85524802
160 mm	G½B	Bottom	Stainless steel 304	1,0	0/1,000 bar	RF160SiGly D802	85525802

Blue part no. = in-stock items