



## Pressure transducers DeltaFox DMU 11 D Version for differential pressure measurement



### Benefits

- Compact design
- High overload safety
- Mechanically robust and reliable, suitable for applications involving dynamic pressure changes as well as shock and vibration

### Application

For electronic differential pressure measurement in industrial applications. For corrosive gaseous and liquid media which are not highly viscous and do not crystallise.

### Technical specifications

#### Measuring range

See ordering table

#### Operating temperature range

Medium: -25/+125 °C

Ambient: -25/+85 °C

Storage: -40/+100 °C

#### Dynamic characteristics

Response time: < 5 ms

#### Process connection

2 x G½B EN 837-1/7.3

#### Material

Housing: Aluminium, eloxed, black

Pressure connection: Stainless steel 316 L

Diaphragm: Stainless steel 316 L

Seal: FKM (Viton)

#### Supply voltage

DC 12 – 36 V

#### Output signal

2-wire, 4–20 mA

### Options

- Other process connections
- Other electrical connections

#### Load

$R_{Max} = [(UB - UB_{Min})/0.02 A] \Omega$

#### Current input

< 25 mA

#### Electrical protection

Short circuit proof and protected against reverse polarity

#### Electrical connection

Connector and junction box as per ISO 4400 (DIN 43650-A)

#### Degree of protection

IP 65 (EN 60529)

#### CE conformity

EMC Directive 2014/30/EU

RoHS Directive 2011/65/EU

Pressure Equipment Directive 2014/68/EU

#### Scope of delivery

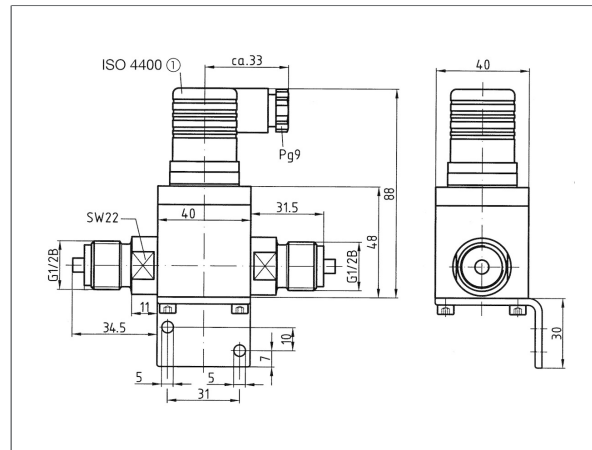
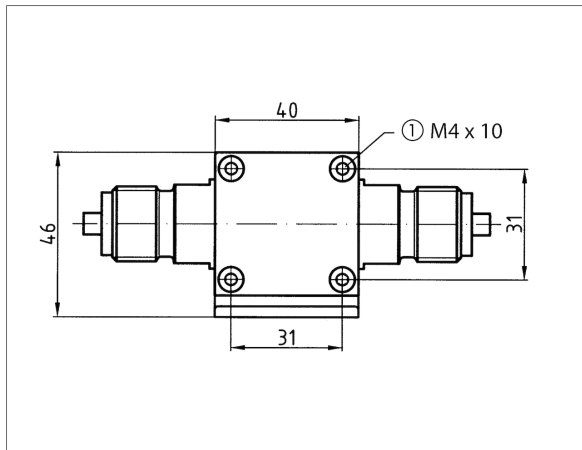
- Pressure measuring instrument
- Mounting bracket



### Detail views



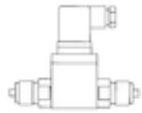
### Technical drawings





## Versions

Type	Connection	Measuring range	Part no.
DeltaFox DMU 11 D	2 x G $\frac{1}{2}$ B EN 837-1/7.3	0/40 mbar	31830
DeltaFox DMU 11 D	2 x G $\frac{1}{2}$ B EN 837-1/7.3	0/60 mbar	31831
DeltaFox DMU 11 D	2 x G $\frac{1}{2}$ B EN 837-1/7.3	0/100 mbar	31813
DeltaFox DMU 11 D	2 x G $\frac{1}{2}$ B EN 837-1/7.3	0/160 mbar	31814
DeltaFox DMU 11 D	2 x G $\frac{1}{2}$ B EN 837-1/7.3	0/250 mbar	31815
DeltaFox DMU 11 D	2 x G $\frac{1}{2}$ B EN 837-1/7.3	0/400 mbar	31832
DeltaFox DMU 11 D	2 x G $\frac{1}{2}$ B EN 837-1/7.3	0/600 mbar	31833
DeltaFox DMU 11 D	2 x G $\frac{1}{2}$ B EN 837-1/7.3	0/1 bar	31816
DeltaFox DMU 11 D	2 x G $\frac{1}{2}$ B EN 837-1/7.3	0/1.6 bar	31834
DeltaFox DMU 11 D	2 x G $\frac{1}{2}$ B EN 837-1/7.3	0/2.5 bar	31817
DeltaFox DMU 11 D	2 x G $\frac{1}{2}$ B EN 837-1/7.3	0/4 bar	31835
DeltaFox DMU 11 D	2 x G $\frac{1}{2}$ B EN 837-1/7.3	0/6 bar	31818
DeltaFox DMU 11 D	2 x G $\frac{1}{2}$ B EN 837-1/7.3	0/10 bar	31836
DeltaFox DMU 11 D	2 x G $\frac{1}{2}$ B EN 837-1/7.3	0/16 bar	31837



Blue part no. = in-stock items