



Resistance thermometers WTh 23



Benefits

- For heating, ventilation and air conditioning technology
- Screw-in resistance thermometer with PT 100 sensor
- Wetted parts 316 Ti

Application

Compact screw-in resistance thermometer specially for heating, ventilation and air conditioning applications

Technical specifications

Sensor

1 x Pt100
3-wire
Class B, IEC 751

Measuring insert

Not replaceable

Thermowell

Ø 6 mm, Stainless steel 316 Ti

Process connection

G $\frac{1}{4}$ B
Stainless steel 316 Ti

Installation length

100, 160, 250, 400 mm

Connection head

Shape J
Aluminium die cast

Electrical connection

Cable gland

Degree of protection

IP 54 (EN 60529)

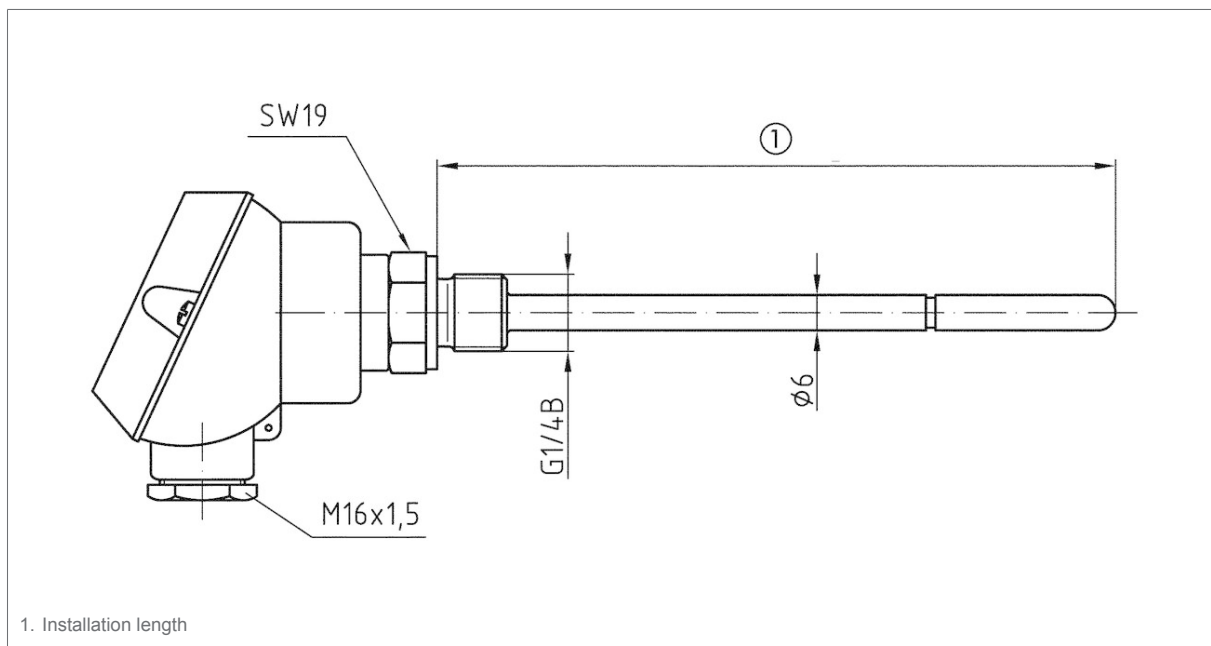
Measuring range

-35/+180 °C

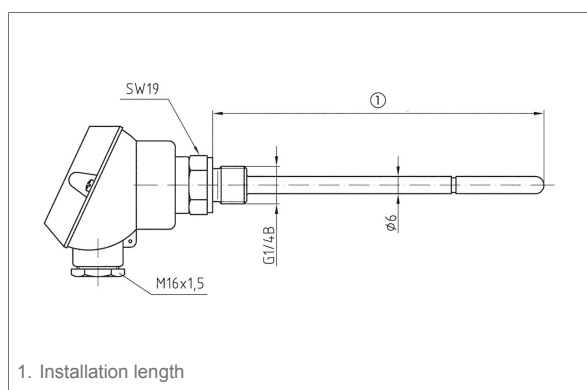
Options

- Sensor class A
- Sensor Pt1000
- Transmitter installation
- Other thermowell diameters
- Thermowell with bend, measuring tip with spring
- Neck
- Other process connections
- Other installation lengths

Detail views



Technical drawings



Versions

	Installation length	Part no.
Resistance thermometers WTh 23	100 mm	32225
Resistance thermometers WTh 23	160 mm	32226
Resistance thermometers WTh 23	250 mm	32227
Resistance thermometers WTh 23	400 mm	32228



Blue part no. = in-stock items