

Surface mounting thermostats with housing GAT



Benefits

- Mechanical temperature controller
- Ideal for underfloor heating systems
- Temperature limitation at pipes
- Easy installation with strap

Application

Surface mounting thermostat for strap mounting at pipes from 16 to 100 mm diameter. The version with internal adjustment and temperature control range up to 60 °C is specially suited for underfloor heating systems.

Description

The surface mounting thermostat uses a bimetal strip (element consisting of two metal strips with different heat expansion coefficients). When the temperature changes, the bimetal strip bends which triggers electrical switching.

Technical specifications

Type

GAT

Operating range

See ordering table

Tolerance

+2 K/-8 K

Switching differential

$\Delta T 8 \pm 3 K$

Setting

GAT/7HC: Internal

GAT/7RC: External

Probe element

Bimetal

Operating temperature range

Housing: Max. 85 °C

Housing

Upper part: Plastic (PVC), grey (RAL 7035)

Base plate: Steel, galvanised

Cable entry

Plastic (PVC), black

M20 x 1.5

Degree of protection

IP 20 (EN 60529)

Electrical switching contact

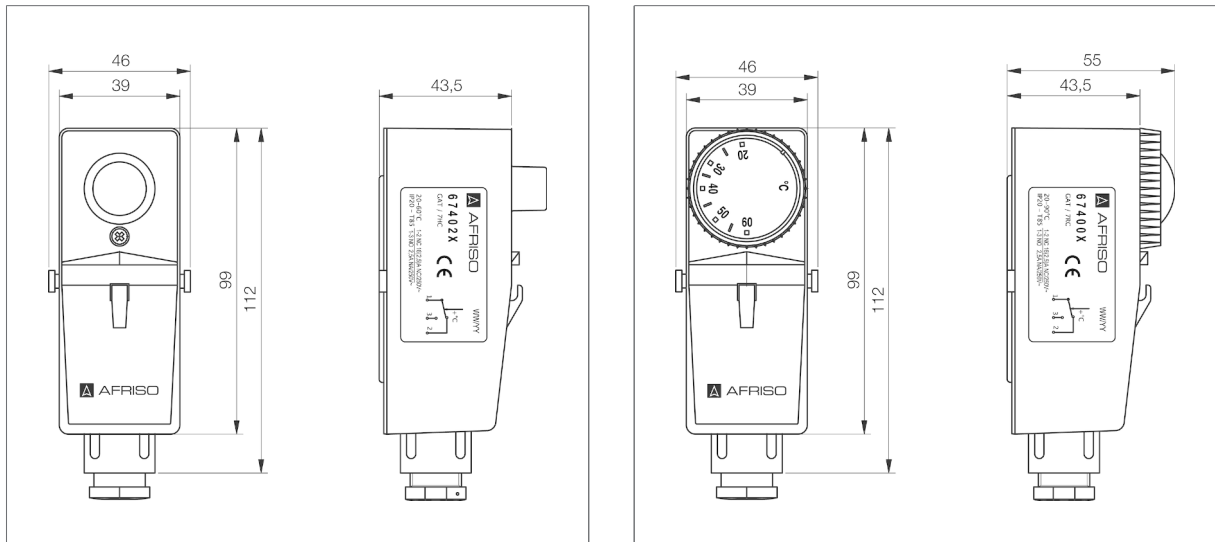
Changeover contact

Contact rating

NC: AC 250 V, 16 (2.5) A

NO: AC 250 V, 2.5 A

Technical drawings



Versions

	Adjustment	Operating range	Part no.
Surface mounting thermostat with housing GAT/7HC	Internal	20/60 °C	67402X
Surface mounting thermostat with housing GAT/7HC	Internal	20/90 °C	67403X
Surface mounting thermostat with housing GAT/7RC	External	20/60 °C	67400X
Surface mounting thermostat with housing GAT/7RC	External	20/90 °C	67401X

Blue part no. = in-stock items