



## Spring-diaphragm pressure gauges for chemical applications for differential pressure - overload protected



### Benefits

- Direct indication of the differential pressure
- High overload protection
- Compact design
- High resistance to chemicals
- Electrical contacts optional

### Application

For differential pressure measurement at low differential pressure and high static pressure. For corrosive gaseous and liquid media which are not highly viscous, also for use in corrosive environments. Particularly suitable for monitoring filters, pumps and pipe systems.

### Technical specifications

#### Type

MF ChDif D402  
MFW ChDif D402

#### Nominal size

100

#### Accuracy class (EN 837-3/6)

2,5

#### Ranges (EN 837-3/5)

See ordering table  
25 bar

#### Overpressure safety

Up to the maximum static pressure at both ends

#### Operating temperature range

Medium: Max. 60 °C  
Ambient: -20/+60 °C

#### Temperature performance

Indication error when the temperature of the measuring system deviates from the normal temperature of 20 °C:  
of full scale value

#### Degree of protection

IP 54 (EN 60529)



## Standard version

### Connection

Stainless steel 316

Ti/316 L

MF ChDif: Bottom, parallel, one behind the other

MFW ChDif: Bottom, parallel next to each other

### Measuring element

Compression spring, Stainless steel 301

### Diaphragm

FKM (Viton)

### Measuring flange

Stainless steel 316 Ti/316 L

### Movement

Stainless steel

### Dial

Aluminium, white

Scaling black

### Pointer

Aluminium, black

### Housing

Stainless steel 304

### Bayonet type bezel

Stainless steel 304

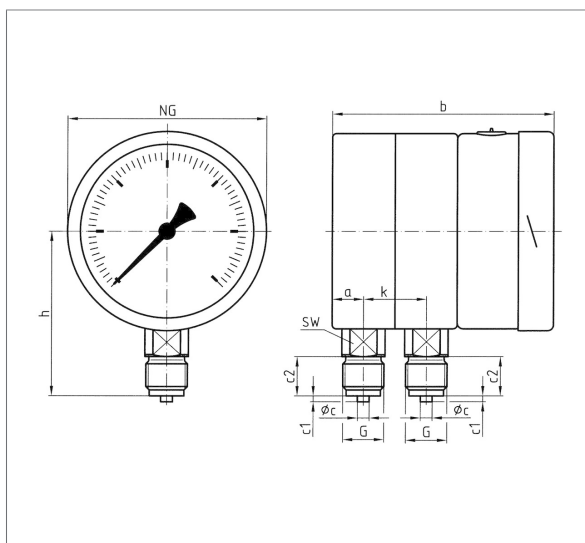
### Window

Laminated safety glass

## Options

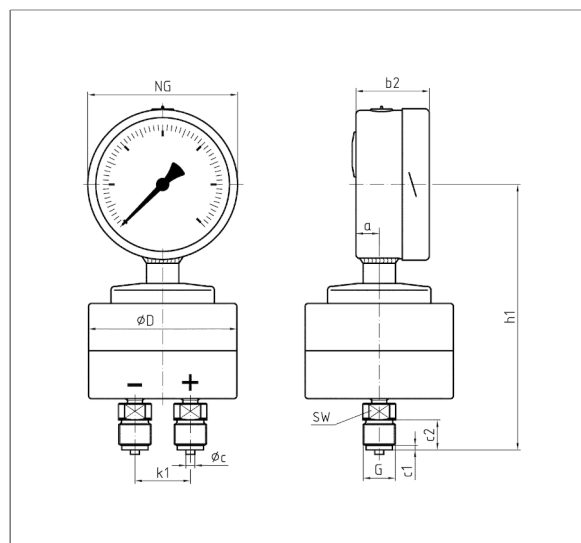
- Special scales
- Other process connections

## Technical drawings



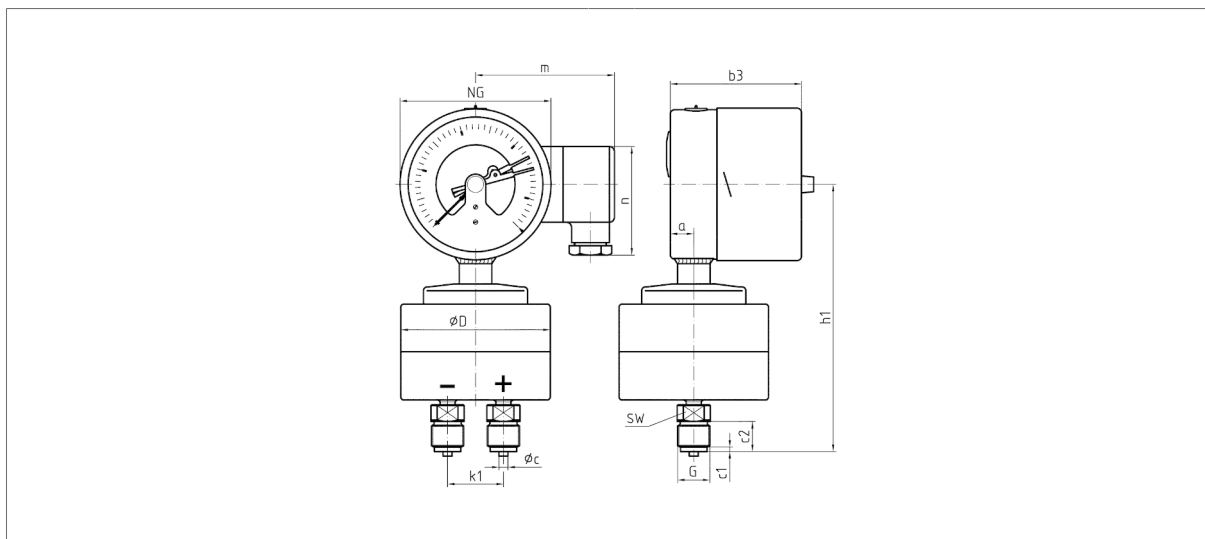
Dimensions (mm)

NG	a	b	Øc	c1	c2	G	h	k	SW
100	16	84	6	3	20	G½B	86	32	22



Dimensions (mm)

NG	a	b2	Øc	c1	c2	ØD	G	h1	k1	SW
100	16	49	6	3	20	99	G½B	177	37	22



### Dimensions (mm)

NG	a	b3	∅c	c1	c2	∅D	G	h1	k1	m	n	SW
100	16	87	6	3	20	99	G½B	177	37	92	72	22

### Versions

#### MF100ChDif D402

Housing ∅	Housing	Accuracy class	Connection	Range	Type	Part no.
100 mm	Stainless steel 304	2,5	2 x G½B	0/250 mbar	MF100ChDif D402	88086402
100 mm	Stainless steel 304	2,5	2 x G½B	0/400 mbar	MF100ChDif D402	88087402
100 mm	Stainless steel 304	2,5	2 x G½B	0/600 mbar	MF100ChDif D402	88088402
100 mm	Stainless steel 304	2,5	2 x G½B	0/1 bar	MF100ChDif D402	88089402
100 mm	Stainless steel 304	2,5	2 x G½B	0/1.6 bar	MF100ChDif D402	88090402
100 mm	Stainless steel 304	2,5	2 x G½B	0/2.5 bar	MF100ChDif D402	88091402
100 mm	Stainless steel 304	2,5	2 x G½B	0/4 bar	MF100ChDif D402	88092402
100 mm	Stainless steel 304	2,5	2 x G½B	0/6 bar	MF100ChDif D402	88093402



Blue part no. = in-stock items

#### MFW100ChDif D402

Housing ∅	Housing	Accuracy class	Connection	Range	Type	Part no.
100 mm	Stainless steel 304	2,5	2 x G½B	0/250 mbar	MFW100ChDif D402	88106402
100 mm	Stainless steel 304	2,5	2 x G½B	0/400 mbar	MFW100ChDif D402	88107402
100 mm	Stainless steel 304	2,5	2 x G½B	0/600 mbar	MFW100ChDif D402	88108402
100 mm	Stainless steel 304	2,5	2 x G½B	0/1 bar	MFW100ChDif D402	88109402



Blue part no. = in-stock items



Housing Ø	Housing	Accuracy class	Connection	Range	Type	Part no.
100 mm	Stainless steel 304	2,5	2 x G½B	0/1.6 bar	MFW100ChDif D402	88110402
100 mm	Stainless steel 304	2,5	2 x G½B	0/2.5 bar	MFW100ChDif D402	88111402
100 mm	Stainless steel 304	2,5	2 x G½B	0/4 bar	MFW100ChDif D402	88112402
100 mm	Stainless steel 304	2,5	2 x G½B	0/6 bar	MFW100ChDif D402	88113402
100 mm	Stainless steel 304	2,5	2 x G½B	0/10 bar	MFW100ChDif D402	88114402
100 mm	Stainless steel 304	2,5	2 x G½B	0/16 bar	MFW100ChDif D402	88115402
100 mm	Stainless steel 304	2,5	2 x G½B	0/25 bar	MFW100ChDif D402	88116402

Blue part no. = in-stock items

MFW100ChDif IK1 D402

Housing Ø	Housing	Accuracy class	Connection	Range	Type	Part no.
100 mm	Stainless steel 304	2,5	2 x G½B	0/250 mbar	MFW100ChDif IK1 D402	88146402
100 mm	Stainless steel 304	2,5	2 x G½B	0/400 mbar	MFW100ChDif IK1 D402	88147402
100 mm	Stainless steel 304	2,5	2 x G½B	0/600 mbar	MFW100ChDif IK1 D402	88148402
100 mm	Stainless steel 304	2,5	2 x G½B	0/1 bar	MFW100ChDif IK1 D402	88149402
100 mm	Stainless steel 304	2,5	2 x G½B	0/1.6 bar	MFW100ChDif IK1 D402	88150402
100 mm	Stainless steel 304	2,5	2 x G½B	0/2.5 bar	MFW100ChDif IK1 D402	88151402
100 mm	Stainless steel 304	2,5	2 x G½B	0/4 bar	MFW100ChDif IK1 D402	88152402
100 mm	Stainless steel 304	2,5	2 x G½B	0/6 bar	MFW100ChDif IK1 D402	88153402
100 mm	Stainless steel 304	2,5	2 x G½B	0/10 bar	MFW100ChDif IK1 D402	88154402
100 mm	Stainless steel 304	2,5	2 x G½B	0/16 bar	MFW100ChDif IK1 D402	88155402
100 mm	Stainless steel 304	2,5	2 x G½B	0/25 bar	MFW100ChDif IK1 D402	88156402



Blue part no. = in-stock items

MFW100ChDif MK1 D402

Housing Ø	Housing	Accuracy class	Connection	Range	Type	Part no.
100 mm	Stainless steel 304	2,5	2 x G½B	0/250 mbar	MFW100ChDif MK1 D402	88126402
100 mm	Stainless steel 304	2,5	2 x G½B	0/400 mbar	MFW100ChDif MK1 D402	88127402
100 mm	Stainless steel 304	2,5	2 x G½B	0/600 mbar	MFW100ChDif MK1 D402	88128402
100 mm	Stainless steel 304	2,5	2 x G½B	0/1 bar	MFW100ChDif MK1 D402	88129402
100 mm	Stainless steel 304	2,5	2 x G½B	0/1.6 bar	MFW100ChDif MK1 D402	88130402



Blue part no. = in-stock items



Housing Ø	Housing	Accuracy class	Connection	Range	Type	Part no.
100 mm	Stainless steel 304	2,5	2 x G½B	0/2.5 bar	MFW100ChDif MK1 D402	88131402
100 mm	Stainless steel 304	2,5	2 x G½B	0/4 bar	MFW100ChDif MK1 D402	88132402
100 mm	Stainless steel 304	2,5	2 x G½B	0/6 bar	MFW100ChDif MK1 D402	88133402
100 mm	Stainless steel 304	2,5	2 x G½B	0/10 bar	MFW100ChDif MK1 D402	88134402
100 mm	Stainless steel 304	2,5	2 x G½B	0/16 bar	MFW100ChDif MK1 D402	88135402
100 mm	Stainless steel 304	2,5	2 x G½B	0/25 bar	MFW100ChDif MK1 D402	88136402

Blue part no. = in-stock items