



Bourdon tube safety pressure gauges Type D4



Benefits

- Safety housing S3 as per EN 837-1/9.7.2
- Measuring system fully welded to housing
- Tightness-tested with helium
- DNV- and GOSSTANDART-certified
- ATEX version (optional)

Application

For corrosive gaseous and liquid media which are not highly viscous and do not crystallise; suitable for corrosive environments. This gauge is designed for applications as per EN 837-1/9.7.2.

Technical specifications

Type

D4

Nominal size

63 – 100 – 160

Accuracy class

EN 837-1/6

NG 63, ≤ 400 bar:	1,6
NG 63:	2,5
NG 100:	1,0
NG 160:	1,0

Ranges (EN 837-1/5)

See ordering table

Application area

NG 100, NG 160

Static load

≤ 600 bar:	Full scale value
> 600 bar:	¾ x full scale value

Dynamic load

≤ 600 bar:	0.9 x full scale value
> 600 bar:	¾ x full scale value

Short-term

≤ 600 bar:	1.3 x full scale value
> 600 bar:	Full scale value

Operating temperature range

Medium:	Max. 100 °C
Ambient:	-20/+60 °C

Degree of protection

IP 54 (EN 60529)



Standard version

Connection

Stainless steel 316 L, bottom or bottom back

Measuring element

Bourdon tube

Stainless steel 316

Ti/316 L

≤ 60 bar: "C" type tube

> 60 bar: Helical tube

Tightness-tested with

helium

Movement

Stainless steel

Dial

Aluminium, white

Scaling black

Pointer

Aluminium, black

Housing

Stainless steel 304

Bayonet type bezel

Stainless steel 304

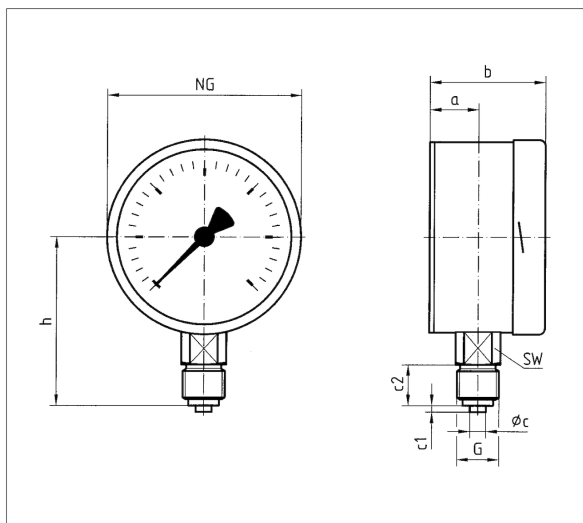
Window

Laminated safety glass

Options

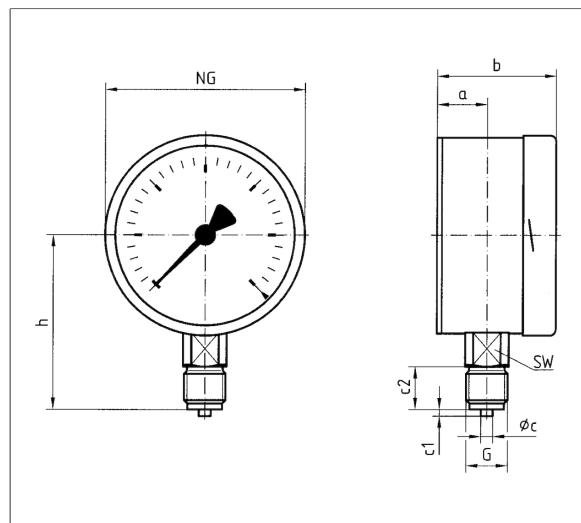
- Glycerine filling (bottom version type D8)
- 3-hole fixing, panel mounting bezel
- Special scales
- Other process connections

Technical drawings



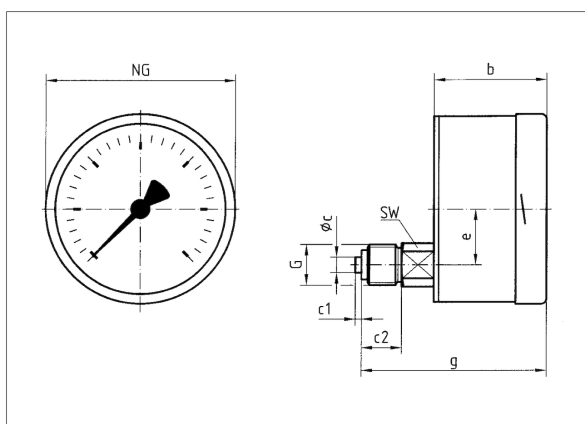
Dimensions (mm)

NG	a	b	øc	c1	c2	G	h	SW
63	18	41	5	2	13	G½B	53	14



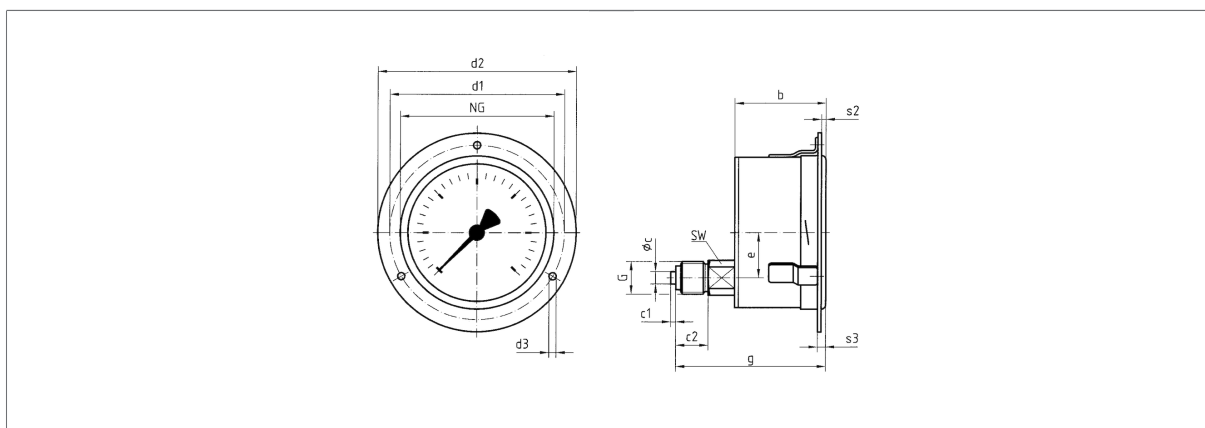
Dimensions (mm)

NG	a	b	øc	c1	c2	G	h	SW
100	27	60	6	3	20	G½B	86	22
160	40	78	6	3	20	G½B	118	22



Dimensions (mm)

NG	b	øc	c1	c2	e	G	g	SW
63	41	5	2	13	18	G¼B	60	14



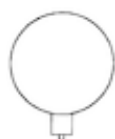
Dimensions (mm)

NG	b	øc	c1	c2	d1	d2	d3	e	G	g	s2	s3	SW
63	41	5	2	13	75	85	3,6	18	G¼B	60	3	5	14

Versions

RF63Si D402

Housing ø	Connection	Alignment	Housing	Accuracy class	Range	Type	Part no.
63 mm	G¼B	Bottom	Stainless steel 304	1,6	-1/0 bar	RF63Si D402	85401402
63 mm	G¼B	Bottom	Stainless steel 304	1,6	-1/+0.6 bar	RF63Si D402	85402402
63 mm	G¼B	Bottom	Stainless steel 304	1,6	-1/+1.5 bar	RF63Si D402	85403402
63 mm	G¼B	Bottom	Stainless steel 304	1,6	-1/+3 bar	RF63Si D402	85404402
63 mm	G¼B	Bottom	Stainless steel 304	1,6	-1/+5 bar	RF63Si D402	85405402
63 mm	G¼B	Bottom	Stainless steel 304	1,6	-1/+9 bar	RF63Si D402	85406402



Blue part no. = in-stock items

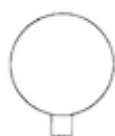


Housing \varnothing	Connection	Alignment	Housing	Accuracy class	Range	Type	Part no.
63 mm	G $\frac{1}{4}$ B	Bottom	Stainless steel 304	1,6	-1/+15 bar	RF63Si D402	85407402
63 mm	G $\frac{1}{4}$ B	Bottom	Stainless steel 304	1,6	0/0.6 bar	RF63Si D402	85409402
63 mm	G $\frac{1}{4}$ B	Bottom	Stainless steel 304	1,6	0/1 bar	RF63Si D402	85410402
63 mm	G $\frac{1}{4}$ B	Bottom	Stainless steel 304	1,6	0/1.6 bar	RF63Si D402	85411402
63 mm	G $\frac{1}{4}$ B	Bottom	Stainless steel 304	1,6	0/2.5 bar	RF63Si D402	85412402
63 mm	G $\frac{1}{4}$ B	Bottom	Stainless steel 304	1,6	0/4 bar	RF63Si D402	85413402
63 mm	G $\frac{1}{4}$ B	Bottom	Stainless steel 304	1,6	0/6 bar	RF63Si D402	85414402
63 mm	G $\frac{1}{4}$ B	Bottom	Stainless steel 304	1,6	0/10 bar	RF63Si D402	85415402
63 mm	G $\frac{1}{4}$ B	Bottom	Stainless steel 304	1,6	0/16 bar	RF63Si D402	85416402
63 mm	G $\frac{1}{4}$ B	Bottom	Stainless steel 304	1,6	0/25 bar	RF63Si D402	85417402
63 mm	G $\frac{1}{4}$ B	Bottom	Stainless steel 304	1,6	0/40 bar	RF63Si D402	85418402
63 mm	G $\frac{1}{4}$ B	Bottom	Stainless steel 304	1,6	0/60 bar	RF63Si D402	85419402
63 mm	G $\frac{1}{4}$ B	Bottom	Stainless steel 304	1,6	0/100 bar	RF63Si D402	85420402
63 mm	G $\frac{1}{4}$ B	Bottom	Stainless steel 304	1,6	0/160 bar	RF63Si D402	85421402
63 mm	G $\frac{1}{4}$ B	Bottom	Stainless steel 304	1,6	0/250 bar	RF63Si D402	85422402
63 mm	G $\frac{1}{4}$ B	Bottom	Stainless steel 304	1,6	0/400 bar	RF63Si D402	85423402
63 mm	G $\frac{1}{4}$ B	Bottom	Stainless steel 304	2,5	0/600 bar	RF63Si D402	85424402
63 mm	G $\frac{1}{4}$ B	Bottom	Stainless steel 304	2,5	0/1,000 bar	RF63Si D402	85425402

Blue part no. = in-stock items

RF100Si D402

Housing \varnothing	Connection	Alignment	Housing	Accuracy class	Range	Type	Part no.
100 mm	G $\frac{1}{2}$ B	Bottom	Stainless steel 304	1,0	-1/0 bar	RF100Si D402	85451402
100 mm	G $\frac{1}{2}$ B	Bottom	Stainless steel 304	1,0	-1/+0.6 bar	RF100Si D402	85452402
100 mm	G $\frac{1}{2}$ B	Bottom	Stainless steel 304	1,0	-1/+1.5 bar	RF100Si D402	85453402
100 mm	G $\frac{1}{2}$ B	Bottom	Stainless steel 304	1,0	-1/+3 bar	RF100Si D402	85454402
100 mm	G $\frac{1}{2}$ B	Bottom	Stainless steel 304	1,0	-1/+5 bar	RF100Si D402	85455402
100 mm	G $\frac{1}{2}$ B	Bottom	Stainless steel 304	1,0	-1/+9 bar	RF100Si D402	85456402
100 mm	G $\frac{1}{2}$ B	Bottom	Stainless steel 304	1,0	-1/+15 bar	RF100Si D402	85457402
100 mm	G $\frac{1}{2}$ B	Bottom	Stainless steel 304	1,0	0/0.6 bar	RF100Si D402	85459402



Blue part no. = in-stock items



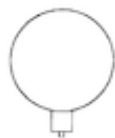
Housing Ø	Connection	Alignment	Housing	Accuracy class	Range	Type	Part no.
100 mm	G½B	Bottom	Stainless steel 304	1,0	0/1 bar	RF100Si D402	85460402
100 mm	G½B	Bottom	Stainless steel 304	1,0	0/1.6 bar	RF100Si D402	85461402
100 mm	G½B	Bottom	Stainless steel 304	1,0	0/2.5 bar	RF100Si D402	85462402
100 mm	G½B	Bottom	Stainless steel 304	1,0	0/4 bar	RF100Si D402	85463402
100 mm	G½B	Bottom	Stainless steel 304	1,0	0/6 bar	RF100Si D402	85464402
100 mm	G½B	Bottom	Stainless steel 304	1,0	0/10 bar	RF100Si D402	85465402
100 mm	G½B	Bottom	Stainless steel 304	1,0	0/16 bar	RF100Si D402	85466402
100 mm	G½B	Bottom	Stainless steel 304	1,0	0/25 bar	RF100Si D402	85467402
100 mm	G½B	Bottom	Stainless steel 304	1,0	0/40 bar	RF100Si D402	85468402
100 mm	G½B	Bottom	Stainless steel 304	1,0	0/60 bar	RF100Si D402	85469402
100 mm	G½B	Bottom	Stainless steel 304	1,0	0/100 bar	RF100Si D402	85470402
100 mm	G½B	Bottom	Stainless steel 304	1,0	0/160 bar	RF100Si D402	85471402
100 mm	G½B	Bottom	Stainless steel 304	1,0	0/250 bar	RF100Si D402	85472402
100 mm	G½B	Bottom	Stainless steel 304	1,0	0/400 bar	RF100Si D402	85473402
100 mm	G½B	Bottom	Stainless steel 304	1,0	0/600 bar	RF100Si D402	85474402
100 mm	G½B	Bottom	Stainless steel 304	1,0	0/1,000 bar	RF100Si D402	85475402

Blue part no. = in-stock items

RF160Si D402

Housing Ø	Connection	Alignment	Housing	Accuracy class	Range	Type	Part no.
160 mm	G½B	Bottom	Stainless steel 304	1,0	-1/0 bar	RF160Si D402	85501402
160 mm	G½B	Bottom	Stainless steel 304	1,0	-1/+0.6 bar	RF160Si D402	85502402
160 mm	G½B	Bottom	Stainless steel 304	1,0	-1/+1.5 bar	RF160Si D402	85503402
160 mm	G½B	Bottom	Stainless steel 304	1,0	-1/+3 bar	RF160Si D402	85504402
160 mm	G½B	Bottom	Stainless steel 304	1,0	-1/+5 bar	RF160Si D402	85505402
160 mm	G½B	Bottom	Stainless steel 304	1,0	-1/+9 bar	RF160Si D402	85506402
160 mm	G½B	Bottom	Stainless steel 304	1,0	-1/+15 bar	RF160Si D402	85507402
160 mm	G½B	Bottom	Stainless steel 304	1,0	0/0.6 bar	RF160Si D402	85509402
160 mm	G½B	Bottom	Stainless steel 304	1,0	0/1 bar	RF160Si D402	85510402
160 mm	G½B	Bottom	Stainless steel 304	1,0	0/1.6 bar	RF160Si D402	85511402

Blue part no. = in-stock items





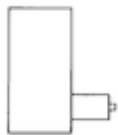
Housing Ø	Connection	Alignment	Housing	Accuracy class	Range	Type	Part no.
160 mm	G½B	Bottom	Stainless steel 304	1,0	0/2.5 bar	RF160Si D402	85512402
160 mm	G½B	Bottom	Stainless steel 304	1,0	0/4 bar	RF160Si D402	85513402
160 mm	G½B	Bottom	Stainless steel 304	1,0	0/6 bar	RF160Si D402	85514402
160 mm	G½B	Bottom	Stainless steel 304	1,0	0/10 bar	RF160Si D402	85515402
160 mm	G½B	Bottom	Stainless steel 304	1,0	0/16 bar	RF160Si D402	85516402
160 mm	G½B	Bottom	Stainless steel 304	1,0	0/25 bar	RF160Si D402	85517402
160 mm	G½B	Bottom	Stainless steel 304	1,0	0/40 bar	RF160Si D402	85518402
160 mm	G½B	Bottom	Stainless steel 304	1,0	0/60 bar	RF160Si D402	85519402
160 mm	G½B	Bottom	Stainless steel 304	1,0	0/100 bar	RF160Si D402	85520402
160 mm	G½B	Bottom	Stainless steel 304	1,0	0/160 bar	RF160Si D402	85521402
160 mm	G½B	Bottom	Stainless steel 304	1,0	0/250 bar	RF160Si D402	85522402
160 mm	G½B	Bottom	Stainless steel 304	1,0	0/400 bar	RF160Si D402	85523402
160 mm	G½B	Bottom	Stainless steel 304	1,0	0/600 bar	RF160Si D402	85524402
160 mm	G½B	Bottom	Stainless steel 304	1,0	0/1,000 bar	RF160Si D402	85525402

Blue part no. = in-stock items

RF63Si D412

Housing Ø	Connection	Alignment	Housing	Accuracy class	Range	Type	Part no.
63 mm	G¼B	Bottom back	Stainless steel 304	1,6	-1/0 bar	RF63Si D412	85401412
63 mm	G¼B	Bottom back	Stainless steel 304	1,6	-1/+0.6 bar	RF63Si D412	85402412
63 mm	G¼B	Bottom back	Stainless steel 304	1,6	-1/+1.5 bar	RF63Si D412	85403412
63 mm	G¼B	Bottom back	Stainless steel 304	1,6	-1/+3 bar	RF63Si D412	85404412
63 mm	G¼B	Bottom back	Stainless steel 304	1,6	-1/+5 bar	RF63Si D412	85405412
63 mm	G¼B	Bottom back	Stainless steel 304	1,6	-1/+9 bar	RF63Si D412	85406412
63 mm	G¼B	Bottom back	Stainless steel 304	1,6	-1/+15 bar	RF63Si D412	85407412
63 mm	G¼B	Bottom back	Stainless steel 304	1,6	0/0.6 bar	RF63Si D412	85409412
63 mm	G¼B	Bottom back	Stainless steel 304	1,6	0/1 bar	RF63Si D412	85410412
63 mm	G¼B	Bottom back	Stainless steel 304	1,6	0/1.6 bar	RF63Si D412	85411412
63 mm	G¼B	Bottom back	Stainless steel 304	1,6	0/2.5 bar	RF63Si D412	85412412
63 mm	G¼B	Bottom back	Stainless steel 304	1,6	0/4 bar	RF63Si D412	85413412

Blue part no. = in-stock items





Housing \varnothing	Connection	Alignment	Housing	Accuracy class	Range	Type	Part no.
63 mm	G $\frac{1}{4}$ B	Bottom back	Stainless steel 304	1,6	0/6 bar	RF63Si D412	85414412
63 mm	G $\frac{1}{4}$ B	Bottom back	Stainless steel 304	1,6	0/10 bar	RF63Si D412	85415412
63 mm	G $\frac{1}{4}$ B	Bottom back	Stainless steel 304	1,6	0/16 bar	RF63Si D412	85416412
63 mm	G $\frac{1}{4}$ B	Bottom back	Stainless steel 304	1,6	0/25 bar	RF63Si D412	85417412
63 mm	G $\frac{1}{4}$ B	Bottom back	Stainless steel 304	1,6	0/40 bar	RF63Si D412	85418412
63 mm	G $\frac{1}{4}$ B	Bottom back	Stainless steel 304	1,6	0/60 bar	RF63Si D412	85419412
63 mm	G $\frac{1}{4}$ B	Bottom back	Stainless steel 304	1,6	0/100 bar	RF63Si D412	85420412
63 mm	G $\frac{1}{4}$ B	Bottom back	Stainless steel 304	1,6	0/160 bar	RF63Si D412	85421412
63 mm	G $\frac{1}{4}$ B	Bottom back	Stainless steel 304	1,6	0/250 bar	RF63Si D412	85422412
63 mm	G $\frac{1}{4}$ B	Bottom back	Stainless steel 304	1,6	0/400 bar	RF63Si D412	85423412
63 mm	G $\frac{1}{4}$ B	Bottom back	Stainless steel 304	2,5	0/600 bar	RF63Si D412	85424412
63 mm	G $\frac{1}{4}$ B	Bottom back	Stainless steel 304	2,5	0/1,000 bar	RF63Si D412	85425412

Blue part no. = in-stock items

RF63Si D432

Housing \varnothing	Connection	Alignment	Housing	Accuracy class	Range	Type	Part no.
63 mm	G $\frac{1}{4}$ B	Bottom back	Stainless steel 304	1,6	-1/0 bar	RF63Si D432	85401432
63 mm	G $\frac{1}{4}$ B	Bottom back	Stainless steel 304	1,6	-1/+0.6 bar	RF63Si D432	85402432
63 mm	G $\frac{1}{4}$ B	Bottom back	Stainless steel 304	1,6	-1/+1.5 bar	RF63Si D432	85403432
63 mm	G $\frac{1}{4}$ B	Bottom back	Stainless steel 304	1,6	-1/+3 bar	RF63Si D432	85404432
63 mm	G $\frac{1}{4}$ B	Bottom back	Stainless steel 304	1,6	-1/+5 bar	RF63Si D432	85405432
63 mm	G $\frac{1}{4}$ B	Bottom back	Stainless steel 304	1,6	-1/+9 bar	RF63Si D432	85406432
63 mm	G $\frac{1}{4}$ B	Bottom back	Stainless steel 304	1,6	-1/+15 bar	RF63Si D432	85407432
63 mm	G $\frac{1}{4}$ B	Bottom back	Stainless steel 304	1,6	0/0.6 bar	RF63Si D432	85409432
63 mm	G $\frac{1}{4}$ B	Bottom back	Stainless steel 304	1,6	0/1 bar	RF63Si D432	85410432
63 mm	G $\frac{1}{4}$ B	Bottom back	Stainless steel 304	1,6	0/1.6 bar	RF63Si D432	85411432
63 mm	G $\frac{1}{4}$ B	Bottom back	Stainless steel 304	1,6	0/2.5 bar	RF63Si D432	85412432
63 mm	G $\frac{1}{4}$ B	Bottom back	Stainless steel 304	1,6	0/4 bar	RF63Si D432	85413432
63 mm	G $\frac{1}{4}$ B	Bottom back	Stainless steel 304	1,6	0/6 bar	RF63Si D432	85414432
63 mm	G $\frac{1}{4}$ B	Bottom back	Stainless steel 304	1,6	0/10 bar	RF63Si D432	85415432

Blue part no. = in-stock items





Housing Ø	Connection	Alignment	Housing	Accuracy class	Range	Type	Part no.
63 mm	G¼B	Bottom back	Stainless steel 304	1,6	0/16 bar	RF63Si D432	85416432
63 mm	G¼B	Bottom back	Stainless steel 304	1,6	0/25 bar	RF63Si D432	85417432
63 mm	G¼B	Bottom back	Stainless steel 304	1,6	0/40 bar	RF63Si D432	85418432
63 mm	G¼B	Bottom back	Stainless steel 304	1,6	0/60 bar	RF63Si D432	85419432
63 mm	G¼B	Bottom back	Stainless steel 304	1,6	0/100 bar	RF63Si D432	85420432
63 mm	G¼B	Bottom back	Stainless steel 304	1,6	0/160 bar	RF63Si D432	85421432
63 mm	G¼B	Bottom back	Stainless steel 304	1,6	0/250 bar	RF63Si D432	85422432
63 mm	G¼B	Bottom back	Stainless steel 304	1,6	0/400 bar	RF63Si D432	85423432
63 mm	G¼B	Bottom back	Stainless steel 304	2,5	0/600 bar	RF63Si D432	85424432
63 mm	G¼B	Bottom back	Stainless steel 304	2,5	0/1,000 bar	RF63Si D432	85425432

Blue part no. = in-stock items