

## Safety temperature cut outs STB With capillary tube



### Benefits

- Ideal for heating and process industries
- For protection against exceeding the maximum temperature
- No external power supply
- Manual reset

### Application

There are many application areas for safety temperature cut outs in the heating and process industries. In conventional oil-fired or gas-fired boilers, these devices are used to monitor the boiler water. The safety temperature cut outs feature a manual reset button which must be actuated for unlocking.

### Description

If the temperature at the probe increases, the measuring liquid in the measuring system expands. If the temperature exceeds a critical value, the device triggers, the voltage-free contact switches and the system is set to a defined safe state. When the temperature has decreased by approx. 15 K, the device can be unlocked and the system resumes operation.

### Technical specifications

**Type**  
LS1

**Switching point**  
See ordering table

**Tolerance**  
+0 K/-6 K at 20 °C

**Influence of ambient temperature**  
0.25 °C/°C

**Switching differential**  
 $\Delta T$  15 ± 8 K

**Fail safe**  
Yes

**Probe**  
Copper  
∅ 6.5 x 95 mm

**Probe element**  
Liquid-filled

**Operating temperature range**  
Housing: Max. 85 °C

**Capillary tube**  
Cu capillary tube with  
PVC coating, black  
Length: 1,000, 1,500 mm

**Degree of protection**  
IP 00 (EN 60529)

**Time constant**  
DIN-tested  
DIN EN  
14597:2012-09  
Registration number: TR/STB 1211

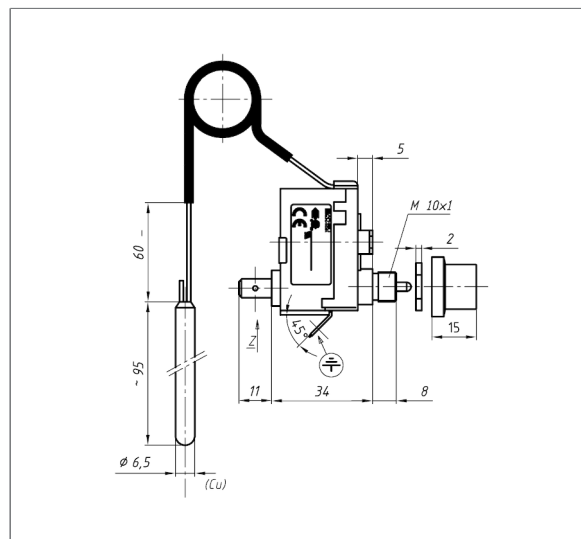
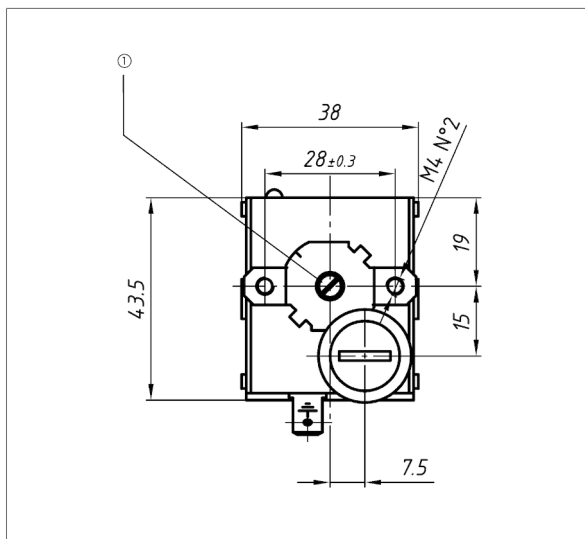
**Electrical switching contact**  
Yyyyyyyyyy or Changeover contact

**Contact rating**  
NC: AC 250 V, 16 (2.5) A  
NO: AC 250 V, 0.5 A

## Options

- Other operating ranges
- Other capillary tube lengths
- Customised versions

## Technical drawings



## Versions

	Contact	Switching point	Capillary length	Part no.
Safety temperature cut outs STB LS1/971 F1	Yyyyyyyyyy	100 °C	1,000 mm	67273X
Safety temperature cut outs STB LS1/971 FU	Changeover contact	100 °C	1,000 mm	67276X
Safety temperature cut outs STB LS1/971 FU	Changeover contact	100 °C	1,500 mm	67277X
Safety temperature cut outs STB LS1/971 F1	Yyyyyyyyyy	110 °C	1,500 mm	67288X
Safety temperature cut outs STB LS1/971 FU	Changeover contact	75 °C	1,500 mm	67585X

Blue part no. = in-stock items