



## Standard spring-diaphragm pressure gauges for differential pressure - overload protected



### Benefits

- Direct indication of the differential pressure
- High overload protection
- Zero correction
- With integrated pressure damping

### Application

For differential pressure measurement at low differential pressure and high static pressure. For non-corrosive gaseous and liquid media which are not highly viscous. Particularly suitable for monitoring filters, pumps and pipe systems.

### Technical specifications

#### Type

MF100dif D401

#### Nominal size

100

#### Accuracy class (EN 837-3/6)

2,5

#### Ranges

See ordering table

25 bar

#### Overpressure safety

Up to the maximum static pressure at both ends

#### Operating temperature range

Medium: Max. 60 °C

Ambient: -20/+60 °C

#### Temperature performance

Indication error when the temperature of the measuring system deviates from the normal temperature of 20 °C:  
of full scale value

#### Degree of protection

IP 54 (EN 60529)



## Standard version

### Connection

Brass nickel-plated, bottom, parallel, one behind the other

### Measuring element

Compression spring, Stainless steel 301

### Diaphragm

FKM (Viton)

### Measuring flange

Aluminium, anodized

### Movement

Brass

### Dial

Aluminium, white

Scaling black

### Pointer

Aluminium, black

### Housing

Stainless steel 304

### Bayonet type bezel

Stainless steel 304

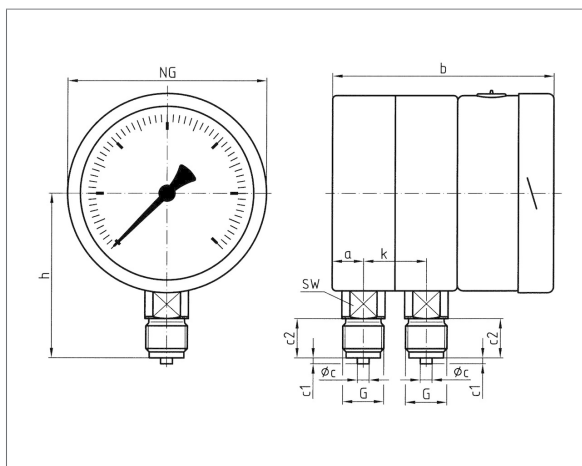
### Window

Laminated safety glass

## Options

- Back flange
- Special scales
- Other process connections

## Technical drawings



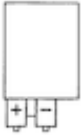
### Dimensions (mm)

NG	a	b	∅c	c1	c2	G	h	k	SW
100	16	112,5	6	3	20	G½B	84	32	22



## Versions

MF100Dif D401

	Housing $\varnothing$	Housing	Accuracy class	Connection	Range	Type	Part no.
	100 mm	Stainless steel 304	2,5	2 x G $\frac{1}{2}$ B	0/250 mbar	MF100Dif D401	88086401
	100 mm	Stainless steel 304	2,5	2 x G $\frac{1}{2}$ B	0/400 mbar	MF100Dif D401	88087401
	100 mm	Stainless steel 304	2,5	2 x G $\frac{1}{2}$ B	0/600 mbar	MF100Dif D401	88088401
	100 mm	Stainless steel 304	2,5	2 x G $\frac{1}{2}$ B	0/1 bar	MF100Dif D401	88089401
	100 mm	Stainless steel 304	2,5	2 x G $\frac{1}{2}$ B	0/1.6 bar	MF100Dif D401	88090401
	100 mm	Stainless steel 304	2,5	2 x G $\frac{1}{2}$ B	0/2.5 bar	MF100Dif D401	88091401
	100 mm	Stainless steel 304	2,5	2 x G $\frac{1}{2}$ B	0/4 bar	MF100Dif D401	88092401
	100 mm	Stainless steel 304	2,5	2 x G $\frac{1}{2}$ B	0/6 bar	MF100Dif D401	88093401

Blue part no. = in-stock items