

Overpressure safety device



Application

Adjustable overpressure safety device used to protect the system against peak pressures exceeding the range of the pressure gauge. At measuring points which are subject to great pressure variations, you can install different pressure gauges with different ranges in order to precisely measure even the lower pressures. The overpressure safety devices are adjusted according to the maximum pressure ratings of the various pressure gauges installed.

Technical specifications

Function

When the set pressure is reached, a piston valve blocks the port to the pressure gauge. After the pressure has dropped to a value of approx. 25 % below the closing pressure, the valve opens again.

Operating temperature range

Max. 80 °C

Overpressure safety

Stainless steel 316 Ti: 1000 bar

Brass: 600 bar

Max. vacuum range

up to -1 bar, no ad-

justment function

Connection

G $\frac{1}{2}$ female/female connection x male

Material

Housing: Stainless steel 316 Ti or Brass

Piston: Stainless steel 316 Ti

Female/female con-

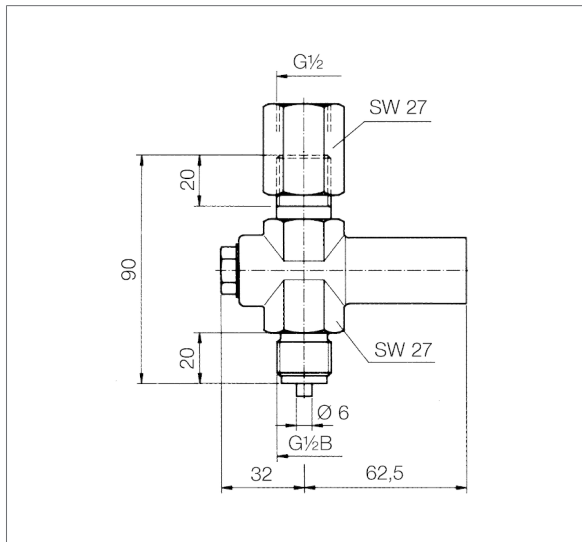
nection:

Diaphragm: FKM (Viton)

O ring: FKM (Viton)



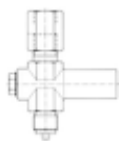
Technical drawings



Versions

Overpressure safety device female/female connection x male

Connection	Adjustment range	Material	Part no.
G $\frac{1}{2}$	0.4/2.5 bar	Stainless steel 316 Ti	63139
G $\frac{1}{2}$	2/6 bar	Stainless steel 316 Ti	63140
G $\frac{1}{2}$	5/25 bar	Stainless steel 316 Ti	63141
G $\frac{1}{2}$	20/60 bar	Stainless steel 316 Ti	63142
G $\frac{1}{2}$	50/250 bar	Stainless steel 316 Ti	63143
G $\frac{1}{2}$	240/400 bar	Stainless steel 316 Ti	63144
G $\frac{1}{2}$	0.4/2.5 bar	Brass	63131
G $\frac{1}{2}$	2/6 bar	Brass	63132
G $\frac{1}{2}$	5/25 bar	Brass	63133
G $\frac{1}{2}$	20/60 bar	Brass	63134
G $\frac{1}{2}$	50/250 bar	Brass	63135
G $\frac{1}{2}$	240/400 bar	Brass	63136



Blue part no. = in-stock items