



Standard capsule pressure gauges for differential pressure type D4



Benefits

- Measurement of extremely small differential pressures
- Robust design
- Static pressures up to 400 mbar
- Direct indication of the differential pressure
- Many customised versions available

Application

For differential pressure measurement of non-corrosive, gaseous, dry media. Especially suitable for filter loss measurement in air conditioning and ventilation applications.

! For measuring gas or vapour, observe the table "Selection Criteria as per EN 837-2" (see appendix)!

Technical specifications

Type

D4

Nominal size

100 – 160

Accuracy class

EN 837-3/6

≤ 0/16 mbar: 4,0

≥ 0/25 mbar: 1,6

Ranges (EN 837-3/5)

See ordering table

Application area

Static load: Full scale value

Dynamic load: 0.9 x full scale value

Standard version

Connection

Stainless steel 316 Bottom, parallel, one behind the other

Ti/316 L:

Brass: Centre back, parallel, below each other

Zero correction

From the front

Overpressure safety

Full scale value

400 mbar

Operating temperature range

Medium: Max. 60 °C

Ambient: -20/+60 °C

Temperature performance

Indication error when the temperature of the measuring system deviates from the normal temperature of 20 °C: of full scale value

Degree of protection

IP 66 (EN 60529)

Bayonet type bezel

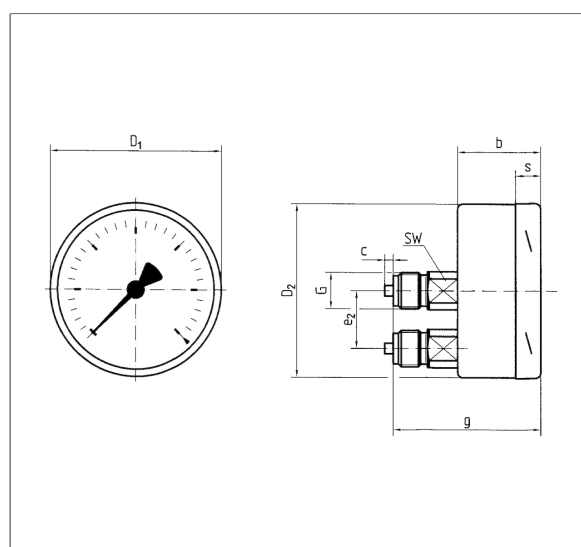
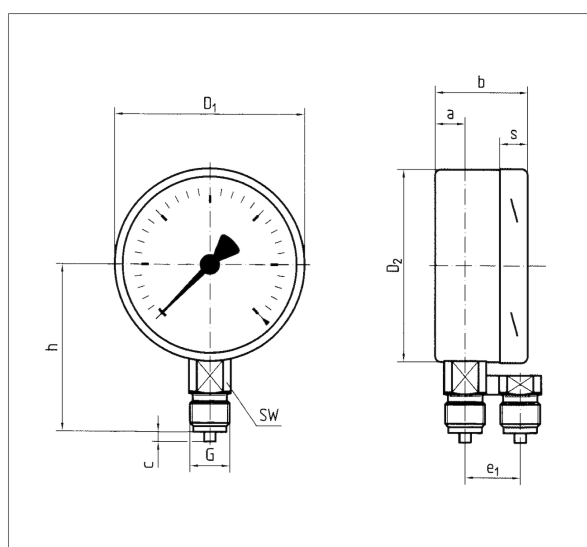
Stainless steel 304



Options

- Back flange
- 3-hole fixing, panel mounting bezel
- Special scales
- Other process connections

Technical drawings



Dimensions (mm)

NG	a	b	c	D1	D2	e1	G	h	s	SW
100	16	49	3	101	99	32	G½B	86	20	22
160	16	49	3	161	159	32	G½B	118	20	22

Dimensions (mm)

NG	b	c	D1	D2	e2	g	G	s	SW
100	49	3	101	99	34,5	79	G½B	20	22
160	49	3	161	159	34,5	79	G½B	20	22

Versions

KP100Dif D401

Housing ∅	Housing	Accuracy class	Connection	Range	Type	Part no.
100 mm	Stainless steel 304	4,0	2 x G½B	0/6 mbar	KP100Dif D401	35563401
100 mm	Stainless steel 304	4,0	2 x G½B	0/10 mbar	KP100Dif D401	35564401
100 mm	Stainless steel 304	4,0	2 x G½B	0/16 mbar	KP100Dif D401	35565401
100 mm	Stainless steel 304	1,6	2 x G½B	0/25 mbar	KP100Dif D401	35566401
100 mm	Stainless steel 304	1,6	2 x G½B	0/40 mbar	KP100Dif D401	35567401
100 mm	Stainless steel 304	1,6	2 x G½B	0/60 mbar	KP100Dif D401	35568401
100 mm	Stainless steel 304	1,6	2 x G½B	0/100 mbar	KP100Dif D401	35569401

Blue part no. = in-stock items



Housing \varnothing	Housing	Accuracy class	Connection	Range	Type	Part no.
100 mm	Stainless steel 304	1,6	2 x G $\frac{1}{2}$ B	0/160 mbar	KP100Dif D401	35570401
100 mm	Stainless steel 304	1,6	2 x G $\frac{1}{2}$ B	0/250 mbar	KP100Dif D401	35571401
100 mm	Stainless steel 304	1,6	2 x G $\frac{1}{2}$ B	0/400 mbar	KP100Dif D401	35572401

Blue part no. = in-stock items

KP160Dif D401

Housing \varnothing	Housing	Accuracy class	Connection	Range	Type	Part no.
160 mm	Stainless steel 304	4,0	2 x G $\frac{1}{2}$ B	0/4 mbar	KP160Dif D401	35612401
160 mm	Stainless steel 304	4,0	2 x G $\frac{1}{2}$ B	0/6 mbar	KP160Dif D401	35613401
160 mm	Stainless steel 304	4,0	2 x G $\frac{1}{2}$ B	0/10 mbar	KP160Dif D401	35614401
160 mm	Stainless steel 304	4,0	2 x G $\frac{1}{2}$ B	0/16 mbar	KP160Dif D401	35615401
160 mm	Stainless steel 304	1,6	2 x G $\frac{1}{2}$ B	0/25 mbar	KP160Dif D401	35616401
160 mm	Stainless steel 304	1,6	2 x G $\frac{1}{2}$ B	0/40 mbar	KP160Dif D401	35617401
160 mm	Stainless steel 304	1,6	2 x G $\frac{1}{2}$ B	0/60 mbar	KP160Dif D401	35618401
160 mm	Stainless steel 304	1,6	2 x G $\frac{1}{2}$ B	0/100 mbar	KP160Dif D401	35619401
160 mm	Stainless steel 304	1,6	2 x G $\frac{1}{2}$ B	0/160 mbar	KP160Dif D401	35620401
160 mm	Stainless steel 304	1,6	2 x G $\frac{1}{2}$ B	0/250 mbar	KP160Dif D401	35621401
160 mm	Stainless steel 304	1,6	2 x G $\frac{1}{2}$ B	0/400 mbar	KP160Dif D401	35622401

Blue part no. = in-stock items

KP100Dif D411

Housing \varnothing	Housing	Accuracy class	Connection	Range	Type	Part no.
100 mm	Stainless steel 304	4,0	2 x G $\frac{1}{2}$ B	0/6 mbar	KP100Dif D411	35563411
100 mm	Stainless steel 304	4,0	2 x G $\frac{1}{2}$ B	0/10 mbar	KP100Dif D411	35564411
100 mm	Stainless steel 304	4,0	2 x G $\frac{1}{2}$ B	0/16 mbar	KP100Dif D411	35565411
100 mm	Stainless steel 304	1,6	2 x G $\frac{1}{2}$ B	0/25 mbar	KP100Dif D411	35566411
100 mm	Stainless steel 304	1,6	2 x G $\frac{1}{2}$ B	0/40 mbar	KP100Dif D411	35567411
100 mm	Stainless steel 304	1,6	2 x G $\frac{1}{2}$ B	0/60 mbar	KP100Dif D411	35568411
100 mm	Stainless steel 304	1,6	2 x G $\frac{1}{2}$ B	0/100 mbar	KP100Dif D411	35569411

Blue part no. = in-stock items



Housing \varnothing	Housing	Accuracy class	Connection	Range	Type	Part no.
100 mm	Stainless steel 304	1,6	2 x G $\frac{1}{2}$ B	0/160 mbar	KP100Dif D411	35570411
100 mm	Stainless steel 304	1,6	2 x G $\frac{1}{2}$ B	0/250 mbar	KP100Dif D411	35571411
100 mm	Stainless steel 304	1,6	2 x G $\frac{1}{2}$ B	0/400 mbar	KP100Dif D411	35572411

Blue part no. = in-stock items

KP160Dif D411

Housing \varnothing	Housing	Accuracy class	Connection	Range	Type	Part no.
160 mm	Stainless steel 304	4,0	2 x G $\frac{1}{2}$ B	0/4 mbar	KP160Dif D411	35612411
160 mm	Stainless steel 304	4,0	2 x G $\frac{1}{2}$ B	0/6 mbar	KP160Dif D411	35613411
160 mm	Stainless steel 304	4,0	2 x G $\frac{1}{2}$ B	0/10 mbar	KP160Dif D411	35614411
160 mm	Stainless steel 304	4,0	2 x G $\frac{1}{2}$ B	0/16 mbar	KP160Dif D411	35615411
160 mm	Stainless steel 304	1,6	2 x G $\frac{1}{2}$ B	0/25 mbar	KP160Dif D411	35616411
160 mm	Stainless steel 304	1,6	2 x G $\frac{1}{2}$ B	0/40 mbar	KP160Dif D411	35617411
160 mm	Stainless steel 304	1,6	2 x G $\frac{1}{2}$ B	0/60 mbar	KP160Dif D411	35618411
160 mm	Stainless steel 304	1,6	2 x G $\frac{1}{2}$ B	0/100 mbar	KP160Dif D411	35619411
160 mm	Stainless steel 304	1,6	2 x G $\frac{1}{2}$ B	0/160 mbar	KP160Dif D411	35620411
160 mm	Stainless steel 304	1,6	2 x G $\frac{1}{2}$ B	0/250 mbar	KP160Dif D411	35621411
160 mm	Stainless steel 304	1,6	2 x G $\frac{1}{2}$ B	0/400 mbar	KP160Dif D411	35622411

Blue part no. = in-stock items