



Standard Bourdon tube pressure gauges for welding applications type D3



Benefits

- Design as per ISO 5171
- Rear blow-out
- Measuring system cleaned, oil-free and grease-free
- Many customised versions available

Application

For welding and cutting machines and systems as well as similar processes.

Technical specifications

Type
D3

Nominal size
63

Version
ISO 5171

Accuracy class
2,5

Ranges
See ordering table

Application area

Static load:	$\frac{1}{4}$ x full scale value
Dynamic load:	$\frac{2}{3}$ x full scale value
Short-term:	Full scale value

Operating temperature range

Medium:	Max. 60 °C
Ambient:	-20/+60 °C

Temperature performance
Indication error when the temperature of the measuring system deviates from the normal temperature of 20 °C:
of full scale value

Degree of protection
IP 32 (EN 60529)



Standard version

Connection

Brass, bottom
With damping in the pressure inlet channel

Measuring element

Bourdon tube, Copper alloy
"C" type tube
> 40 bar: Helical tube

Movement

Brass

Dial

Aluminium, white
Scaling black

Pointer

Aluminium, black

Housing

Stainless steel 304

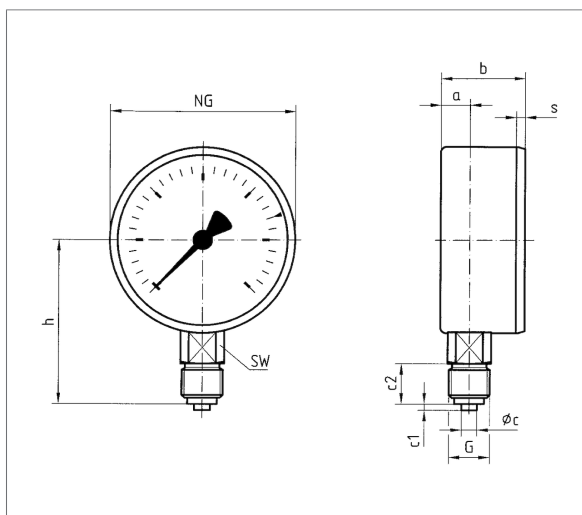
Window

Plastic, snapped in

Options

- Special scales

Technical drawings



Dimensions (mm)

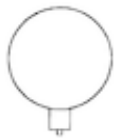
NG	a	b	øc	c1	c2	G	h	s	SW
50	10,5	29	5	2	13	G¼B	46	3,8	14
63	11	29,5	5	2	13	G¼B	53	3,7	14



Versions

RF63ST D301

Housing \varnothing	Connection	Alignment	Housing	Accuracy class	Range	Type	Part no.
63 mm	G $\frac{1}{4}$ B	Bottom	Stainless steel 304	2,5	0/1 bar	RF63ST D301	88300301
63 mm	G $\frac{1}{4}$ B	Bottom	Stainless steel 304	2,5	0/1.6 bar	RF63ST D301	88301301
63 mm	G $\frac{1}{4}$ B	Bottom	Stainless steel 304	2,5	0/2.5 bar	RF63ST D301	88302301
63 mm	G $\frac{1}{4}$ B	Bottom	Stainless steel 304	2,5	0/4 bar	RF63ST D301	88303301
63 mm	G $\frac{1}{4}$ B	Bottom	Stainless steel 304	2,5	0/6 bar	RF63ST D301	88304301
63 mm	G $\frac{1}{4}$ B	Bottom	Stainless steel 304	2,5	0/10 bar	RF63ST D301	88305301
63 mm	G $\frac{1}{4}$ B	Bottom	Stainless steel 304	2,5	0/10 bar	RF63ST D301	88306301
63 mm	G $\frac{1}{4}$ B	Bottom	Stainless steel 304	2,5	0/16 bar	RF63ST D301	88307301
63 mm	G $\frac{1}{4}$ B	Bottom	Stainless steel 304	2,5	0/25 bar	RF63ST D301	88308301
63 mm	G $\frac{1}{4}$ B	Bottom	Stainless steel 304	2,5	0/40 bar	RF63ST D301	88309301
63 mm	G $\frac{1}{4}$ B	Bottom	Stainless steel 304	2,5	0/40 bar	RF63ST D301	88310301
63 mm	G $\frac{1}{4}$ B	Bottom	Stainless steel 304	2,5	0/250 bar	RF63ST D301	88314301
63 mm	G $\frac{1}{4}$ B	Bottom	Stainless steel 304	2,5	0/315 bar	RF63ST D301	88315301
63 mm	G $\frac{1}{4}$ B	Bottom	Stainless steel 304	2,5	0/315 bar	RF63ST D301	88316301
63 mm	G $\frac{1}{4}$ B	Bottom	Stainless steel 304	2,5	0/400 bar	RF63ST D301	88317301



Blue part no. = in-stock items