



## Precision Bourdon tube pressure gauges Type D4 - class 0.6



### Benefits

- High accuracy (class 0.6)
- Housing can be sealed
- Serial number on dial
- Suitable as measuring equipment as per QA requirements
- DNV- and GOSSTANDART-certified

### Application

For gaseous and liquid media which are not corrosive and not highly viscous and which do not crystallise. For high measuring accuracy.  
! For measuring gas or vapour, observe the table "Selection Criteria as per EN 837-2" (see appendix)!

### Technical specifications

#### Type

D4

#### Nominal size

160 – 250

#### Accuracy class (EN 837-1/6)

0,6

#### Ranges

See ordering table

#### Calibration medium

Air

> 40 bar: Water

#### Application area

Static load: Full scale value,  $\frac{3}{4}$  x full scale value

Dynamic load: 0.9 x full scale value,  $\frac{2}{3}$  x full scale value

Short-term: Full scale value

#### Operating temperature range

Medium: Max. 60 °C

Ambient: -20/+60 °C

#### Temperature performance

Indication error when the temperature of the measuring system deviates from the normal temperature of 20 °C:  
of full scale value

#### Degree of protection

IP 54 (EN 60529)

### Standard version

#### Connection

Brass, bottom or bottom back

Stainless steel 316 Ti/316 L, bottom or bottom back

#### Measuring element

Bourdon tube

≤ 100 bar: "C" type tube, Copper alloy

> 100 bar: Helical tube, stainless steel 316 Ti/316 L

#### Movement

Brass/nickel silver, jewel bearing

#### Dial

Aluminium, white

Scaling black

#### Pointer

Knife edge pointer

Aluminium, black

#### Housing

Stainless steel 304

#### Bayonet type bezel

Stainless steel 304

#### Window

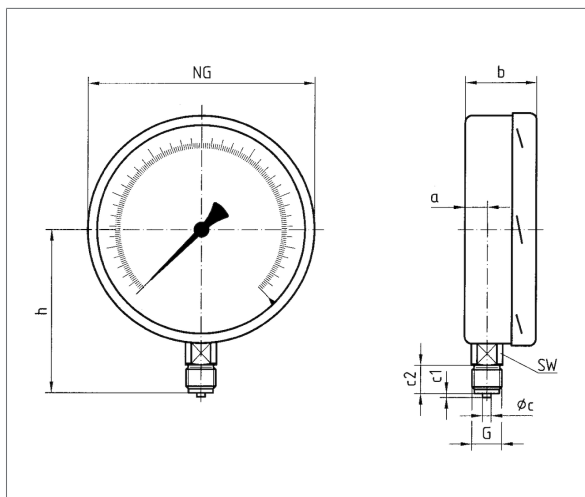
Plastic (PMMA)



## Options

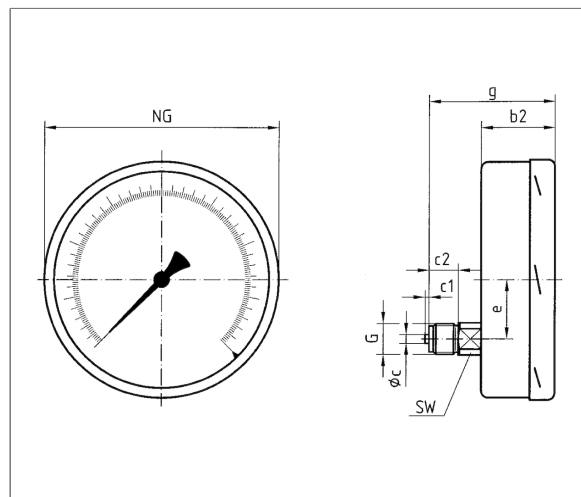
- Damping screw
- Special scales
- Other process connections

## Technical drawings



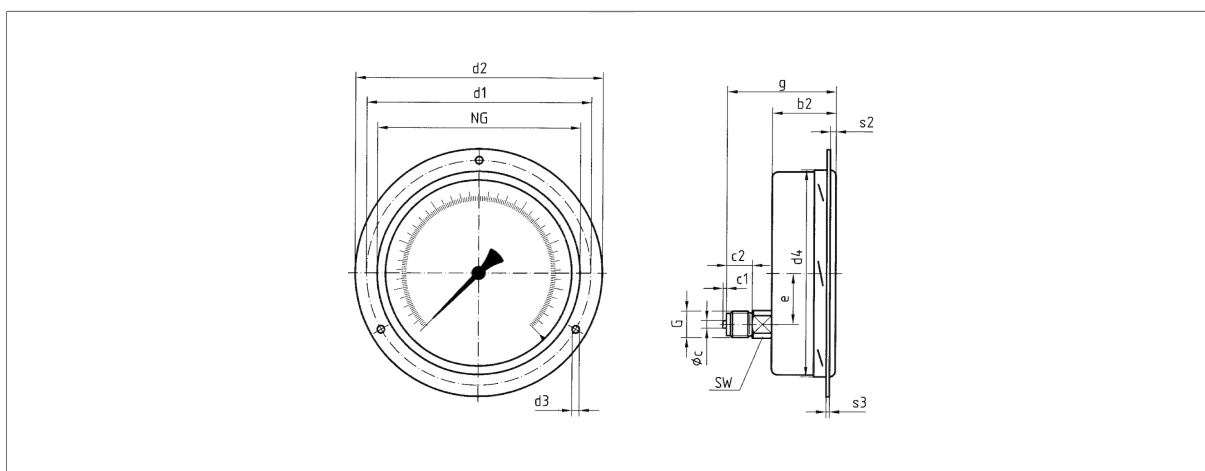
Dimensions (mm)

NG	a	b	∅c	c1	c2	G	h	SW
160	17,5	50	6	3	20	G½B	116	22
250	16	57	6	3	20	G½B	165	22



Dimensions (mm)

NG	b2	∅c	c1	c2	e	G	g	SW
160	50	6	3	20	44,5	G½B	82	22



Dimensions (mm)

NG	b2	∅c	c1	c2	d1*	d2	d3*	d4	e	G	g	s2	s3	SW
160	50	6	3	20	178	196	5,8	164	44,5	G½B	82	4	2	22



## Versions

### RF160F D401

Housing $\varnothing$	Connection	Alignment	Housing	Accuracy class	Range	Type	Part no.
160 mm	G½B	Bottom	Stainless steel 304	0,6	-1/0 bar	RF160F D401	85701401
160 mm	G½B	Bottom	Stainless steel 304	0,6	-1/+0.6 bar	RF160F D401	85702401
160 mm	G½B	Bottom	Stainless steel 304	0,6	-1/+1.5 bar	RF160F D401	85703401
160 mm	G½B	Bottom	Stainless steel 304	0,6	-1/+3 bar	RF160F D401	85704401
160 mm	G½B	Bottom	Stainless steel 304	0,6	-1/+5 bar	RF160F D401	85705401
160 mm	G½B	Bottom	Stainless steel 304	0,6	-1/+9 bar	RF160F D401	85706401
160 mm	G½B	Bottom	Stainless steel 304	0,6	-1/+15 bar	RF160F D401	85707401
160 mm	G½B	Bottom	Stainless steel 304	0,6	0/0.6 bar	RF160F D401	85709401
160 mm	G½B	Bottom	Stainless steel 304	0,6	0/1 bar	RF160F D401	85710401
160 mm	G½B	Bottom	Stainless steel 304	0,6	0/1.6 bar	RF160F D401	85711401
160 mm	G½B	Bottom	Stainless steel 304	0,6	0/2.5 bar	RF160F D401	85712401
160 mm	G½B	Bottom	Stainless steel 304	0,6	0/4 bar	RF160F D401	<a href="#">85713401</a>
160 mm	G½B	Bottom	Stainless steel 304	0,6	0/6 bar	RF160F D401	<a href="#">85714401</a>
160 mm	G½B	Bottom	Stainless steel 304	0,6	0/10 bar	RF160F D401	<a href="#">85715401</a>
160 mm	G½B	Bottom	Stainless steel 304	0,6	0/16 bar	RF160F D401	<a href="#">85716401</a>
160 mm	G½B	Bottom	Stainless steel 304	0,6	0/25 bar	RF160F D401	<a href="#">85717401</a>
160 mm	G½B	Bottom	Stainless steel 304	0,6	0/40 bar	RF160F D401	85718401
160 mm	G½B	Bottom	Stainless steel 304	0,6	0/60 bar	RF160F D401	85719401
160 mm	G½B	Bottom	Stainless steel 304	0,6	0/100 bar	RF160F D401	85720401
160 mm	G½B	Bottom	Stainless steel 304	0,6	0/160 bar	RF160F D401	85721401
160 mm	G½B	Bottom	Stainless steel 304	0,6	0/250 bar	RF160F D401	85722401
160 mm	G½B	Bottom	Stainless steel 304	0,6	0/400 bar	RF160F D401	85723401



Blue part no. = in-stock items



**RF160F D411**

Housing $\varnothing$	Connection	Alignment	Housing	Accuracy class	Range	Type	Part no.
160 mm	G $\frac{1}{2}$ B	Bottom back	Stainless steel 304	0,6	-1/0 bar	RF160F D411	85701411
160 mm	G $\frac{1}{2}$ B	Bottom back	Stainless steel 304	0,6	-1/+0.6 bar	RF160F D411	85702411
160 mm	G $\frac{1}{2}$ B	Bottom back	Stainless steel 304	0,6	-1/+1.5 bar	RF160F D411	85703411
160 mm	G $\frac{1}{2}$ B	Bottom back	Stainless steel 304	0,6	-1/+3 bar	RF160F D411	85704411
160 mm	G $\frac{1}{2}$ B	Bottom back	Stainless steel 304	0,6	-1/+5 bar	RF160F D411	85705411
160 mm	G $\frac{1}{2}$ B	Bottom back	Stainless steel 304	0,6	-1/+9 bar	RF160F D411	85706411
160 mm	G $\frac{1}{2}$ B	Bottom back	Stainless steel 304	0,6	-1/+15 bar	RF160F D411	85707411
160 mm	G $\frac{1}{2}$ B	Bottom back	Stainless steel 304	0,6	0/0.6 bar	RF160F D411	85709411
160 mm	G $\frac{1}{2}$ B	Bottom back	Stainless steel 304	0,6	0/1 bar	RF160F D411	85710411
160 mm	G $\frac{1}{2}$ B	Bottom back	Stainless steel 304	0,6	0/1.6 bar	RF160F D411	85711411
160 mm	G $\frac{1}{2}$ B	Bottom back	Stainless steel 304	0,6	0/2.5 bar	RF160F D411	85712411
160 mm	G $\frac{1}{2}$ B	Bottom back	Stainless steel 304	0,6	0/4 bar	RF160F D411	85713411
160 mm	G $\frac{1}{2}$ B	Bottom back	Stainless steel 304	0,6	0/6 bar	RF160F D411	85714411
160 mm	G $\frac{1}{2}$ B	Bottom back	Stainless steel 304	0,6	0/10 bar	RF160F D411	85715411
160 mm	G $\frac{1}{2}$ B	Bottom back	Stainless steel 304	0,6	0/16 bar	RF160F D411	85716411
160 mm	G $\frac{1}{2}$ B	Bottom back	Stainless steel 304	0,6	0/25 bar	RF160F D411	85717411
160 mm	G $\frac{1}{2}$ B	Bottom back	Stainless steel 304	0,6	0/40 bar	RF160F D411	85718411
160 mm	G $\frac{1}{2}$ B	Bottom back	Stainless steel 304	0,6	0/60 bar	RF160F D411	85719411
160 mm	G $\frac{1}{2}$ B	Bottom back	Stainless steel 304	0,6	0/100 bar	RF160F D411	85720411
160 mm	G $\frac{1}{2}$ B	Bottom back	Stainless steel 304	0,6	0/160 bar	RF160F D411	85721411
160 mm	G $\frac{1}{2}$ B	Bottom back	Stainless steel 304	0,6	0/250 bar	RF160F D411	85722411
160 mm	G $\frac{1}{2}$ B	Bottom back	Stainless steel 304	0,6	0/400 bar	RF160F D411	85723411



Blue part no. = in-stock items



**RF160F D431**

Housing $\varnothing$	Connection	Alignment	Housing	Accuracy class	Range	Type	Part no.
160 mm	G $\frac{1}{2}$ B	Bottom back	Stainless steel 304	0,6	-1/0 bar	RF160F D431	85701431
160 mm	G $\frac{1}{2}$ B	Bottom back	Stainless steel 304	0,6	-1/+0.6 bar	RF160F D431	85702431
160 mm	G $\frac{1}{2}$ B	Bottom back	Stainless steel 304	0,6	-1/+1.5 bar	RF160F D431	85703431
160 mm	G $\frac{1}{2}$ B	Bottom back	Stainless steel 304	0,6	-1/+3 bar	RF160F D431	85704431
160 mm	G $\frac{1}{2}$ B	Bottom back	Stainless steel 304	0,6	-1/+5 bar	RF160F D431	85705431
160 mm	G $\frac{1}{2}$ B	Bottom back	Stainless steel 304	0,6	-1/+9 bar	RF160F D431	85706431
160 mm	G $\frac{1}{2}$ B	Bottom back	Stainless steel 304	0,6	-1/+15 bar	RF160F D431	85707431
160 mm	G $\frac{1}{2}$ B	Bottom back	Stainless steel 304	0,6	0/0.6 bar	RF160F D431	85709431
160 mm	G $\frac{1}{2}$ B	Bottom back	Stainless steel 304	0,6	0/1 bar	RF160F D431	85710431
160 mm	G $\frac{1}{2}$ B	Bottom back	Stainless steel 304	0,6	0/1.6 bar	RF160F D431	85711431
160 mm	G $\frac{1}{2}$ B	Bottom back	Stainless steel 304	0,6	0/2.5 bar	RF160F D431	85712431
160 mm	G $\frac{1}{2}$ B	Bottom back	Stainless steel 304	0,6	0/4 bar	RF160F D431	85713431
160 mm	G $\frac{1}{2}$ B	Bottom back	Stainless steel 304	0,6	0/6 bar	RF160F D431	85714431
160 mm	G $\frac{1}{2}$ B	Bottom back	Stainless steel 304	0,6	0/10 bar	RF160F D431	85715431
160 mm	G $\frac{1}{2}$ B	Bottom back	Stainless steel 304	0,6	0/16 bar	RF160F D431	85716431
160 mm	G $\frac{1}{2}$ B	Bottom back	Stainless steel 304	0,6	0/25 bar	RF160F D431	85717431
160 mm	G $\frac{1}{2}$ B	Bottom back	Stainless steel 304	0,6	0/40 bar	RF160F D431	85718431
160 mm	G $\frac{1}{2}$ B	Bottom back	Stainless steel 304	0,6	0/60 bar	RF160F D431	85719431
160 mm	G $\frac{1}{2}$ B	Bottom back	Stainless steel 304	0,6	0/100 bar	RF160F D431	85720431
160 mm	G $\frac{1}{2}$ B	Bottom back	Stainless steel 304	0,6	0/160 bar	RF160F D431	85721431
160 mm	G $\frac{1}{2}$ B	Bottom back	Stainless steel 304	0,6	0/250 bar	RF160F D431	85722431
160 mm	G $\frac{1}{2}$ B	Bottom back	Stainless steel 304	0,6	0/400 bar	RF160F D431	85723431

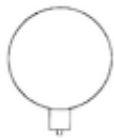


Blue part no. = in-stock items



**RF160ChF D402**

Housing $\varnothing$	Connection	Alignment	Housing	Accuracy class	Range	Type	Part no.
160 mm	G $\frac{1}{2}$ B	Bottom	Stainless steel 304	0,6	-1/0 bar	RF160ChF D402	85701402
160 mm	G $\frac{1}{2}$ B	Bottom	Stainless steel 304	0,6	-1/+0.6 bar	RF160ChF D402	85702402
160 mm	G $\frac{1}{2}$ B	Bottom	Stainless steel 304	0,6	-1/+1.5 bar	RF160ChF D402	85703402
160 mm	G $\frac{1}{2}$ B	Bottom	Stainless steel 304	0,6	-1/+3 bar	RF160ChF D402	85704402
160 mm	G $\frac{1}{2}$ B	Bottom	Stainless steel 304	0,6	-1/+5 bar	RF160ChF D402	85705402
160 mm	G $\frac{1}{2}$ B	Bottom	Stainless steel 304	0,6	-1/+9 bar	RF160ChF D402	85706402
160 mm	G $\frac{1}{2}$ B	Bottom	Stainless steel 304	0,6	-1/+15 bar	RF160ChF D402	85707402
160 mm	G $\frac{1}{2}$ B	Bottom	Stainless steel 304	0,6	0/0.6 bar	RF160ChF D402	85709402
160 mm	G $\frac{1}{2}$ B	Bottom	Stainless steel 304	0,6	0/1 bar	RF160ChF D402	85710402
160 mm	G $\frac{1}{2}$ B	Bottom	Stainless steel 304	0,6	0/1.6 bar	RF160ChF D402	85711402
160 mm	G $\frac{1}{2}$ B	Bottom	Stainless steel 304	0,6	0/2.5 bar	RF160ChF D402	85712402
160 mm	G $\frac{1}{2}$ B	Bottom	Stainless steel 304	0,6	0/4 bar	RF160ChF D402	85713402
160 mm	G $\frac{1}{2}$ B	Bottom	Stainless steel 304	0,6	0/6 bar	RF160ChF D402	85714402
160 mm	G $\frac{1}{2}$ B	Bottom	Stainless steel 304	0,6	0/10 bar	RF160ChF D402	85715402
160 mm	G $\frac{1}{2}$ B	Bottom	Stainless steel 304	0,6	0/16 bar	RF160ChF D402	85716402
160 mm	G $\frac{1}{2}$ B	Bottom	Stainless steel 304	0,6	0/25 bar	RF160ChF D402	85717402
160 mm	G $\frac{1}{2}$ B	Bottom	Stainless steel 304	0,6	0/40 bar	RF160ChF D402	85718402
160 mm	G $\frac{1}{2}$ B	Bottom	Stainless steel 304	0,6	0/60 bar	RF160ChF D402	85719402
160 mm	G $\frac{1}{2}$ B	Bottom	Stainless steel 304	0,6	0/100 bar	RF160ChF D402	85720402
160 mm	G $\frac{1}{2}$ B	Bottom	Stainless steel 304	0,6	0/160 bar	RF160ChF D402	85721402
160 mm	G $\frac{1}{2}$ B	Bottom	Stainless steel 304	0,6	0/250 bar	RF160ChF D402	85722402
160 mm	G $\frac{1}{2}$ B	Bottom	Stainless steel 304	0,6	0/400 bar	RF160ChF D402	85723402

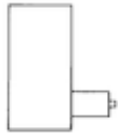


Blue part no. = in-stock items



**RF160ChF D412**

Housing $\varnothing$	Connection	Alignment	Housing	Accuracy class	Range	Type	Part no.
160 mm	G $\frac{1}{2}$ B	Bottom back	Stainless steel 304	0,6	-1/0 bar	RF160ChF D412	85701412
160 mm	G $\frac{1}{2}$ B	Bottom back	Stainless steel 304	0,6	-1/+0.6 bar	RF160ChF D412	85702412
160 mm	G $\frac{1}{2}$ B	Bottom back	Stainless steel 304	0,6	-1/+1.5 bar	RF160ChF D412	85703412
160 mm	G $\frac{1}{2}$ B	Bottom back	Stainless steel 304	0,6	-1/+3 bar	RF160ChF D412	85704412
160 mm	G $\frac{1}{2}$ B	Bottom back	Stainless steel 304	0,6	-1/+5 bar	RF160ChF D412	85705412
160 mm	G $\frac{1}{2}$ B	Bottom back	Stainless steel 304	0,6	-1/+9 bar	RF160ChF D412	85706412
160 mm	G $\frac{1}{2}$ B	Bottom back	Stainless steel 304	0,6	-1/+15 bar	RF160ChF D412	85707412
160 mm	G $\frac{1}{2}$ B	Bottom back	Stainless steel 304	0,6	0/0.6 bar	RF160ChF D412	85709412
160 mm	G $\frac{1}{2}$ B	Bottom back	Stainless steel 304	0,6	0/1 bar	RF160ChF D412	85710412
160 mm	G $\frac{1}{2}$ B	Bottom back	Stainless steel 304	0,6	0/1.6 bar	RF160ChF D412	85711412
160 mm	G $\frac{1}{2}$ B	Bottom back	Stainless steel 304	0,6	0/2.5 bar	RF160ChF D412	85712412
160 mm	G $\frac{1}{2}$ B	Bottom back	Stainless steel 304	0,6	0/4 bar	RF160ChF D412	85713412
160 mm	G $\frac{1}{2}$ B	Bottom back	Stainless steel 304	0,6	0/6 bar	RF160ChF D412	85714412
160 mm	G $\frac{1}{2}$ B	Bottom back	Stainless steel 304	0,6	0/10 bar	RF160ChF D412	85715412
160 mm	G $\frac{1}{2}$ B	Bottom back	Stainless steel 304	0,6	0/16 bar	RF160ChF D412	85716412
160 mm	G $\frac{1}{2}$ B	Bottom back	Stainless steel 304	0,6	0/25 bar	RF160ChF D412	85717412
160 mm	G $\frac{1}{2}$ B	Bottom back	Stainless steel 304	0,6	0/40 bar	RF160ChF D412	85718412
160 mm	G $\frac{1}{2}$ B	Bottom back	Stainless steel 304	0,6	0/60 bar	RF160ChF D412	85719412
160 mm	G $\frac{1}{2}$ B	Bottom back	Stainless steel 304	0,6	0/100 bar	RF160ChF D412	85720412
160 mm	G $\frac{1}{2}$ B	Bottom back	Stainless steel 304	0,6	0/160 bar	RF160ChF D412	85721412
160 mm	G $\frac{1}{2}$ B	Bottom back	Stainless steel 304	0,6	0/250 bar	RF160ChF D412	85722412
160 mm	G $\frac{1}{2}$ B	Bottom back	Stainless steel 304	0,6	0/400 bar	RF160ChF D412	85723412



Blue part no. = in-stock items



**RF160ChF D432**

Housing $\varnothing$	Connection	Alignment	Housing	Accuracy class	Range	Type	Part no.
160 mm	G $\frac{1}{2}$ B	Bottom back	Stainless steel 304	0,6	-1/0 bar	RF160ChF D432	85701432
160 mm	G $\frac{1}{2}$ B	Bottom back	Stainless steel 304	0,6	-1/+0.6 bar	RF160ChF D432	85702432
160 mm	G $\frac{1}{2}$ B	Bottom back	Stainless steel 304	0,6	-1/+1.5 bar	RF160ChF D432	85703432
160 mm	G $\frac{1}{2}$ B	Bottom back	Stainless steel 304	0,6	-1/+3 bar	RF160ChF D432	85704432
160 mm	G $\frac{1}{2}$ B	Bottom back	Stainless steel 304	0,6	-1/+5 bar	RF160ChF D432	85705432
160 mm	G $\frac{1}{2}$ B	Bottom back	Stainless steel 304	0,6	-1/+9 bar	RF160ChF D432	85706432
160 mm	G $\frac{1}{2}$ B	Bottom back	Stainless steel 304	0,6	-1/+15 bar	RF160ChF D432	85707432
160 mm	G $\frac{1}{2}$ B	Bottom back	Stainless steel 304	0,6	0/0.6 bar	RF160ChF D432	85709432
160 mm	G $\frac{1}{2}$ B	Bottom back	Stainless steel 304	0,6	0/1 bar	RF160ChF D432	85710432
160 mm	G $\frac{1}{2}$ B	Bottom back	Stainless steel 304	0,6	0/1.6 bar	RF160ChF D432	85711432
160 mm	G $\frac{1}{2}$ B	Bottom back	Stainless steel 304	0,6	0/2.5 bar	RF160ChF D432	85712432
160 mm	G $\frac{1}{2}$ B	Bottom back	Stainless steel 304	0,6	0/4 bar	RF160ChF D432	85713432
160 mm	G $\frac{1}{2}$ B	Bottom back	Stainless steel 304	0,6	0/6 bar	RF160ChF D432	85714432
160 mm	G $\frac{1}{2}$ B	Bottom back	Stainless steel 304	0,6	0/10 bar	RF160ChF D432	85715432
160 mm	G $\frac{1}{2}$ B	Bottom back	Stainless steel 304	0,6	0/16 bar	RF160ChF D432	85716432
160 mm	G $\frac{1}{2}$ B	Bottom back	Stainless steel 304	0,6	0/25 bar	RF160ChF D432	85717432
160 mm	G $\frac{1}{2}$ B	Bottom back	Stainless steel 304	0,6	0/40 bar	RF160ChF D432	85718432
160 mm	G $\frac{1}{2}$ B	Bottom back	Stainless steel 304	0,6	0/60 bar	RF160ChF D432	85719432
160 mm	G $\frac{1}{2}$ B	Bottom back	Stainless steel 304	0,6	0/100 bar	RF160ChF D432	85720432
160 mm	G $\frac{1}{2}$ B	Bottom back	Stainless steel 304	0,6	0/160 bar	RF160ChF D432	85721432
160 mm	G $\frac{1}{2}$ B	Bottom back	Stainless steel 304	0,6	0/250 bar	RF160ChF D432	85722432
160 mm	G $\frac{1}{2}$ B	Bottom back	Stainless steel 304	0,6	0/400 bar	RF160ChF D432	85723432



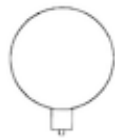
Blue part no. = in-stock items





**RF250F D401**

Housing $\varnothing$	Connection	Alignment	Housing	Accuracy class	Range	Type	Part no.
250 mm	G $\frac{1}{2}$ B	Bottom	Stainless steel 304	0,6	-1/0 bar	RF250F D401	85751401
250 mm	G $\frac{1}{2}$ B	Bottom	Stainless steel 304	0,6	-1/+0.6 bar	RF250F D401	85752401
250 mm	G $\frac{1}{2}$ B	Bottom	Stainless steel 304	0,6	-1/+1.5 bar	RF250F D401	85753401
250 mm	G $\frac{1}{2}$ B	Bottom	Stainless steel 304	0,6	-1/+3 bar	RF250F D401	85754401
250 mm	G $\frac{1}{2}$ B	Bottom	Stainless steel 304	0,6	-1/+5 bar	RF250F D401	85755401
250 mm	G $\frac{1}{2}$ B	Bottom	Stainless steel 304	0,6	-1/+9 bar	RF250F D401	85756401
250 mm	G $\frac{1}{2}$ B	Bottom	Stainless steel 304	0,6	-1/+15 bar	RF250F D401	85757401
250 mm	G $\frac{1}{2}$ B	Bottom	Stainless steel 304	0,6	0/0.6 bar	RF250F D401	85759401
250 mm	G $\frac{1}{2}$ B	Bottom	Stainless steel 304	0,6	0/1 bar	RF250F D401	85760401
250 mm	G $\frac{1}{2}$ B	Bottom	Stainless steel 304	0,6	0/1.6 bar	RF250F D401	85761401
250 mm	G $\frac{1}{2}$ B	Bottom	Stainless steel 304	0,6	0/2.5 bar	RF250F D401	85762401
250 mm	G $\frac{1}{2}$ B	Bottom	Stainless steel 304	0,6	0/4 bar	RF250F D401	85763401
250 mm	G $\frac{1}{2}$ B	Bottom	Stainless steel 304	0,6	0/6 bar	RF250F D401	85764401
250 mm	G $\frac{1}{2}$ B	Bottom	Stainless steel 304	0,6	0/10 bar	RF250F D401	85765401
250 mm	G $\frac{1}{2}$ B	Bottom	Stainless steel 304	0,6	0/16 bar	RF250F D401	85766401
250 mm	G $\frac{1}{2}$ B	Bottom	Stainless steel 304	0,6	0/25 bar	RF250F D401	85767401
250 mm	G $\frac{1}{2}$ B	Bottom	Stainless steel 304	0,6	0/40 bar	RF250F D401	85768401
250 mm	G $\frac{1}{2}$ B	Bottom	Stainless steel 304	0,6	0/60 bar	RF250F D401	85769401
250 mm	G $\frac{1}{2}$ B	Bottom	Stainless steel 304	0,6	0/100 bar	RF250F D401	85770401
250 mm	G $\frac{1}{2}$ B	Bottom	Stainless steel 304	0,6	0/160 bar	RF250F D401	85771401
250 mm	G $\frac{1}{2}$ B	Bottom	Stainless steel 304	0,6	0/250 bar	RF250F D401	85772401
250 mm	G $\frac{1}{2}$ B	Bottom	Stainless steel 304	0,6	0/400 bar	RF250F D401	85773401



Blue part no. = in-stock items