

Resistance thermometers WTh 20



Benefits

- Plug-in type resistance thermometer with PT 100 sensor
- Probe length 50 mm up to cable length 2,000 mm
- Cable extension possible

Application

Plug-in type resistance thermometer

Technical specifications

Sensor

1 x Pt100
3-wire
Class B, IEC 751

Probe

∅ 6 x 50 mm
Stainless steel 316 Ti

Electrical connection

Cable with wire ferrules

Cable

PVC, heat-resistant

Measuring range

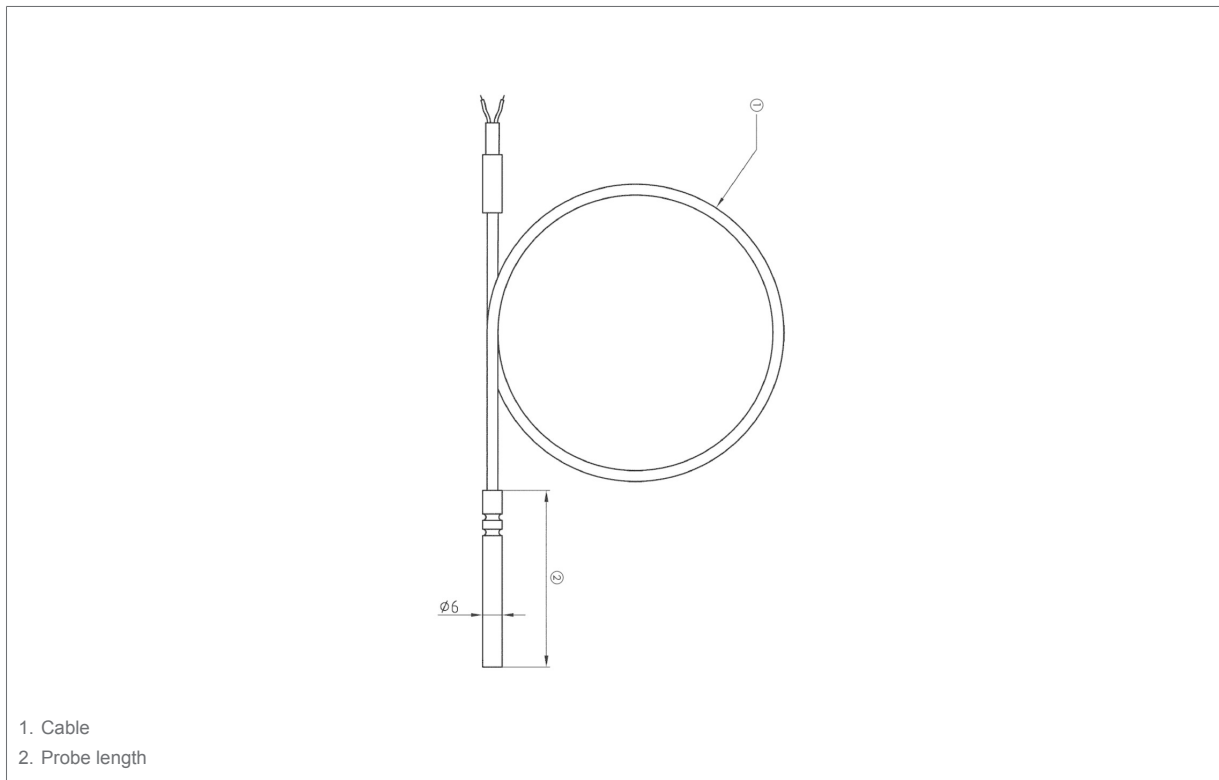
Mounting position fixed: -40/+105 °C
Mounting position moving: -5/+105 °C

Options

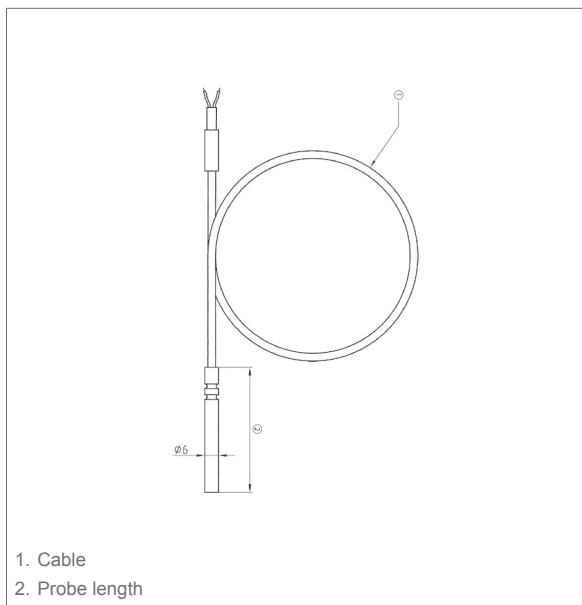
- Coated measuring line
- Sensor class A
- Sensor Pt1000
- Process connection as adjustable compression fitting or fixed male connection
- Connector ISO 4400
- Miniature circular plug
- Lemos connector
- Other probe diameters
- Other probe lengths
- Other cables: Silicone (-50/+180 °C), PTFE (-200/+260 °C), glass fibre with stainless steel braiding (-50/+400 °C)
- Bending protection



Detail views




Technical drawings





Versions

		Part no.
	Resistance thermometers WTh 20	32220

Blue part no. = in-stock items