



Magnetic diaphragm pressure gauges for very low differential pressure



Benefits

- Differential pressure ranges starting at 0/2.5 mbar
- Switching contacts can be retrofitted
- IP 65 degree of protection for pressure gauge and switching contact
- Side or back connection
- Delivery includes adapter for hose connection and brackets for control panel mounting

Application

For differential pressure measurement at very low differential pressure. Specially for gaseous media. Particularly suitable for monitoring filters and fans in air supply, air conditioning and clean room applications.

Technical specifications

Type
MAG115Dif D311

Nominal size
115

Accuracy
± 3 % of full scale value
(at increasing differential pressure)

Ranges (EN 837-3/5)
See ordering table

Standard version

Dial
Aluminium, white
Scaling black
90°

Pointer
Aluminium, black

Options

- Special scales

2.4 bar

Overpressure safety
Up to the maximum static pressure at both ends

Operating temperature range
Medium: Max. 60 °C
Ambient: 0/60 °C

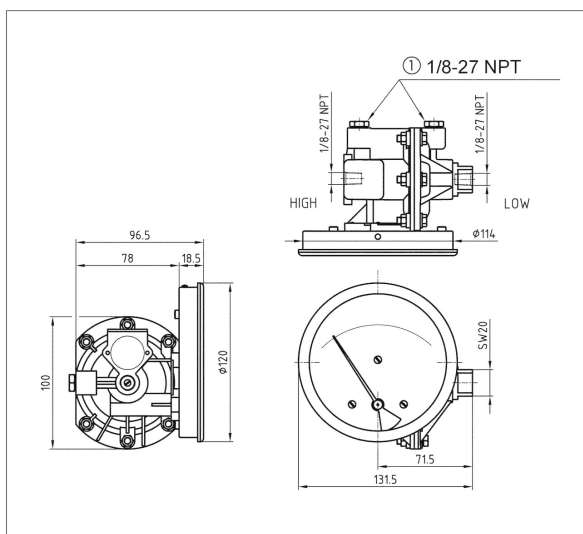
Degree of protection
IP 65 (EN 60529)

Housing
Stainless steel 304

Window
Instrument glass



Technical drawings



Versions

MAG115Dif D311

Housing \varnothing	Housing	Connection	Range	Type	Part no.
115 mm	Stainless steel 304	2 x 1/8"NPT Innengewinde, 2x hose connection 5 mm	0/2.5 mbar	MAG115Dif D311	88002311
115 mm	Stainless steel 304	2 x 1/8"NPT Innengewinde, 2x hose connection 5 mm	0/4 mbar	MAG115Dif D311	88003311
115 mm	Stainless steel 304	2 x 1/8"NPT Innengewinde, 2x hose connection 5 mm	0/6 mbar	MAG115Dif D311	88004311
115 mm	Stainless steel 304	2 x 1/8"NPT Innengewinde, 2x hose connection 5 mm	0/10 mbar	MAG115Dif D311	88005311
115 mm	Stainless steel 304	2 x 1/8"NPT Innengewinde, 2x hose connection 5 mm	0/16 mbar	MAG115Dif D311	88006311
115 mm	Stainless steel 304	2 x 1/8"NPT Innengewinde, 2x hose connection 5 mm	0/25 mbar	MAG115Dif D311	88007311
115 mm	Stainless steel 304	2 x 1/8"NPT Innengewinde, 2x hose connection 5 mm	0/40 mbar	MAG115Dif D311	88008311
115 mm	Stainless steel 304	2 x 1/8"NPT Innengewinde, 2x hose connection 5 mm	0/60 mbar	MAG115Dif D311	88009311
115 mm	Stainless steel 304	2 x 1/8"NPT Innengewinde, 2x hose connection 5 mm	0/100 mbar	MAG115Dif D311	88010311



Blue part no. = in-stock items